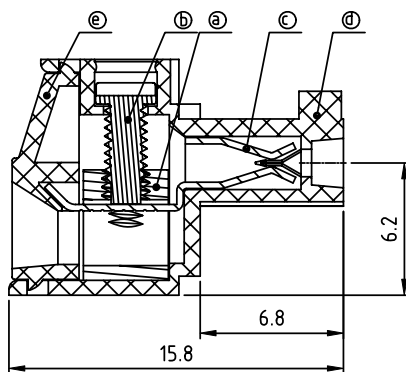
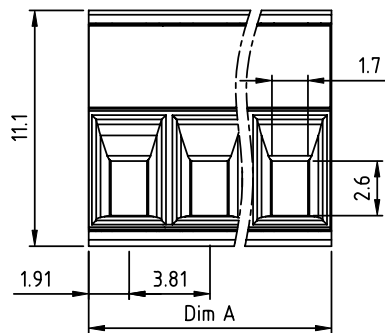
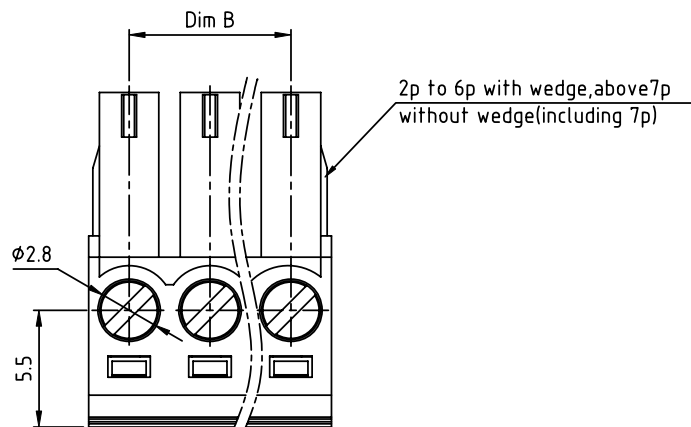


PRODUCT NUMBER	PITCH
TJxx31x300J0G	3.81 mm



Material

- Item ① Clamp: Brass(CuZn) Ni plated
- Item ② Terminal screw: Steel Zinc plating "-" slot type
- Item ③ Female contact: PhBz ,Tin plated
- Item ④ Terminal (housing): Thermoplastic (UL94V-0)
- Item ⑤ Terminal (cover): Thermoplastic (UL94V-0)

Electrical cULus/VDE

- Voltage rating: 300VAC/300VAC
- Current rating: 10A/10.5A
- Wire range: 1.5mm<sup>2</sup>
- Solid wire(AWG): 16-28
- Stranded wire(AWG): 16-28
- Torque: 3Lb-In/0.2Nm
- Screw: M2
- Wire strip length: 6-7mm
- Withstanding Voltage: 1.6KV/2.5KV
- Operating temperature: -40°C to +115°C
- Safety Approval:

PART NO.: TJ xx 31x 3 00J0 G

N = Number of poles

Dim A=Nx3.81

Dim B=(N-1)x3.81

Poles	Dim A	Dim B
2-6p	±0.15	±0.15
7-12p	±0.20	±0.20
13-18p	±0.25	±0.25
19-24p	±0.30	±0.30

No. of poles	Color	RoHS compliant (lead<4%) In copper Alloy
02 2 poles	0 Black (RAL9005)	
03 3 poles	2 Red (RAL3001/D)	
...	3 Orange(RAL2011/P)	
...	4 Yellow(RAL1018/A)	
24 24 poles	5 Green(RAL6018/T)	
	6 Blue (RAL5015/A)	
	8 Grey(RAL7035/D)	
	9 White(RAL1102)	
	C Green(RAL6018/U)	

mat'l. code		surface ASME Y14.5	tolerance ASME Y14.5	projection 	product family TERMINAL BLOCK
ltr	ecn no	dr	date	tolerances unless otherwise specified	title TERMINAL BLOCK PLUGGABLE PLUG,WITHOUT FLANGE
				angles X°±1°	
				scale	MM
dr	HANKE FENG	031414			dwg no TJxx31x300J0G
enr	HANKE FENG	031414			sheet 1 of 1
chr	SHI JUN	031414			size A4
appd	SHI JUN	031414			type CUSTOMER Drawing
sheet index	revision sheet	A	1		