

WITHOUT CPA	WITH CPA	CIRCUIT SIZE	POLARIZATION	CONNECTOR HOUSING COLOR	TESTED WITH THE FEMALE TERMINAL	CAVITY WITH A NUMBER INDICATES BLOCKED TERMINAL POSITION CAVITY WITHOUT A NUMBER INDICATES OPEN TERMINAL POSITION								TOTAL CIRCUITS PLUGGED	STATUS	WIRE DRESS COVER(OPTIONAL)		
						1	2	3	4	5	6	7	8			HORIZONTAL	VERTICAL	
						1	2	3	4	5	6	7	8					
31404-9100	31404-9110		A	BLACK								0	SALABLE					
31404-9101	31404-9111		A	BLACK			3					1	SALABLE					
31404-9102	31404-9112		A	BLACK			3	4				2	SALABLE					
31404-9103	31404-9113		A	BLACK		1					6	8	3	SALABLE				
31404-9104	31404-9114		A	BLACK		1	2	3	4				4	SALABLE				
31404-9105	31404-9115		A	BLACK		1	2	3	4			6	5	SALABLE				
31404-9106	31404-9116		A	BLACK			2		4	5	6	7	8	6	SALABLE			
31404-9107	31404-9117		A	BLACK								7	8	2	SALABLE			
31404-9108	31404-9118		A	BLACK						5		7	8	3	SALABLE			
31404-9109	31404-9119		A	BLACK					3	4	5			3	SALABLE			
31404-9121	31404-9131		A	BLACK						4				1	SALABLE			
31404-9122	31404-9132		A	BLACK					3			7		2	SALABLE			
31404-9123	31404-9133		A	BLACK		1		3				8		3	SALABLE			
31404-9124	31404-9134		A	BLACK		1	2				6	7	8	4	SALABLE			
31404-9125	31404-9135		A	BLACK		1	2				5	6	7	8	4	SALABLE		
31404-9126	31404-9136		A	BLACK		1	2	3	4		6	7		6	SALABLE			
31404-9127	31404-9137		A	BLACK					4	5	6	7		3	SALABLE			
31404-9128	31404-9138		A	BLACK					4	5	6			3	SALABLE			
31404-9129	31404-9139		A	BLACK						5		7		2	SALABLE			
31404-9141	31404-9151		A	BLACK							6			1	SALABLE			
31404-9142	31404-9152		A	BLACK			2				6			2	SALABLE			
31404-9143	31404-9153		A	BLACK		1		3			6			3	SALABLE			
31404-9144	31404-9154		A	BLACK							6	7	8	3	SALABLE			
31404-9161	31404-9171		A	BLACK			2				6			1	SALABLE			
31404-9162	31404-9172		A	BLACK		1	2				6			2	SALABLE			
31404-9163	31404-9173		A	BLACK		1	2				6			3	SALABLE			
31404-9182	31404-9192		A	BLACK				3			6			2	SALABLE			
31404-9183	31404-9193		A	BLACK		1		4			6			3	SALABLE			
31404-9501	31404-9511		A	LT.GRAY				3						1	SALABLE			
31404-9502	31404-9512		A	BLACK						5	6			2	SALABLE			
31404-9503	31404-9513		A	BLACK		1	2		4					3	SALABLE			
31404-9522	31404-9532		A	BLACK					4			7		2	SALABLE			
31404-9523	31404-9533		A	BLACK		1	2	3						3	SALABLE			
31404-9542	31404-9552		A	BLACK			2	3						2	SALABLE			
31404-9543	31404-9553		A	BLACK			2	3						3	SALABLE			
31404-9562	31404-9572		A	BLACK					4	5	6			2	SALABLE			
31404-9563	31404-9573		A	BLACK			2	3				7		3	SALABLE			
31404-9583	31404-9593		A	BLACK				3				7	8	3	SALABLE			
31404-9584	31404-9594		A	BLACK			2	3				7	8	4	SALABLE			
31404-9200	31404-9210		B	LT.GRAY										0	SALABLE			
31404-9203	31404-9213		B	LT.GRAY				3				7	8	3	SALABLE			
31404-9204	31404-9214		B	LT.GRAY			2	3				7	8	4	SALABLE			
31404-9300	31404-9310		C	DK.GRAY										0	SALABLE			
31404-9400	31404-9410		D	TBD										0	NOT TOOL			
31404-9001	31404-9006		B	BLACK										0	SALABLE			
31404-9002	31404-9007		C	BLACK										0	SALABLE			
31404-9003	31404-9008		C	LT.GRAY										0	SALABLE			
31404-9004	31404-9009		A	DK.GRAY										0	SALABLE			
31404-9005	31404-9010		B	DK.GRAY										0	SALABLE			
31404-9184	31404-9595		A	BLACK							6		8	2	SALABLE			
31404-9586	31404-9596		A	BLACK								7		1	SALABLE			

NOTES: VALID UNLESS OTHERWISE SPECIFIED

1. GENERAL:  
a. APPLICATION SPECIFICATION SEE: AS-31402-000  
- DESIGNED TO MATE WITH DEVICE CONNECTION AS SPECIFIED IN USCAR INTERFACE DRAWING FOR SINGLE ROW SEALED 0.64 SYSTEMS. 064-S-008-1-Z02.  
- ASSEMBLY SHIPPED WITH TPA IN PRE-SET POSITION (SEE SECTION Z-Z) UPON FULL TERMINAL ASSEMBLY. TPA MUST BE SNAPPED INTO ITS FINAL LOCK POSITION AFTER TERMINALS ARE ASSEMBLED (SEE SECTION Y-Y)  
- TPA'S MAY BECOME SEATED DURING TRANSIT. IF THIS OCCURS, TPA'S SHOULD BE MOVED TO THE PRE-LOCKED POSITION PRIOR TO FEMALE TERMINAL INSTALLATION.  
REFERENCE PRODUCT SPECIFICATION: PS-34646-001.  
- SYSTEM TO BE USED WITH WIRE WITHIN RANGE OF:  
->SAE 22 AWG TO 18 AWG  
->ISO 0.35MM<sup>2</sup> TO 0.75MM<sup>2</sup> PER GMW156256  
->CABLE OUTSIDE DIAMETER: FROM 1.2MM TO 1.9 MM  
b. PRODUCT SPECIFICATION SEE: PS-31404-001  
c. PACKAGING SPECIFICATION PER MOLEX DRAWING: PK-31300-256  
d. PARTS MUST BE IN COMPLIANCE TO MOLEX CHEMICAL SUBSTANCES FOR PRODUCTS AND PACKAGING SPECIFICATION: ES-40000-5016  
e. DATA MUST BE SUBMITTED UNDER THE MOLEX PART NUMBER TO IMDS (COMPANY ID#13255)

2. DESIGN - MATERIALS:  
a. SEE BOM TABLE IN PAGE 2

3. DESIGN - GEOMETRY:  
a. THIS IS A 100% CAD GENERATED PART. THE CAD MATHEMATICAL DATA IS THE MASTER FOR THIS PART. FOR DIMENSIONAL OR ANY INFORMATION  
b. DATE CODE: FIRST TWO DIGITS ARE THE CALENDAR YEAR (EXAMPLE: 13 = 2013). THIRD THROUGH 5TH DIGIT DAY # OF THE CALENDAR YEAR (EXAMPLE: FEB. 3RD = '034').  
c. VISUAL DEFECTS SHALL MEET COSMETIC STANDARD PS-45499-002 (Class B)

TABLE OF CONTENTS	
SHEET NO.	SHEET DESCRIPTION
1	NOTE
2	BOM
3	KEY CONFIGURATION
4	WIRE DRESS COVER ASSEMBLY

G12	REMOVE 31404-9585, ADD 31404-9184 BACK
G11	ADD P/N: 31404-9585/9595, 31404-9586/9596; Delete 31404-9184/9194
G10	ADD P/N: 31404-9184/9194
G9	UPDATE CONFIGURATION FOR P/N 31404-9144/9154
G8	ADD P/N: 31404-9001 TO 9010, 31404-9144/9154
G7	ADD P/N: 31404-9128/9138, 31404-9129/9139
G6	ADD P/N: 31404-9127/9137
G5	ADD P/N: 31404-9125/9135
G4	ADD P/N: 31404-9109/9119
G3	ADD P/N: 31404-9203/9213, DELETE OBSOLETE P/Ns (31404-8XXX)
G2	UPDATE COLOR DESCRIPTION
G1	ADD P/N: 31404-9107/9117, 31404-9108/9118
G	OBSOLETE P/N 31404-8XXX ADD NEW P/N 31404-9501/31404-9511
F	ADD P/N 31404-9583/9593, 31404-9584/9594 AND 31404-9204/9214 CHANGE STATUS FROM "TOOED" TO "SALABLE"
E6	CHANGE P/N 31401-9101 TO 31404-9101
E3	ADD P/N: 31404-8563/8573 AND 31404-9563/9573
E2	ADD P/N: 31404-8126/8136 AND 31404-9126/9136
E1	ADD P/N: 31404-8106/8116 AND 31404-9106/9116
E	ADD P/N:31404-9XXX BASED ON THE PRODUCT UPGRADE
D3	ADD P/N: 31404-8562, 31404-8572,
D2	ADD P/N: 31404-8161 AND 31404-8171 31404-8542 AND 31404-8552 AND MANUFACTURING LOCATION ID
D1	ADD P/N: 31404-8522 AND 31404-8532
D	ADD P/N: 31404-8502 AND 31404-8512
C2	UPDATE NOTE 1_a ADD TE TERMINAL IN THE LIST
C1	UPDATE TERMINAL AND WIRE INFORMATON
C	ADD WIRE DRESS CONVER P/N.
B	ADD P/N
A	INITIAL RELEASE SAP # 10647976
REV	REV DESCRIPTION

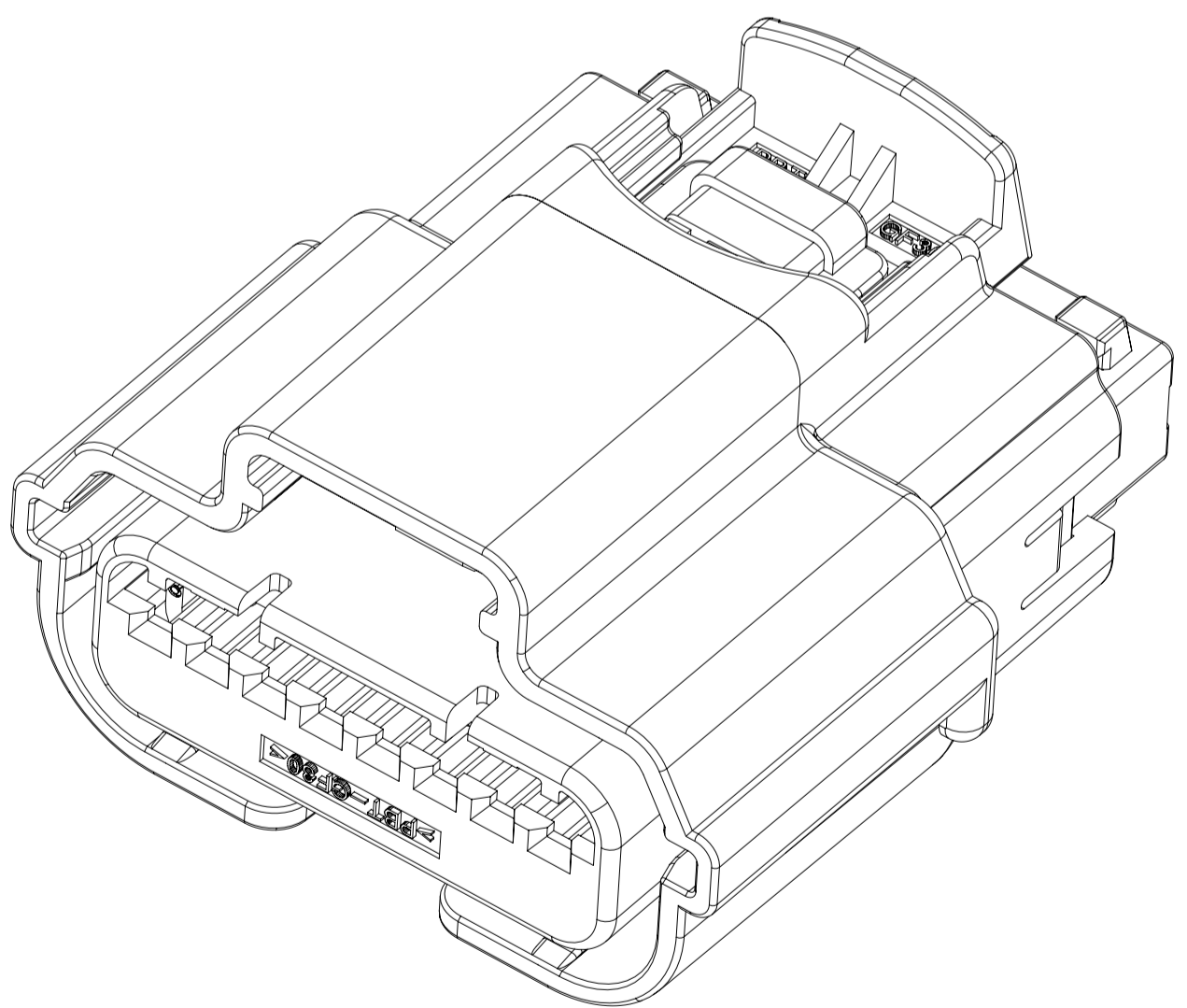
PART NUMBER LEGEND  
CONNECTOR ASSEMBLY  
31404-9XXX

↑↑↑

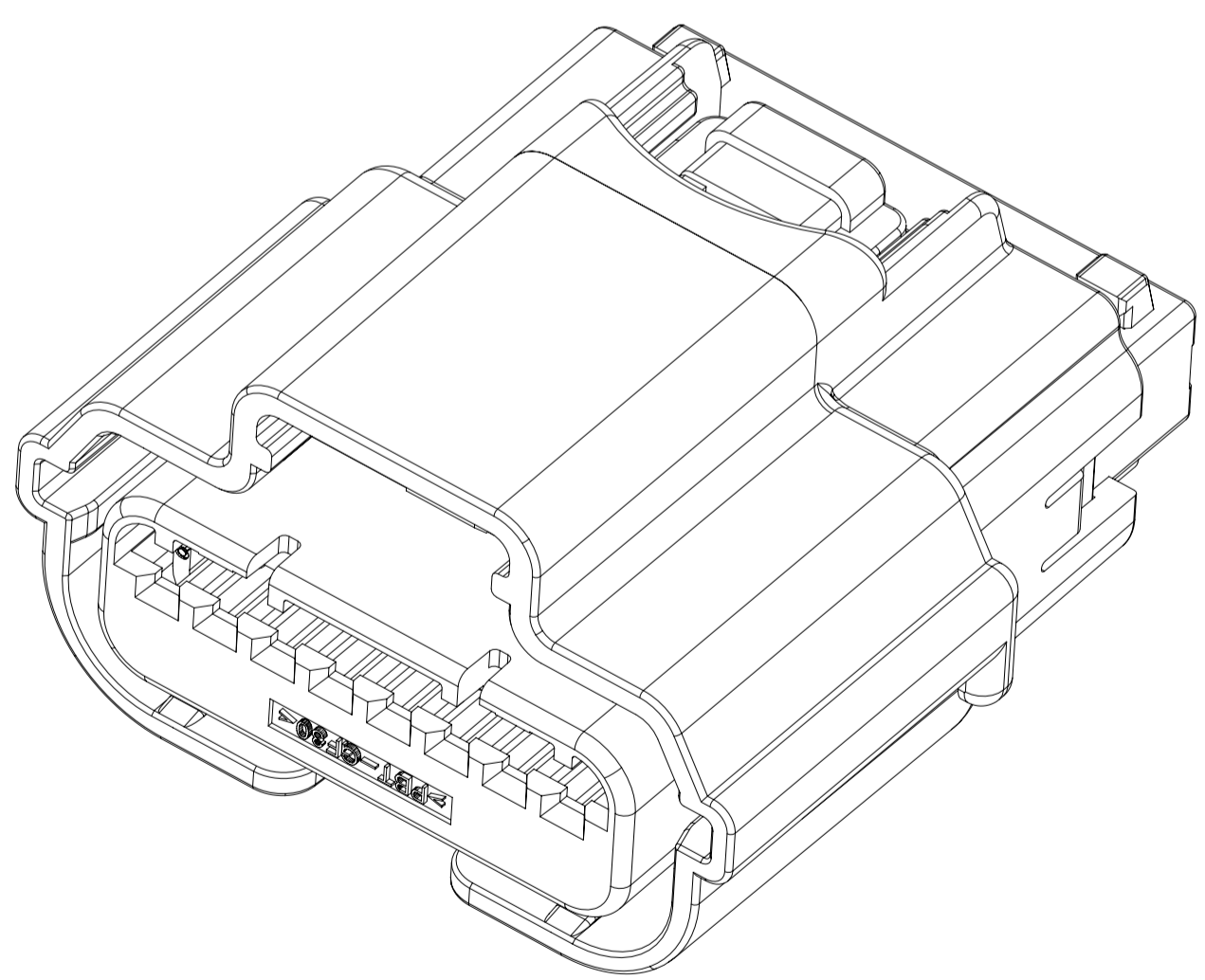
0 - ALL CIRCUITS OPEN  
1-9 - SEE CHART

CPA OPTION  
0, 2, 4, 6 OR 8 WITHOUT CPA  
1, 3, 5, 7 OR 9 WITH CPA

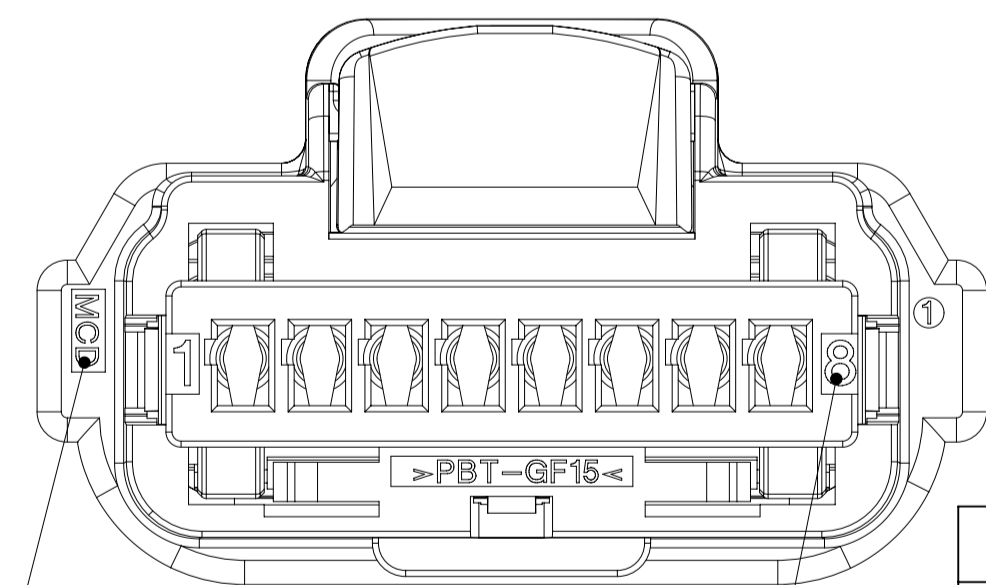
POLARIZATION OPTION  
1 OR 5- POLARIZATION A  
2 OR 6- POLARIZATION B  
3 OR 7- POLARIZATION C  
4 OR 8- POLARIZATION D



WITH CPA



WITHOUT CPA



MANUFACTURING LOCATION ID

CIRCUIT ID

INSPECTION BALLOON NUMBER LOG

PER DRAWING REVISION: F

LAST BALLOON NUMBER USED: 4

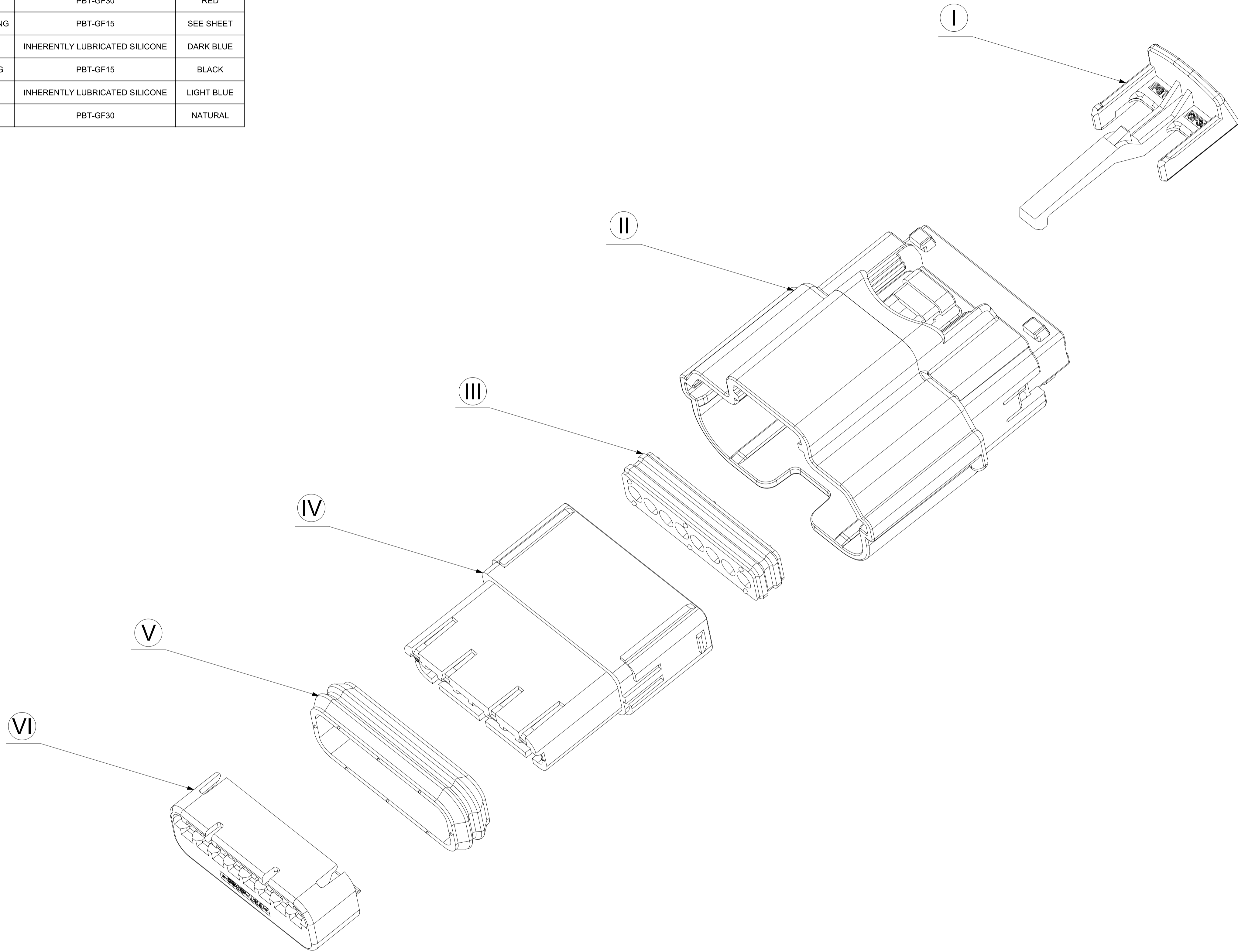
ADDED BALLOON NUMBERS:

REMOVED BALLOON NUMBERS:

<p>SYMBOLS</p> <p>▽ = 0</p> <p>▽ = 0</p> <p>▽ = 0</p> <p>▽ = 0</p> <p>▽ = 0</p> <p>▽ = 0</p> <p>▽ = 0</p> <p>▽ = 0</p> <p>▽ = 0</p> <p>▽ = 0</p> <p>▽ = 0</p> <p>▽ = 0</p> <p>▽ = 0</p> <p>▽ = 0</p> <p>▽ = 0</p> <p>▽ = 0</p> <p>▽ = 0</p> <p>▽ = 0</p>	<p>THIS DRAWING CONTAINS INFORMATION THAT IS PROPRIETARY TO MOLEX ELECTRONIC TECHNOLOGIES, LLC AND SHOULD NOT BE USED WITHOUT WRITTEN PERMISSION</p> <p>DIMENSION UNITS: <b>mm</b></p> <p>SCALE: <b>4:1</b></p> <p>GENERAL TOLERANCES (UNLESS SPECIFIED)</p> <p>ANGULAR TOL: ± 0.5°</p> <p>4 PLACES: ± 0</p> <p>3 PLACES: ± 0</p> <p>2 PLACES: ± 0</p> <p>1 PLACE: ± 0</p> <p>0 PLACES: ± 0</p> <p>DRAFT WHERE APPLICABLE MUST REMAIN WITHIN DIMENSIONS</p>	<p>CURRENT REV DESC:</p> <p>EC NO: CO-000000853</p> <p>DRWN: Yan Allen 15-Apr-2022</p> <p>CHK'D: Fiona Chen 15-Apr-2022</p> <p>APPR: Colin Zhang 20-Apr-2022</p> <p>INITIAL REVISION:</p> <p>DRWN: Yan Allen 14-Feb-2022</p> <p>APPR: David Xie 24-Feb-2022</p> <p>THIRD ANGLE PROJECTION</p>	<p><b>molex</b></p> <p>USCAR 0.64MM 8 WAY</p> <p>ADD NEW P/N: 314049184/9194</p> <p>PRODUCT SALES DRAWING</p>		
	<p>THIRD ANGLE PROJECTION</p> <p>DRAWING</p> <p>SERIES</p> <p><b>A1-SIZE</b></p> <p><b>31404</b></p>	<p>DOCUMENT NUMBER</p> <p><b>SD-31404-811</b></p>	<p>DOC TYPE</p> <p><b>PSD</b></p>	<p>DOC PART</p> <p><b>001</b></p>	<p>REVISION</p> <p><b>G12</b></p>
	<p>MATERIAL NUMBER</p> <p><b>GENERAL MARKET</b></p>	<p>CUSTOMER</p>	<p>SHEET NUMBER</p> <p><b>1 OF 4</b></p>		

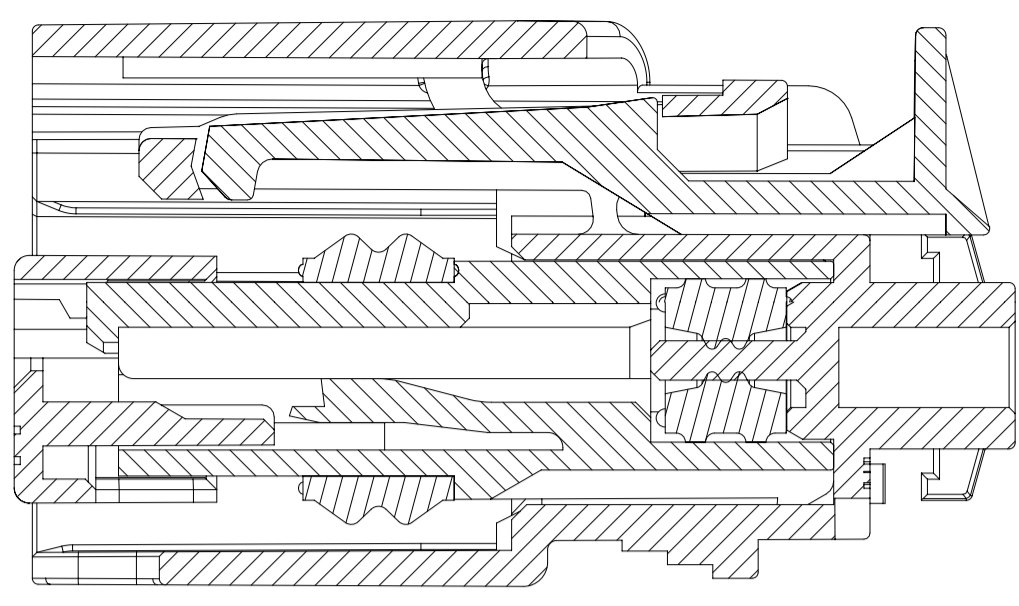
SHEET DESCRIPTION	
BOM	

ITEM NO.	DESCRIPTION	MATERIAL	COLOR
I	CPA	PBT-GF30	RED
II	CONNECTOR HOUSING	PBT-GF15	SEE SHEET
III	MATTE SEAL	INHERENTLY LUBRICATED SILICONE	DARK BLUE
IV	TERMINAL HOUSING	PBT-GF15	BLACK
V	PERIPHERAL SEAL	INHERENTLY LUBRICATED SILICONE	LIGHT BLUE
VI	TPA	PBT-GF30	NATURAL

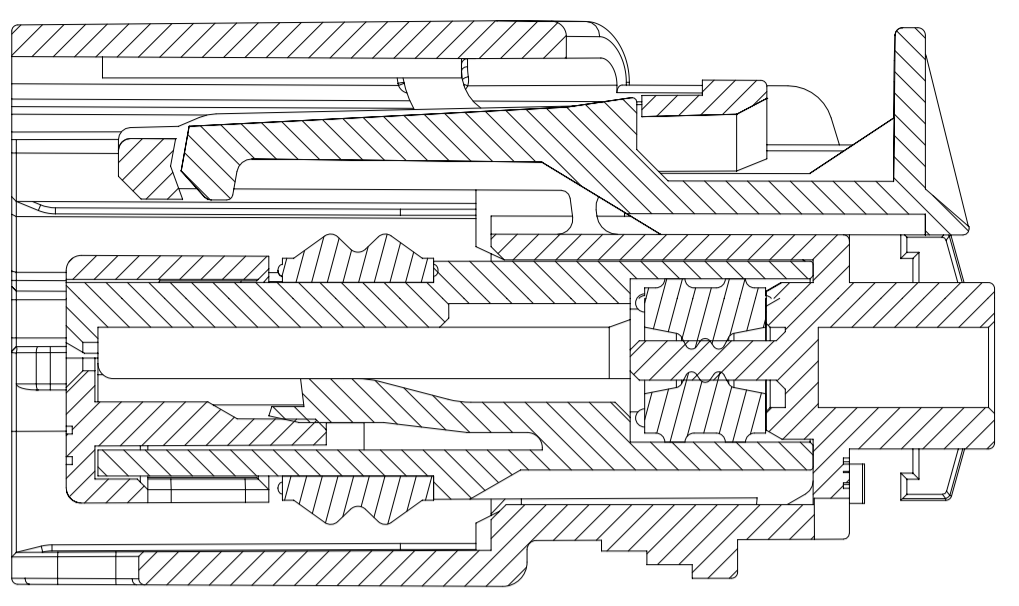


<b>SYMBOLS</b> = 0 = 0 = 0 = 0 = 0 = 0 = 0 = 0 = 0	THIS DRAWING CONTAINS INFORMATION THAT IS PROPRIETARY TO MOLEX ELECTRONIC TECHNOLOGIES, LLC AND SHOULD NOT BE USED WITHOUT WRITTEN PERMISSION DIMENSION UNITS: <b>mm</b> SCALE: <b>4:1</b>		CURRENT REV DESC: EC NO: CO-000000853 DRWN: Yan Allen    15-Apr-2022 CHK'D: Fiona Chen    15-Apr-2022 APPR: Colin Zhang    20-Apr-2022		 USCAR 0.64MM 8 WAY ADD NEW P/N: 314049184/9194		
	GENERAL TOLERANCES (UNLESS SPECIFIED) ANGULAR TOL ± 0.5° 4 PLACES ± 0 3 PLACES ± 0 2 PLACES ± 0 1 PLACE ± 0 0 PLACES ± 0		INITIAL REVISION: DRWN: Yan Allen    14-Feb-2022 APPR: David Xie    24-Feb-2022				
DRAFT WHERE APPLICABLE MUST REMAIN WITHIN DIMENSIONS		THIRD ANGLE PROJECTION	DRAWING: <b>A1-SIZE</b>	SERIES: <b>31404</b>	MATERIAL NUMBER:	CUSTOMER: <b>GENERAL MARKET</b>	SHEET NUMBER: <b>2 OF 4</b>

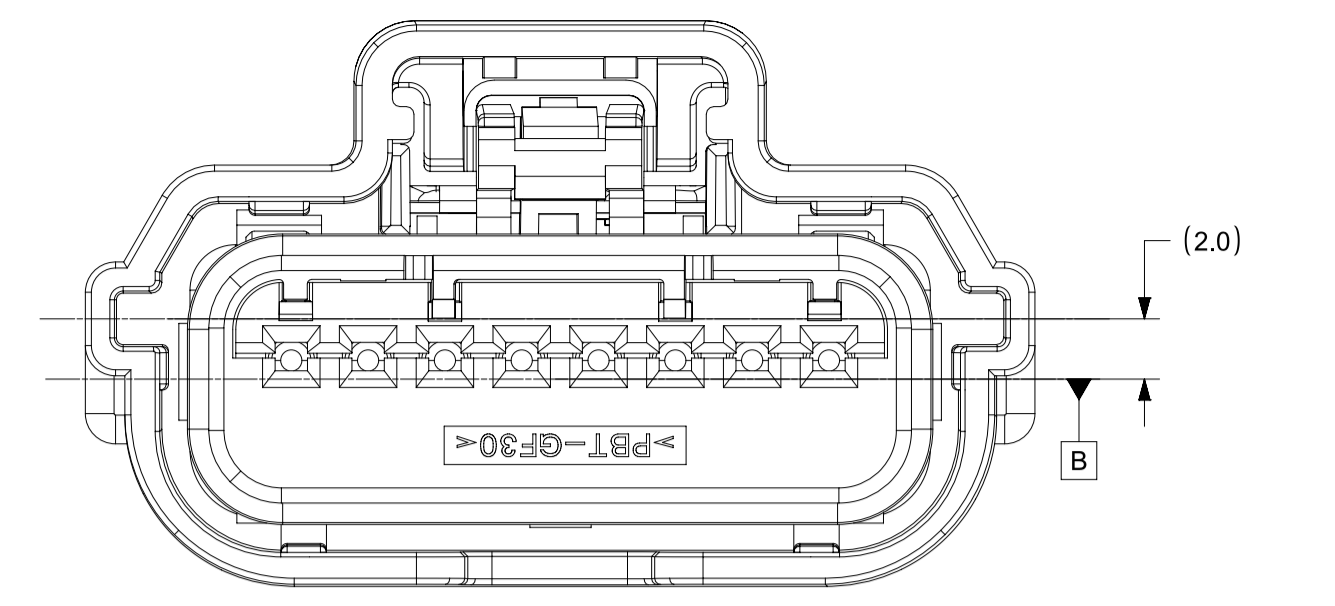
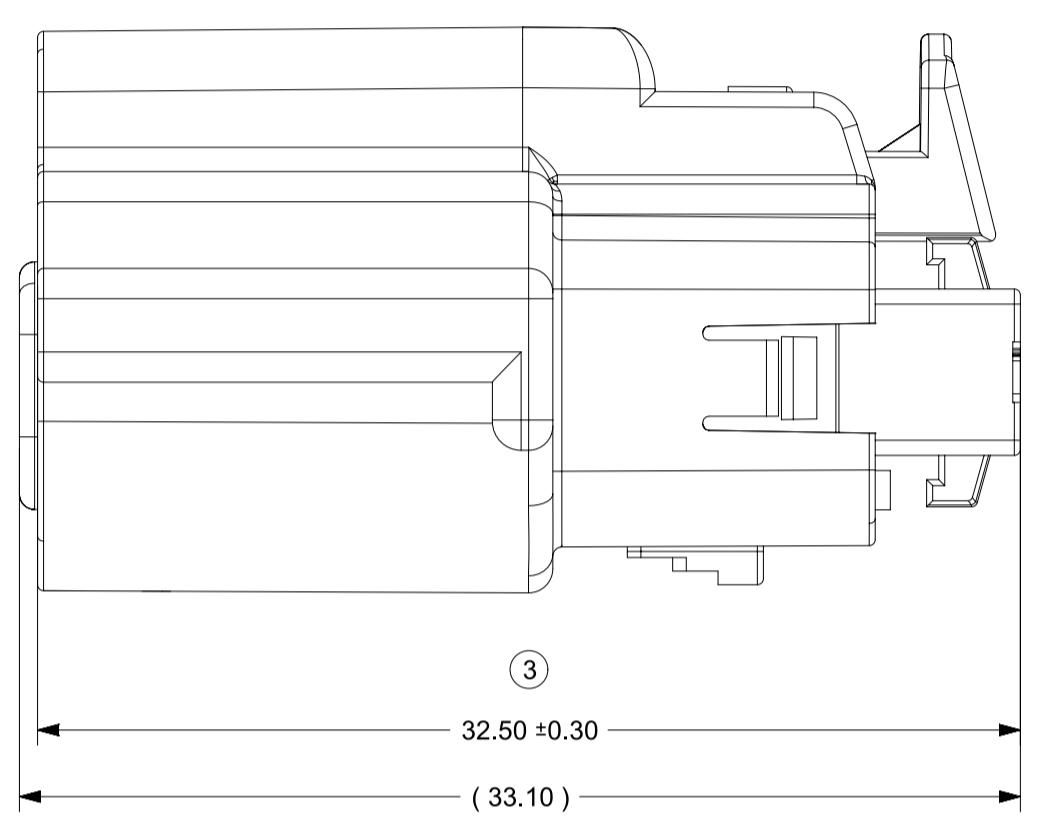
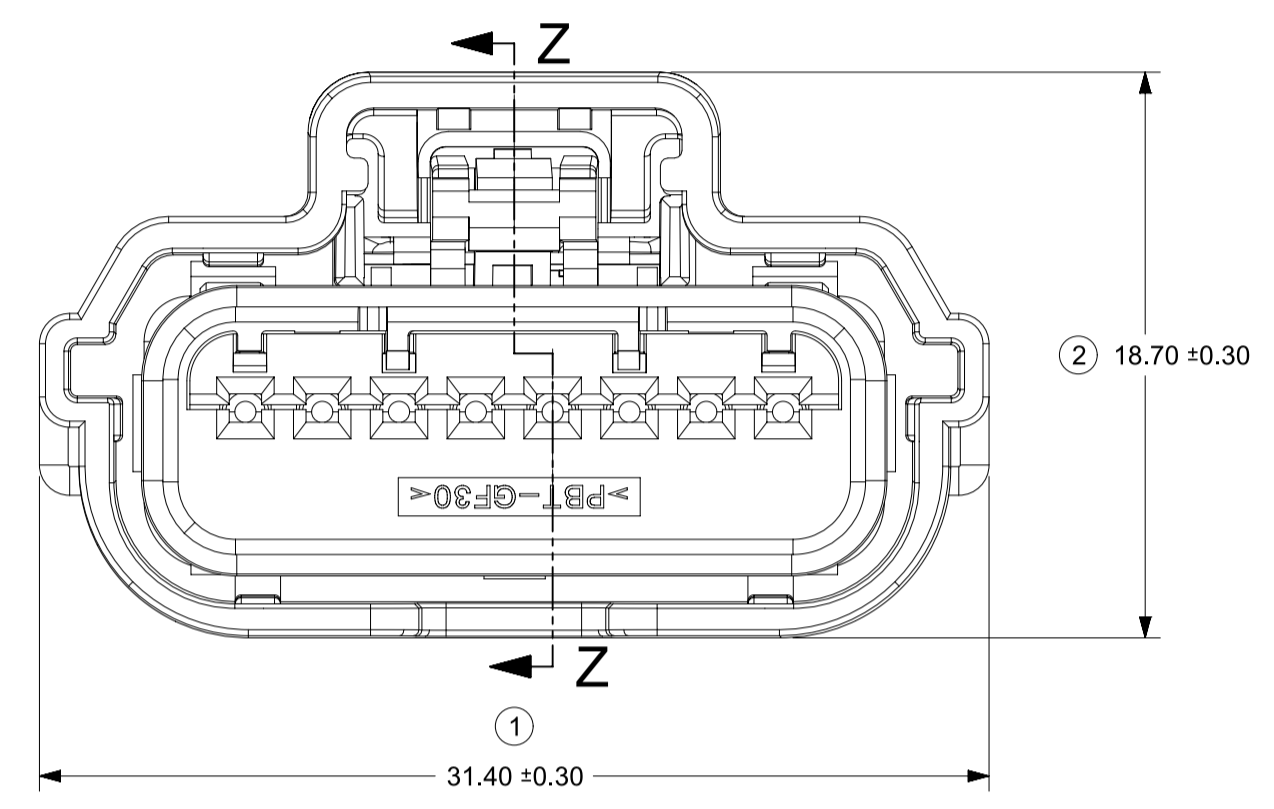
SHEET DESCRIPTION
KEY CONFIGURATIONS



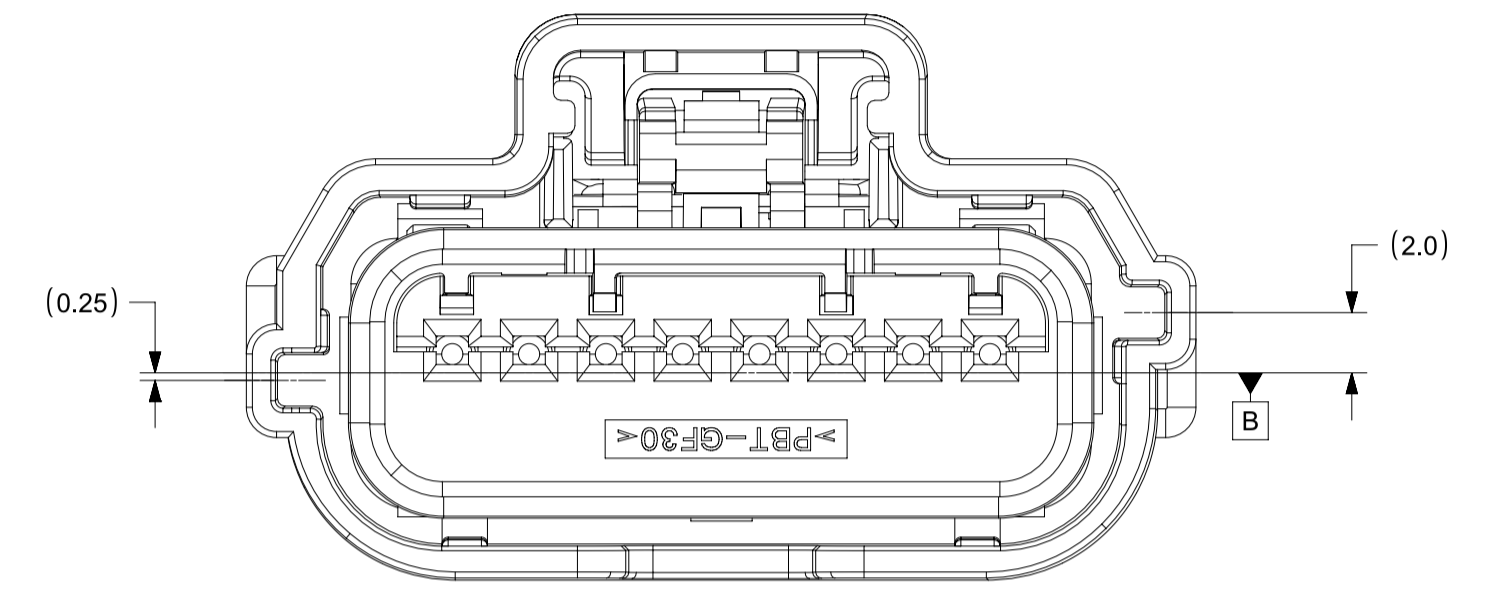
SECTION Z-Z  
TPA SHOWN IN AS-SHIPPED  
PRE-SET POSITION  
SEE NOTE 1-a



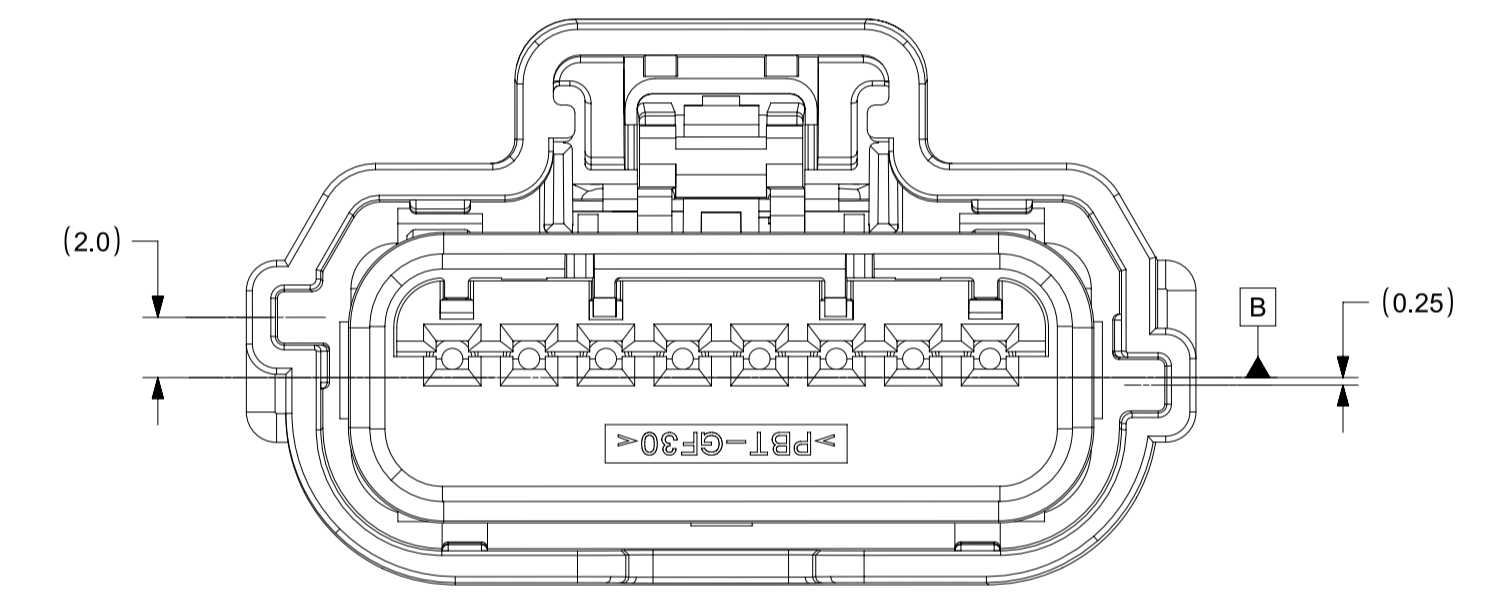
SECTION Y-Y  
TPA SHOWN IN FINAL  
LOCK POSITION  
SEE NOTE 1-a



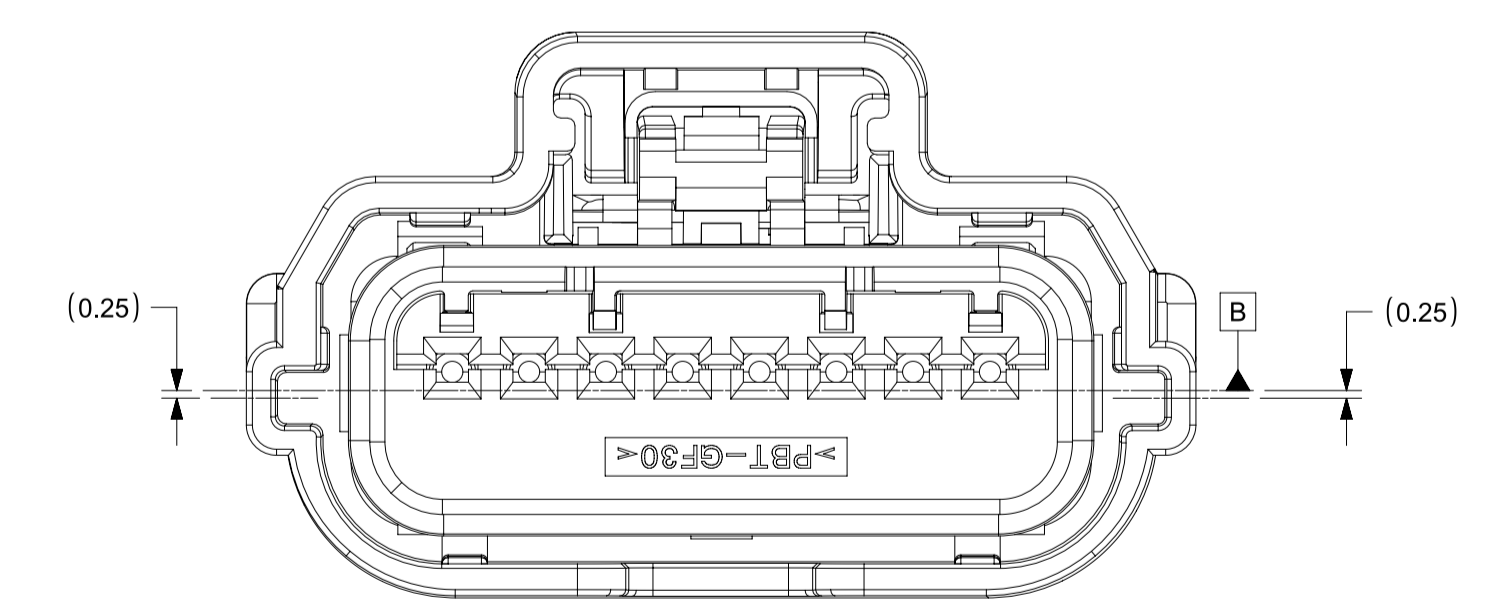
POLARIZATION A



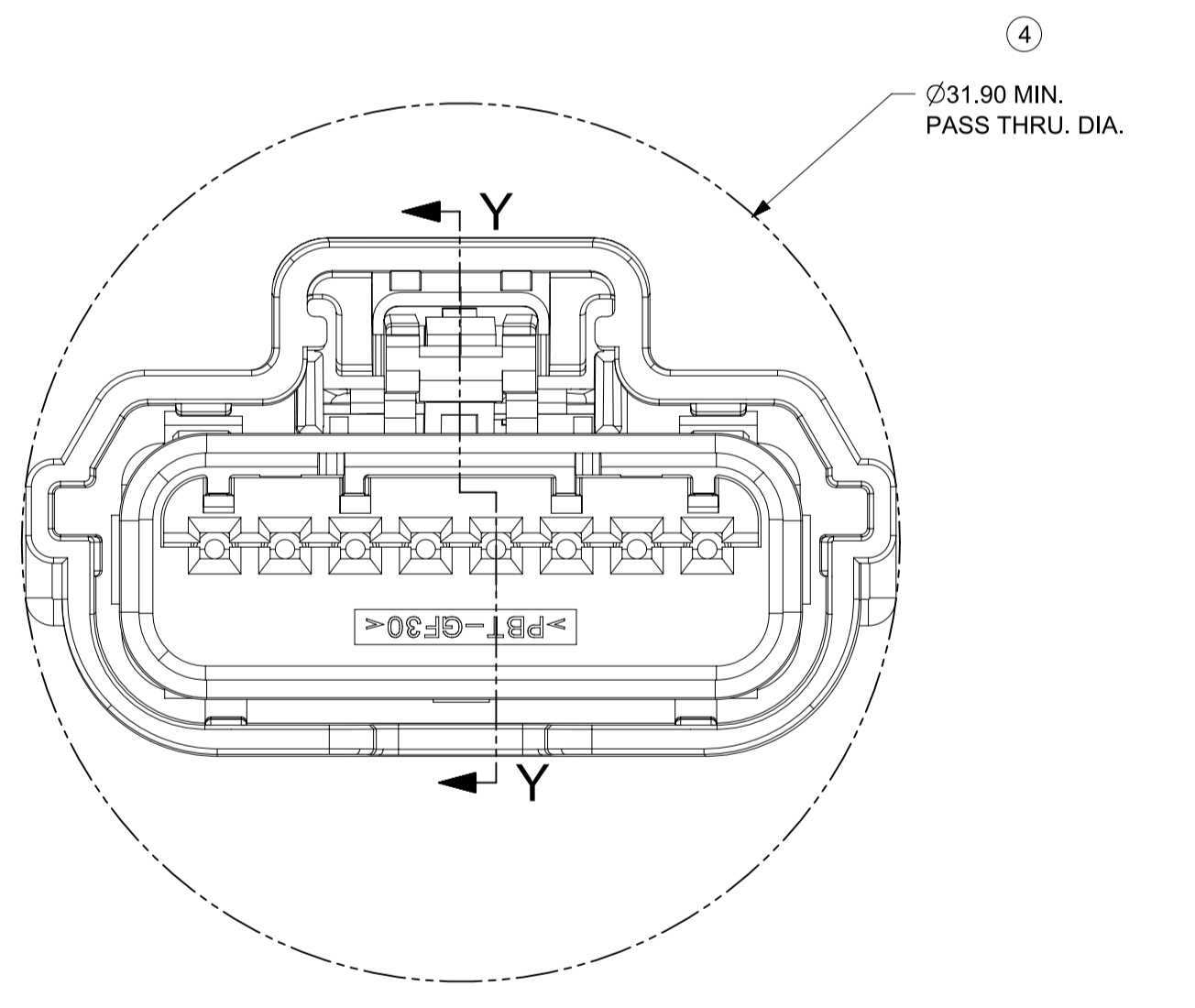
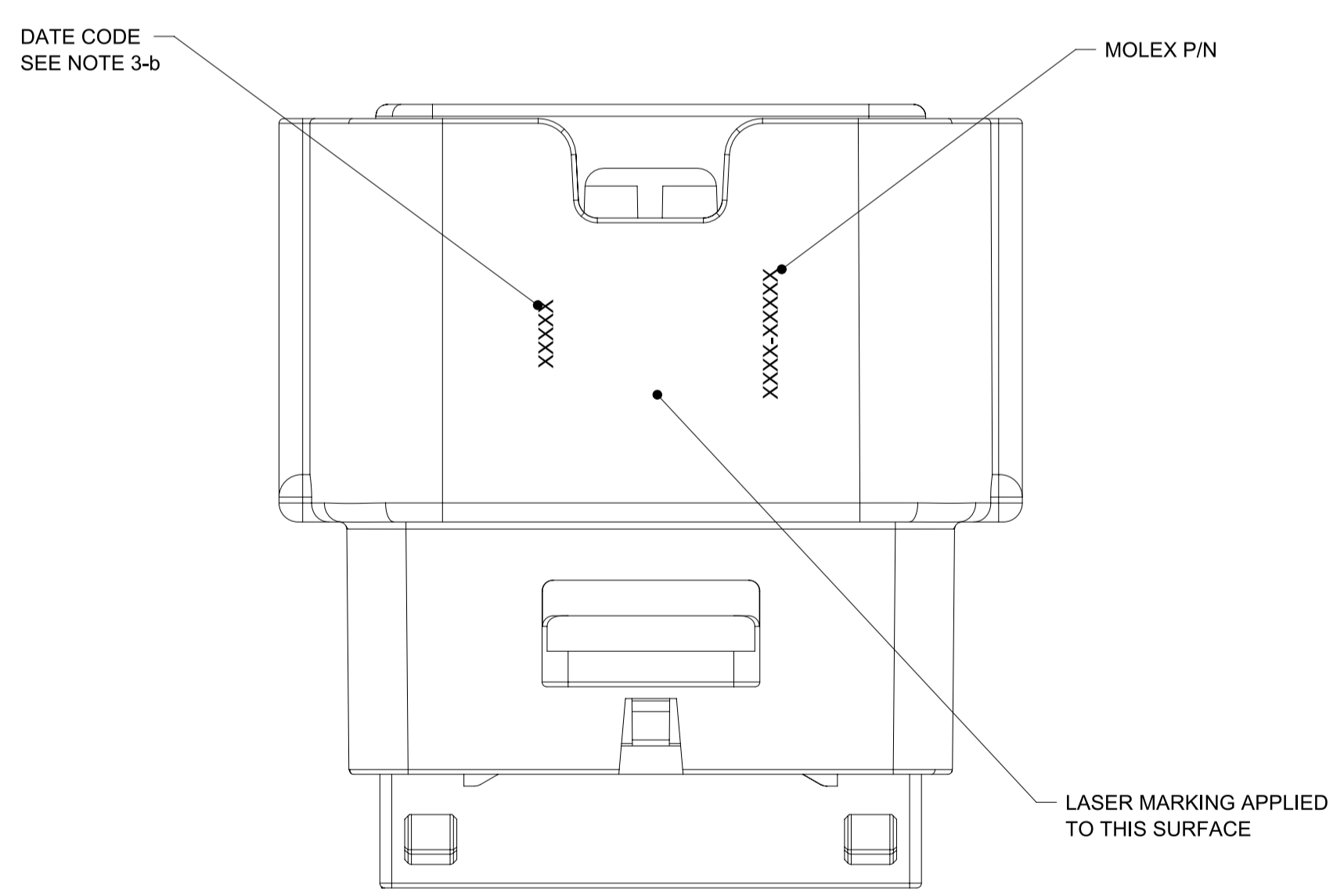
POLARIZATION B



POLARIZATION C

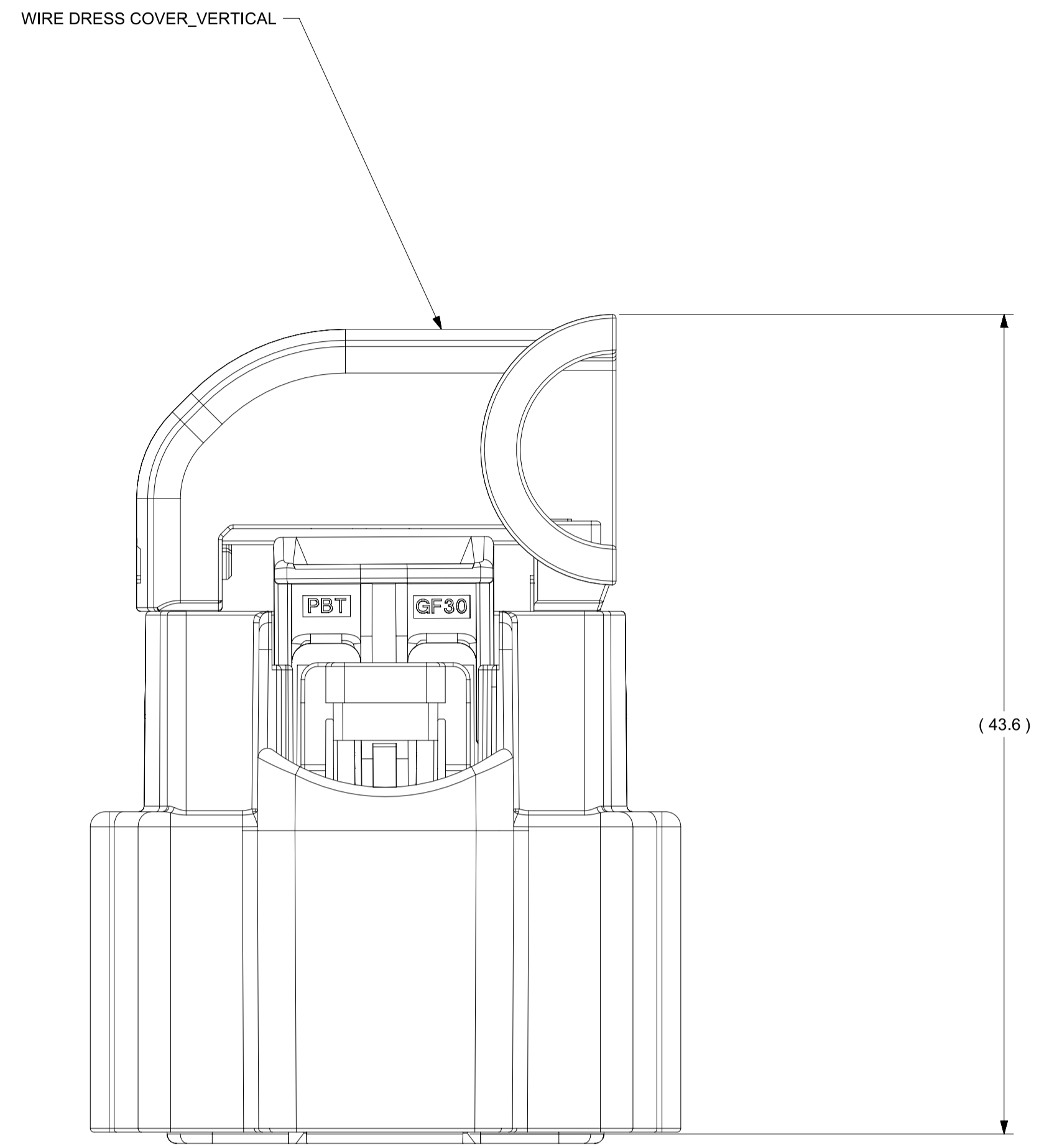
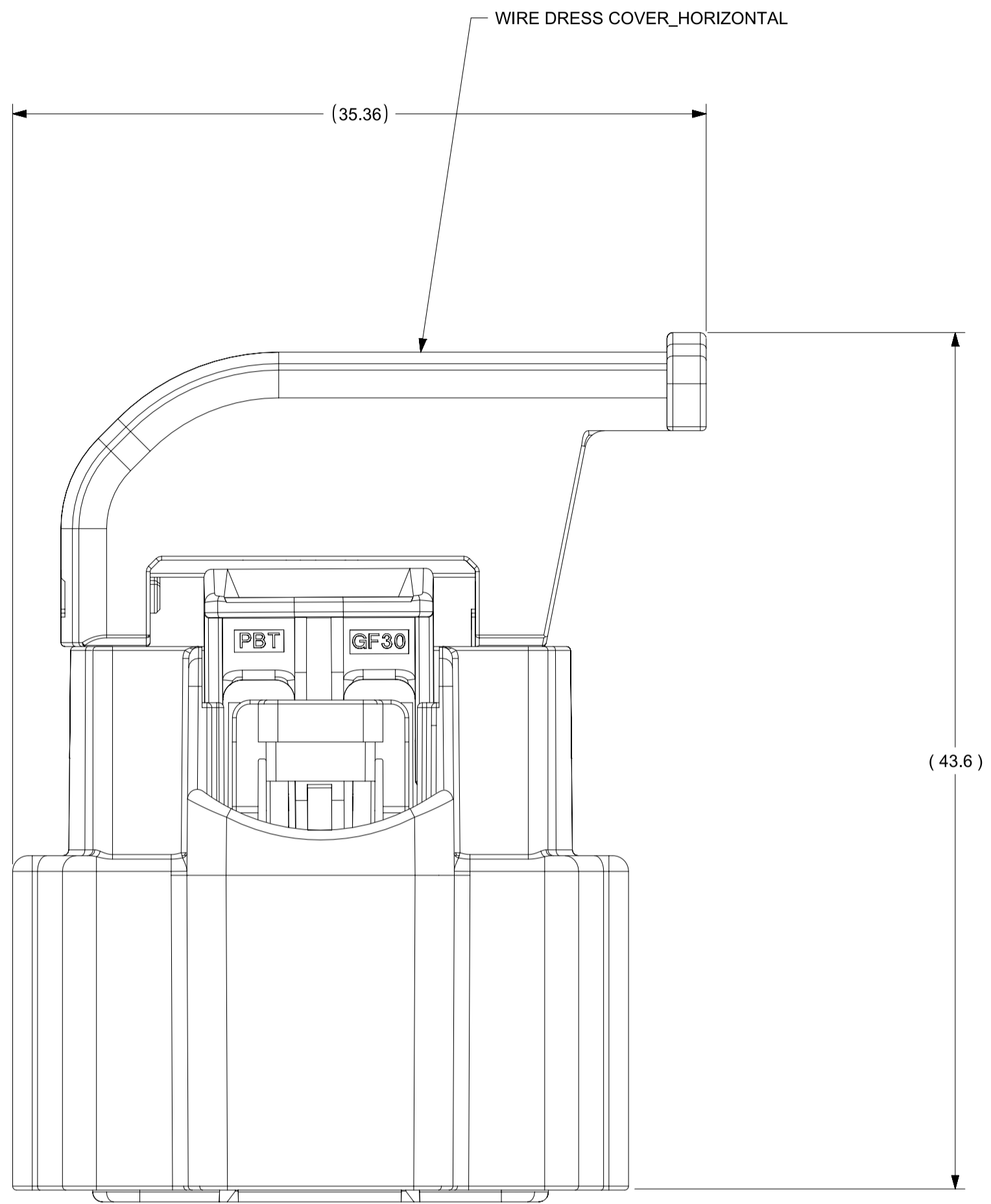


POLARIZATION D



<b>SYMBOLS</b> = 0 = 0 = 0 = 0 = 0 = 0 = 0 = 0 = 0 = 0	THIS DRAWING CONTAINS INFORMATION THAT IS PROPRIETARY TO MOLEX ELECTRONIC TECHNOLOGIES, LLC AND SHOULD NOT BE USED WITHOUT WRITTEN PERMISSION DIMENSION UNITS: <b>mm</b> SCALE: <b>4:1</b>	CURRENT REV DESC: EC NO: CO-000000853 DRWN: Yan Allen 15-Apr-2022 CHK'D: Fiona Chen 15-Apr-2022 APPR: Colin Zhang 20-Apr-2022 INITIAL REVISION: DRWN: Yan Allen 14-Feb-2022 APPR: David Xie 24-Feb-2022	 USCAR 0.64MM 8 WAY ADD NEW P/N: 314049184/9194		
	GENERAL TOLERANCES (UNLESS SPECIFIED) ANGULAR TOL ± 0.5° 4 PLACES ± 0 3 PLACES ± 0 2 PLACES ± 0 1 PLACE ± 0 0 PLACES ± 0 DRAFT WHERE APPLICABLE MUST REMAIN WITHIN DIMENSIONS	PRODUCT SALES DRAWING DOCUMENT NUMBER: <b>SD-31404-811</b> DOC TYPE: PSD DOC PART: 001 REVISION: G12	MATERIAL NUMBER: <b>31404</b> CUSTOMER: <b>GENERAL MARKET</b> SHEET NUMBER: <b>3 OF 4</b>		

SHEET DESCRIPTION
WIRE DRESS COVER ASSEMBLY



<b>SYMBOLS</b> = 0 = 0 = 0 = 0 = 0 = 0 = 0 = 0 = 0 = 0	THIS DRAWING CONTAINS INFORMATION THAT IS PROPRIETARY TO MOLEX ELECTRONIC TECHNOLOGIES, LLC AND SHOULD NOT BE USED WITHOUT WRITTEN PERMISSION DIMENSION UNITS: <b>mm</b> SCALE: <b>4:1</b> GENERAL TOLERANCES (UNLESS SPECIFIED) ANGULAR TOL ± 0.5° 4 PLACES ± 0 3 PLACES ± 0 2 PLACES ± 0 1 PLACE ± 0 0 PLACES ± 0 DRAFT WHERE APPLICABLE MUST REMAIN WITHIN DIMENSIONS	CURRENT REV DESC: EC NO: CO-000000853 DRWN: Yan Allen 15-Apr-2022 CHK'D: Fiona Chen 15-Apr-2022 APPR: Colin Zhang 20-Apr-2022 INITIAL REVISION: DRWN: Yan Allen 14-Feb-2022 APPR: David Xie 24-Feb-2022 THIRD ANGLE PROJECTION 	 USCAR 0.64MM 8 WAY ADD NEW P/N: 314049184/9194 PRODUCT SALES DRAWING DOCUMENT NUMBER: <b>SD-31404-811</b> DOC TYPE: PSD DOC PART: 001 REVISION: G12
	MATERIAL NUMBER: <b>31404</b> CUSTOMER: <b>GENERAL MARKET</b> SHEET NUMBER: <b>4 OF 4</b>		