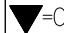
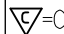


MATERIALS AND FINISHES

SEE SD-73391-0060

P/N: 73251-3140: THIS IS P/N: 73391-0060 PLACED IN A SINGLE BAG

CHG: NEW RELEASE
 EC NO: URF2007-0287
 DRW: TELAHERTY 2007/02/08
 CHKD: SHAH 2007/02/08
 APPR: WIENER 2007/02/08

QUALITY SYMBOLS
 = 0
 = 0

GENERAL TOLERANCES (UNLESS SPECIFIED)

	mm	INCH
4 PLACES	± .---	± .---
3 PLACES	± .---	± .---
2 PLACES	± .---	± .---
1 PLACE	± .---	± .---
ANGULAR ± .---°		

DRAFT WHERE APPLICABLE
MUST REMAIN
WITHIN DIMENSIONS

DIMENSION STYLE
MM/IN


DRAWN BY	DATE
TEF	2007/01/24
CHECKED BY	DATE
SSS	2007/01/24
APPROVED BY	DATE
JDW	2007/01/24

MATERIAL NO.
732513140

SCALE
DESIGN UNITS
METRIC

THIRD ANGLE PROJECTION

TITLE
**SMA JACK, VERTICAL PCB
SMA-J/PCB**

 **MOLEX INCORPORATED**

DOCUMENT NO.
SD-73251-314

SHEET NO.
1 OF 1

THIS DRAWING CONTAINS INFORMATION THAT IS PROPRIETARY TO MOLEX INCORPORATED AND SHOULD NOT BE USED WITHOUT WRITTEN PERMISSION

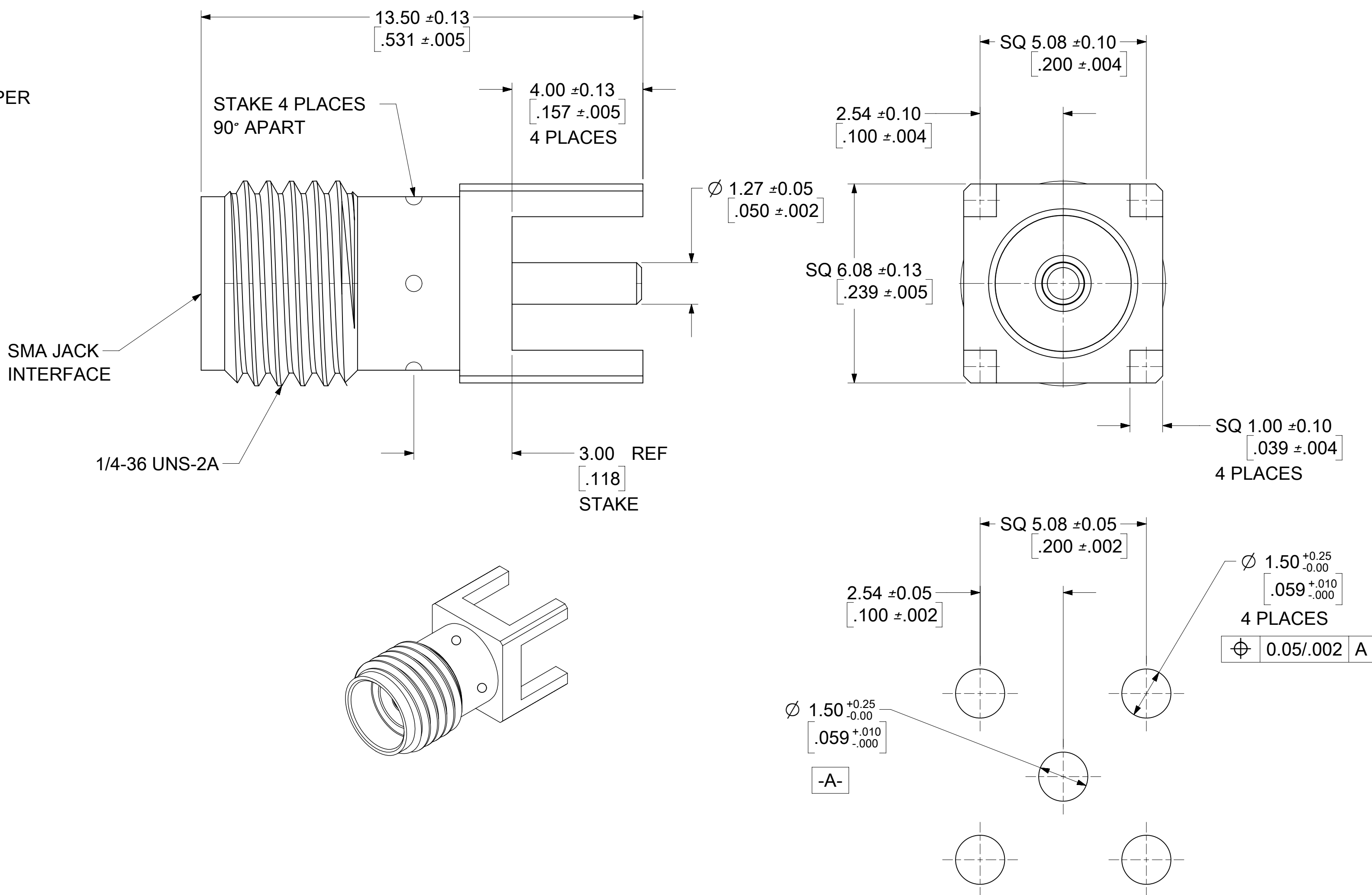
MATERIALS AND FINISHES

BODY BRASS
PLATED GOLD

CENTER CONTACT BERYLLIUM COPPER
PLATED GOLD

INSULATOR TEFLON

WILL WITHSTAND REFLOW
TEMPERATURE OF
265°C ± 5°C



RECOMMENDED PCB CONFIGURATION

73251-3141	73391-0060 BY TRAY 20 CAVITIES
73251-3140	73391-0060 SINGLE BAG
73391-0060	BY TRAY 80 CAVITIES
PART NO.	DESCRIPTION

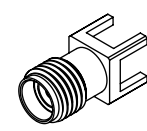
PS-89675-3460	ELEC/MECH PERFORMANCE
SPECIFICATION	DESCRIPTION

FUNCTIONAL SYMBOLS	THIS DRAWING CONTAINS INFORMATION THAT IS PROPRIETARY TO MOLEX ELECTRONIC TECHNOLOGIES, LLC AND SHOULD NOT BE USED WITHOUT WRITTEN PERMISSION					
	DIMENSION UNITS	SCALE	CURRENT REV DESC: EWR-14025-A ADD STAKE 4 PLACES AND 3.00 REF DIMENSION			
$\frac{E}{A} = 0$	HYBRID	1:1	EC NO: 645031 DRWN: JSU18 2020/09/08 CHK'D: YCHENG 2020/09/10 APPR: YCHENG 2020/09/10			
$\frac{E}{C} = 0$	GENERAL TOLERANCES (UNLESS SPECIFIED)					
$\frac{E}{P} = 0$	ANGULAR TOL ± 2.0°		INITIAL REVISION: DRWN: TFLAHERTY 2007/02/08 APPR: GHUBBARD 1993/02/08			
DIVISIONAL SYMBOLS	4 PLACES ±		DOCUMENT NUMBER	DOC TYPE	DOC PART	REVISION
	3 PLACES ±		SD-73391-0060	PSD	001	C8
	2 PLACES ±		MATERIAL NUMBER	CUSTOMER	SHEET NUMBER	
	1 PLACE ±			GENERAL MARKET	1 OF 2	
	0 PLACES ±					
	DRAFT WHERE APPLICABLE MUST REMAIN WITHIN DIMENSIONS		THIRD ANGLE PROJECTION	DRAWING	SERIES	
				C-SIZE	73391	

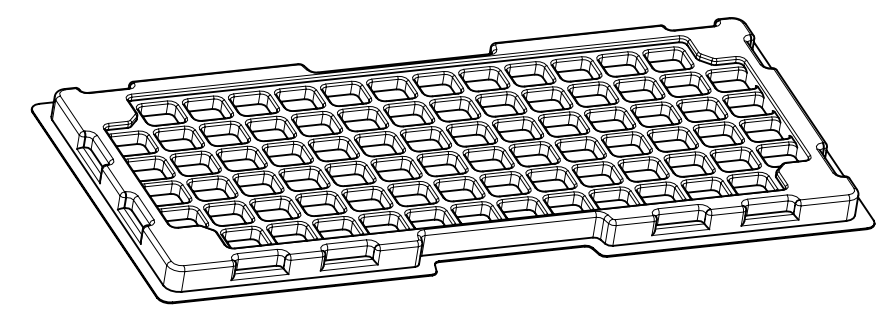
molex

SMA JACK STR
PCB TH SMA-J/PCB

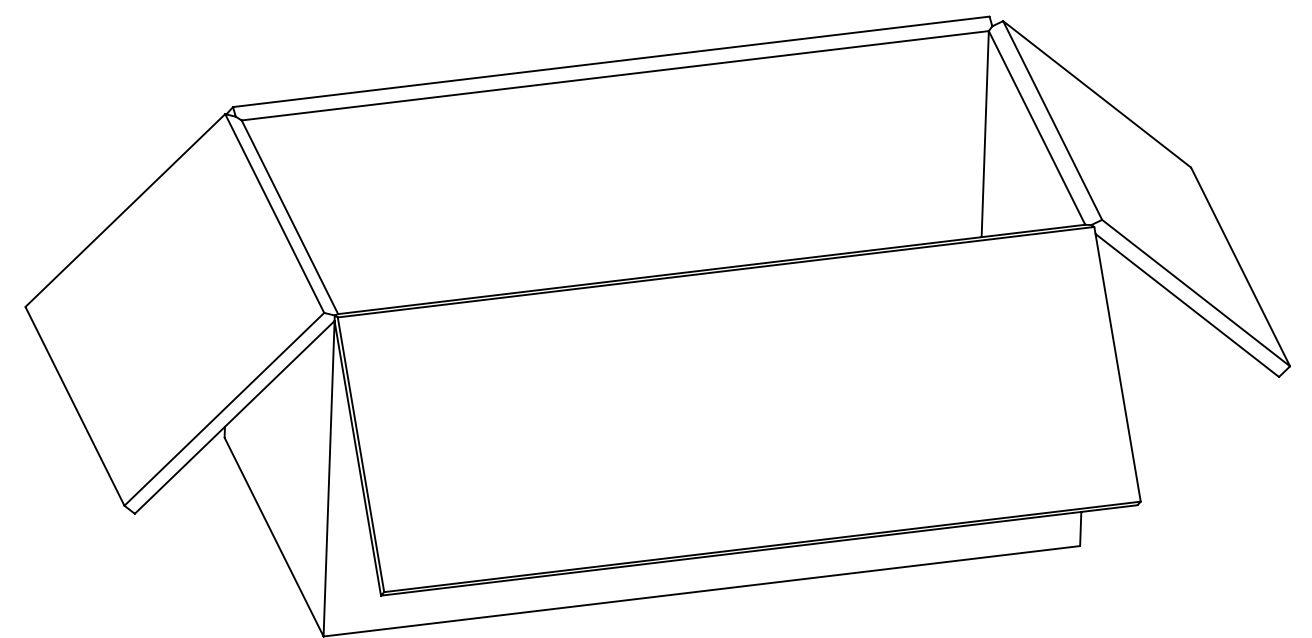
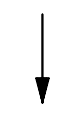
PRODUCT CUSTOMER DRAWING



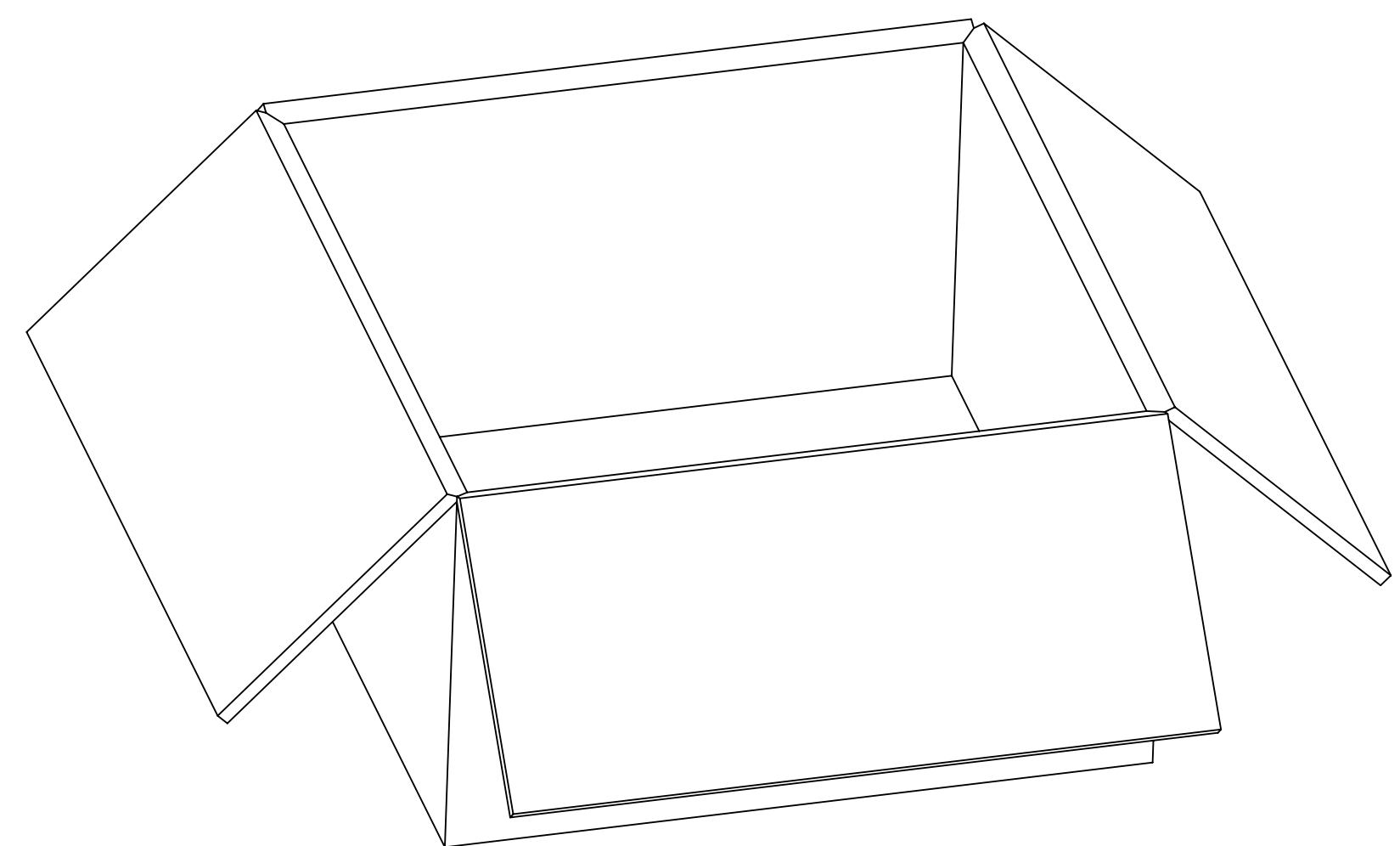
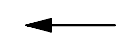
P/N: 73391-0060



80 SETS PER TRAY
P/N: 89707-0190



1600 SETS PER INNER
CARTON BOX
P/N: 96707-0001



3200 SETS PER OUTER
CARTON BOX
P/N: 96708-0005

THIS DRAWING CONTAINS INFORMATION THAT IS PROPRIETARY TO MOLEX ELECTRONIC TECHNOLOGIES, LLC AND SHOULD NOT BE USED WITHOUT WRITTEN PERMISSION										
FUNCTIONAL SYMBOLS	DIMENSION UNITS	SCALE	CURRENT REV DESC: EWR-14025-A ADD STAKE 4 PLACES AND 3.00 REF DIMENSION							
$\nabla_A = 0$	HYBRID	1:5	EC NO: 645031 DRWN: JSU18 2020/09/08 CHK'D: YCHENG 2020/09/10 APPR: YCHENG 2020/09/10 INITIAL REVISION: DRWN: TFLAHERTY 2007/02/08 APPR: GHUBBARD 1993/02/08							
$\nabla_C = 0$	GENERAL TOLERANCES (UNLESS SPECIFIED)									
$\nabla_P = 0$	ANGULAR TOL $\pm 2.0^\circ$									
DIVISIONAL SYMBOLS	4 PLACES	\pm	PRODUCT CUSTOMER DRAWING				DOCUMENT NUMBER	DOC TYPE	DOC PART	REVISION
	3 PLACES	\pm	SD-73391-0060				PSD	001	C8	
	2 PLACES	\pm	MATERIAL NUMBER				CUSTOMER	SHEET NUMBER		
	1 PLACE	\pm	C-SIZE				GENERAL MARKET	2 OF 2		
	0 PLACES	\pm	73391							
DRAFT WHERE APPLICABLE MUST REMAIN WITHIN DIMENSIONS		THIRD ANGLE PROJECTION	DRAWING	SERIES						
			C-SIZE	73391						