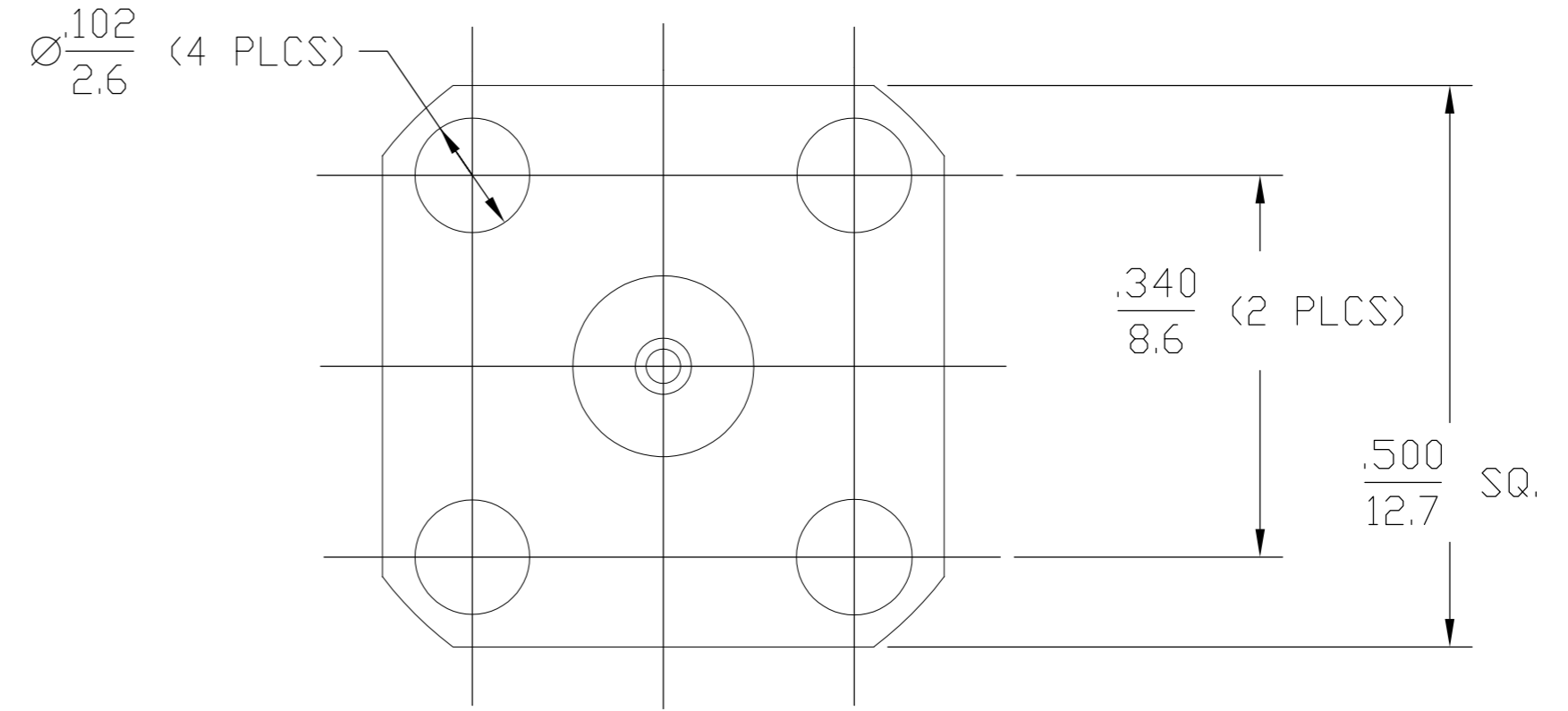
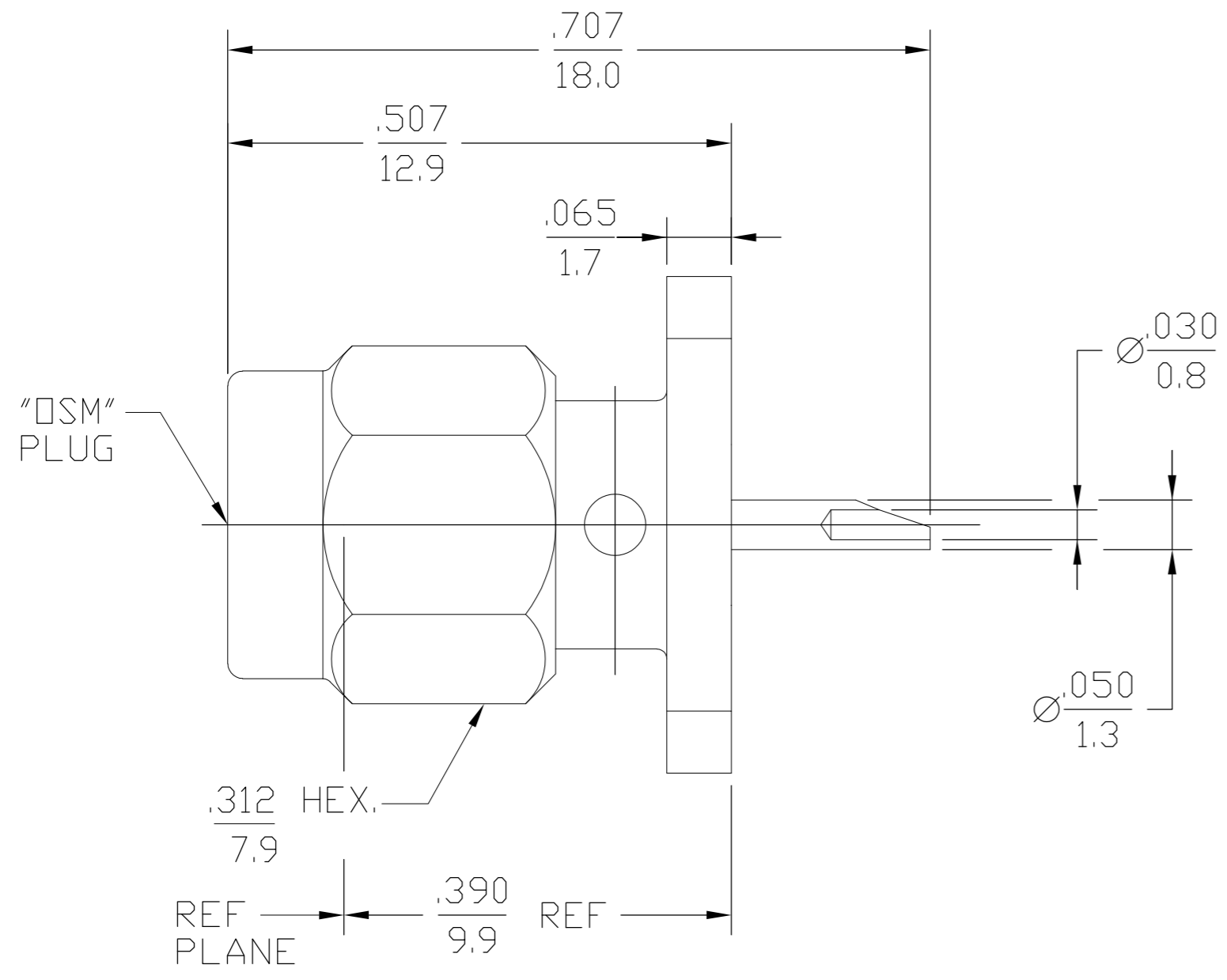


THIS DRAWING IS UNPUBLISHED. RELEASED FOR PUBLICATION
 © COPYRIGHT BY TYCO ELECTRONICS CORPORATION. ALL RIGHTS RESERVED.

LOC		DIST		REVISIONS					
AJ		00		P	LTR	DESCRIPTION	DATE	DWN	APVD
				B		REV PER ECO 07-004710	3/2/2007	DW	KW



1052324-1
PART NUMBER

ELECTRICAL	MECHANICAL	ENVIRONMENTAL
Nominal Impedance (Ohms) 50	Interface Dimensions MIL-STD-348A, Fig. 310-1	TEMPERATURE RATING -65°C TO +165°C
Frequency Range (GHz) DC to 18	Recommended Mating Torque 7-10 IN-LBS	Vibration MIL-STD-202, Method 204, Condition D.
Volt Rating (VRMS MAX) @ Sea Level 335	Mating Characteristics:	Shock MIL-STD-202, Method 213, Condition B.
VSWR 1.05 +.005 f(GHz)	Insertion (MAX Lbs) N/A	Thermal Shock MIL-STD-202, Method 107, Condition B,
Insertion Loss (dB MAX) N/A	Withdrawal (MIN Oz) N/A	Moisture Resistance MIL-STD-202, Method 106, Except Vibration
RF Leakage (dB MIN) -60 f(GHz)	Force to Engage and Disengage (In-Lbs MAX) 2.0	Shall Be Omitted.
Corona, 70,000 Ft (VRMS MIN) 250	Center Contact Captivation	Corrosion - MIL-STD-202, Method 101, Condition B, 5% salt spray
Dielectric Withstanding Voltage (VRMS MIN) @ Sea Level 1,000	Axial (Lbs) 6.0	
Contact Resistance (Milliohms MAX)	Radial (In-Oz) 4.0	
Center Contact 3.0	Cable Retention	
Outer Contact 2.0	Axial Force (Lbs) N/A	
Cable to Housing N/A	Torque (In-Oz) N/A	
RF High Potential @ Sea Level (VRMS MIN @ 5 MHz) 670	Weight (Grams) TBD	
I.R.(Megohms MIN) 10,000		

.XXX = in
XX.X = mm (REF)

COMPONENT	MATERIAL	FINISH
HOUSING COUPLING NUT	STAINLESS STEEL PER ASTM-A484 AND ASTM-A582, TYPE 303	PASSIVATE PER QQ-P-35
DIELECTRIC	PTFE FLUOROCARBON PER ASTM-D-1457	N/A
CENTER CONTACT	BERYLLIUM COPPER PER ASTM-B-196 OR ASTM-B-197, ALLOY C17300, CONDITION H OR BRASS PER ASTM-B-16	GOLD PLATE PER MIL-G-45204
RETAINING RING	BERYLLIUM COPPER PER ASTM-B-194, ALLOY C17200, CONDITION H	N/A
GASKET	SILICONE RUBBER PER ZZ-R-765	N/A

THIS DRAWING IS A CONTROLLED DOCUMENT.		DWN RMK 5/14/69	Tyco Electronics Corporation Harrisburg, PA 17105-3608
DIMENSIONS: INCHES		CHK BWC 5/15/69	
TOLERANCES UNLESS OTHERWISE SPECIFIED:		APVD DN 5/15/69	
0 PLC ± - 1 PLC ± - 2 PLC ± - 3 PLC ± .005 4 PLC ± - ANGLES ± 1°		NAME	
MATERIAL		PRODUCT SPEC	OSM STRAIGHT PANEL PLUG 4 HOLE FLANGE MOUNT RECEPTACLE SOLDER POT TERMINAL
FINISH		APPLICATION SPEC	RESTRICTED TO
-		WEIGHT -	SIZE A2 CAGE CODE 00779 DRAWING NO C=1052324
-		CUSTOMER DRAWING	SCALE 5:1 SHEET 1 of 1 REV B