

PART No. MATRIX

E 2 2 E 0 6 0 2 1 M X X X X

E=ETHERNET/
Ethernet

HEADS:
1 = M12 D-Coding

HEADS STYLE:
060 = MALE STR / MALE STR

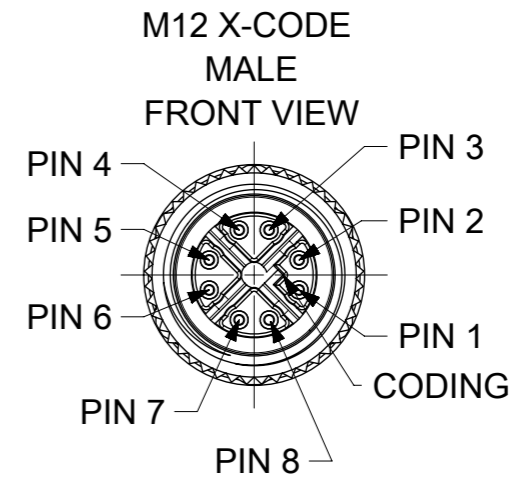
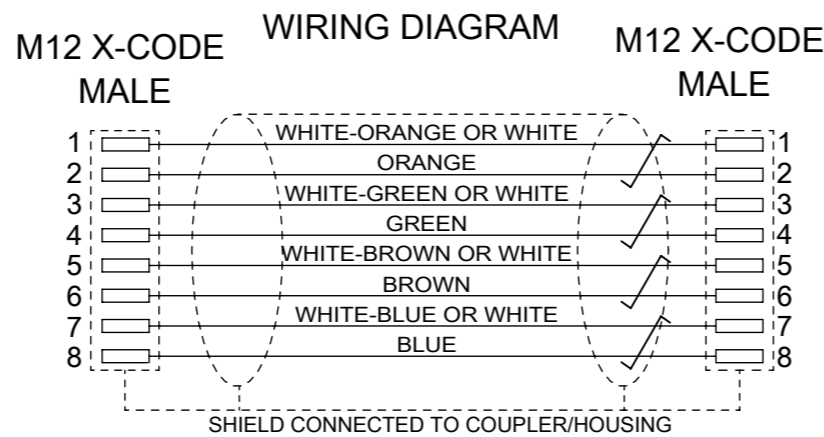
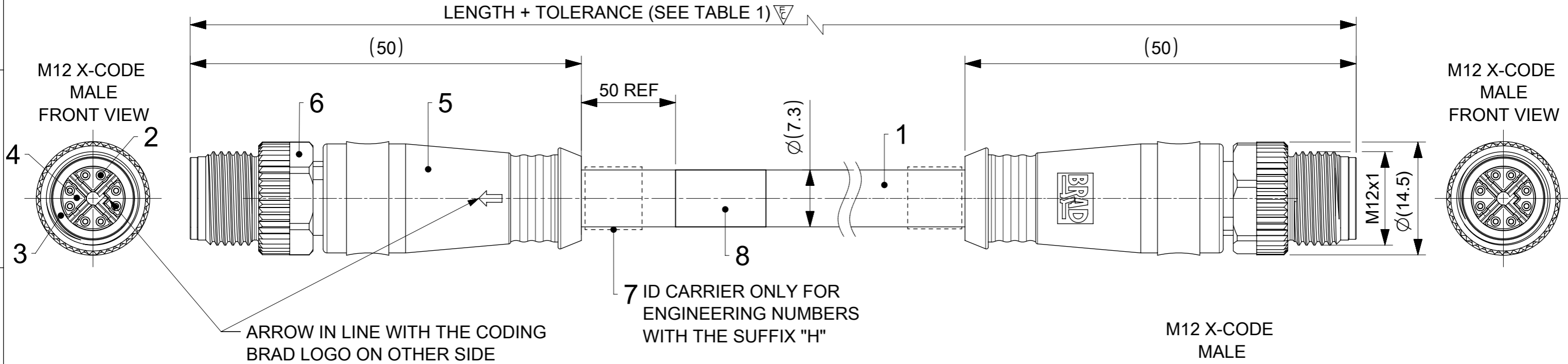
CABLE TYPE:
CABLE 21

UNITS:
M= METER
T=10x METER

LENGTH EXAMPLES:
005=0.5 m
010=1 m
150=15 m
T100=100 m

H= 2 PCS. OF I/D Carrier

WIRING TYPE:
E=8 Pole (STRAIGHT WIRED)



BILL OF MATERIAL

| ITEM | QTY | DESCRIPTION | MATERIAL | FINISH/COLOR |
|------|-----|----------------------------|----------|--------------|
| 1 | 1 | CABLE 4X(2X AWG26/7) CAT 7 | TPE | GREEN |
| 2 | 16 | CONTACT M12 XC MALE | BRASS | Au PLATED |
| 3 | 2 | SHIELD SLEEVE | Zn | Ni PLATED |
| 4 | 2 | INSERT M12 XC MALE | PA | BLACK |
| 5 | - | MOULDING MATERIAL | TPU | BLACK |
| 6 | 2 | M12 HYBRID COUPLING NUT | BRASS | Ni PLATED |
| 7 | 2 | I/D CARRIER 6-10mmx30mm | PVC | TRANSPARENT |
| 8 | 1 | LABEL 2.0X1.75 | VINYL | YELLOW |

DOCUMENT STATUS | P1 | RELEASE DATE | 2023/01/31 | 10:45:36

| | | | | | | | |
|--|--|--|-----------------|-----------------|--------------------------|--------------|----------|
| FUNCTIONAL SYMBOLS FA = 0 FE = 1 FV = 0 | THIS DRAWING CONTAINS INFORMATION THAT IS PROPRIETARY TO MOLEX ELECTRONIC TECHNOLOGIES, LLC AND SHOULD NOT BE USED WITHOUT WRITTEN PERMISSION TO THE DRAWING | CURRENT REV DESC: NEW PN 1203411133 ADDED TO THE DRAWING | | | | | |
| | GENERAL TOLERANCES (UNLESS SPECIFIED) | SCALE: 2:1 | EC NO: 736740 | | | | |
| | ANGULAR TOL ± 1.0° | 4 PLACES ± | DRWN: FDAFERNER | 2023/01/31 | PRODUCT CUSTOMER DRAWING | | |
| | 3 PLACES ± | 2 PLACES ± 0.05 | CHK'D: RSILLER | 2023/01/31 | DOCUMENT NUMBER | | |
| DIVISIONAL SYMBOLS | 1 PLACE ± 0.3 | APPR: RSILLER | 2023/01/31 | 1203410863 | DOC TYPE | DOC PART | REVISION |
| 0 PLACES ± 0.5 | DRAFT WHERE APPLICABLE MUST REMAIN WITHIN DIMENSIONS | INITIAL REVISION: | DRWN: RSCHEBER | 2019/05/13 | PSD | 000 | A6 |
| | THIRD ANGLE PROJECTION | APPR: RSILLER | 2020/12/09 | SEE TABLE 1 | GENERAL MARKET | SHEET NUMBER | |
| | | DRAWING: A3-SIZE | SERIES: 120341 | MATERIAL NUMBER | CUSTOMER | 1 OF 2 | |

TABLE 1

| MOLEX P/N | ENGINEERING NO. | DESCRIPTION | LENGTH |
|------------|-----------------|------------------------------------|--------|
| 1203410941 | E22E06021M003 | M12 CAT6A M/M ST/ST TPE GREEN 0.3M | 300 |
| 1203410863 | E22E06021M005 | M12 CAT6A M/M ST/ST TPE GREEN 0.5M | 500 |
| 1203410864 | E22E06021M010 | M12 CAT6A M/M ST/ST TPE GREEN 1M | 1000 |
| 1203410865 | E22E06021M020 | M12 CAT6A M/M ST/ST TPE GREEN 2M | 2000 |
| 1203410866 | E22E06021M030 | M12 CAT6A M/M ST/ST TPE GREEN 3M | 3000 |
| 1203410867 | E22E06021M040 | M12 CAT6A M/M ST/ST TPE GREEN 4M | 4000 |
| 1203410868 | E22E06021M050 | M12 CAT6A M/M ST/ST TPE GREEN 5M | 5000 |
| 1203410869 | E22E06021M060 | M12 CAT6A M/M ST/ST TPE GREEN 6M | 6000 |
| 1203410895 | E22E06021M070 | M12 CAT6A M/M ST/ST TPE GREEN 7M | 7000 |
| 1203410870 | E22E06021M080 | M12 CAT6A M/M ST/ST TPE GREEN 8M | 8000 |
| 1203410896 | E22E06021M090 | M12 CAT6A M/M ST/ST TPE GREEN 9M | 9000 |
| 1203410871 | E22E06021M100 | M12 CAT6A M/M ST/ST TPE GREEN 10M | 10000 |
| 1203410942 | E22E06021M120 | M12 CAT6A M/M ST/ST TPE GREEN 12M | 12000 |
| 1203410943 | E22E06021M140 | M12 CAT6A M/M ST/ST TPE GREEN 14M | 14000 |
| 1203410872 | E22E06021M150 | M12 CAT6A M/M ST/ST TPE GREEN 15M | 15000 |
| 1203410944 | E22E06021M180 | M12 CAT6A M/M ST/ST TPE GREEN 18M | 18000 |
| 1203410873 | E22E06021M200 | M12 CAT6A M/M ST/ST TPE GREEN 20M | 20000 |
| 1203410945 | E22E06021M230 | M12 CAT6A M/M ST/ST TPE GREEN 23M | 23000 |
| 1203410946 | E22E06021M270 | M12 CAT6A M/M ST/ST TPE GREEN 27M | 27000 |
| 1203410947 | E22E06021M300 | M12 CAT6A M/M ST/ST TPE GREEN 30M | 30000 |
| 1203410948 | E22E06021M340 | M12 CAT6A M/M ST/ST TPE GREEN 34M | 34000 |
| 1203410949 | E22E06021M380 | M12 CAT6A M/M ST/ST TPE GREEN 38M | 38000 |
| 1203410950 | E22E06021M420 | M12 CAT6A M/M ST/ST TPE GREEN 42M | 42000 |
| 1203410951 | E22E06021M460 | M12 CAT6A M/M ST/ST TPE GREEN 46M | 46000 |
| 1203410952 | E22E06021M500 | M12 CAT6A M/M ST/ST TPE GREEN 50M | 50000 |
| 1203410953 | E22E06021M540 | M12 CAT6A M/M ST/ST TPE GREEN 54M | 54000 |
| 1203410954 | E22E06021M570 | M12 CAT6A M/M ST/ST TPE GREEN 57M | 57000 |
| 1203410955 | E22E06021M610 | M12 CAT6A M/M ST/ST TPE GREEN 61M | 61000 |
| 1203410956 | E22E06021M650 | M12 CAT6A M/M ST/ST TPE GREEN 65M | 65000 |
| 1203410957 | E22E06021M700 | M12 CAT6A M/M ST/ST TPE GREEN 70M | 70000 |
| 1203411133 | E22E06021M950 | M12 CAT6A M/M ST/ST TEAL TPE 95M | 95000 |

TABLE 1

| WITH ID CARRIER | | | |
|-----------------|-----------------|---------------------------------------|--------|
| MOLEX P/N | ENGINEERING NO. | DESCRIPTION | LENGTH |
| 1203410999 | E22E06021M005H | M12 CAT6A M/M ST/ST TPE GREEN 0.5M-ID | 500 |
| 1203411031 | E22E06021M010H | M12 CAT6A M/M ST/ST TPE GREEN 1M-ID | 1000 |
| 1203411032 | E22E06021M020H | M12 CAT6A M/M ST/ST TPE GREEN 2M-ID | 2000 |
| 1203411033 | E22E06021M030H | M12 CAT6A M/M ST/ST TPE GREEN 3M-ID | 3000 |
| 1203411034 | E22E06021M040H | M12 CAT6A M/M ST/ST TPE GREEN 4M-ID | 4000 |
| 1203411003 | E22E06021M050H | M12 CAT6A M/M ST/ST TPE GREEN 5M-ID | 5000 |
| 1203411092 | E22E06021M060H | M12 CAT6A M/M ST/ST TPE GREEN 6M-ID | 6000 |
| 1203411093 | E22E06021M070H | M12 CAT6A M/M ST/ST TPE GREEN 7M-ID | 7000 |
| 1203411094 | E22E06021M080H | M12 CAT6A M/M ST/ST TPE GREEN 8M-ID | 8000 |
| 1203411000 | E22E06021M100H | M12 CAT6A M/M ST/ST TPE GREEN 10M-ID | 10000 |
| 1203411035 | E22E06021M120H | M12 CAT6A M/M ST/ST TPE GREEN 12M-ID | 12000 |
| 1203411036 | E22E06021M150H | M12 CAT6A M/M ST/ST TPE GREEN 15M-ID | 15000 |
| 1203411037 | E22E06021M200H | M12 CAT6A M/M ST/ST TPE GREEN 20M-ID | 20000 |
| 1203410918 | E22E06021M250H | M12 CAT6A M/M ST/ST TPE GREEN 25M-ID | 25000 |
| 1203410919 | E22E06021M300H | M12 CAT6A M/M ST/ST TPE GREEN 30M-ID | 30000 |
| 1203410920 | E22E06021M350H | M12 CAT6A M/M ST/ST TPE GREEN 35M-ID | 35000 |
| 1203410978 | E22E06021M400H | M12 CAT6A M/M ST/ST TPE GREEN 40M-ID | 40000 |
| 1203410979 | E22E06021M450H | M12 CAT6A M/M ST/ST TPE GREEN 45M-ID | 45000 |
| 1203410921 | E22E06021M500H | M12 CAT6A M/M ST/ST TPE GREEN 50M-ID | 50000 |
| 1203410980 | E22E06021M550H | M12 CAT6A M/M ST/ST TPE GREEN 55M-ID | 55000 |
| 1203411001 | E22E06021M600H | M12 CAT6A M/M ST/ST TPE GREEN 60M-ID | 60000 |
| 1203410981 | E22E06021M650H | M12 CAT6A M/M ST/ST TPE GREEN 65M-ID | 65000 |
| 1203410982 | E22E06021M700H | M12 CAT6A M/M ST/ST TPE GREEN 70M-ID | 70000 |
| 1203410983 | E22E06021M750H | M12 CAT6A M/M ST/ST TPE GREEN 75M-ID | 75000 |
| 1203411002 | E22E06021M850H | M12 CAT6A M/M ST/ST TPE GREEN 85M-ID | 85000 |
| 1203411038 | E22E06021M800H | M12 CAT6A M/M ST/ST TPE GREEN 80M-ID | 80000 |

NOTES:
 VOLTAGE RATING: 48 V
 CURRENT RATING: 0.5 A
 TEMPERATURE RATING:
 STATIC: -40 °C TO 80 °C
 DYNAMIC: -25 °C TO 80 °C
 IP RATING: IP 67 (IN MATED AND LOCKED CONDITION)
 TRANSMISSION CHARACTERISTICS ACCORDING TO ISO/IEC 11801 CLASS E_A CHANNEL,
 WITH INSERTION LOSS BEING IGNORED FOR CABLE LENGTHS <1 m OR >65 m
 PACKAGING: CORDSETS ARE PACKED IN A POLYBAG

CABLE LENGTH TOLERANCES

| LENGTH | TOLERANCE |
|--------------|------------|
| 0 m - 1 m | +40 mm |
| >1 m - 5 m | +60 mm |
| >5 m - 10 m | +80 mm |
| >10 m - 20 m | +140 mm |
| >20 m - 30 m | +160 mm |
| >30 m | +1% length |

| | | | | | |
|--|--|------------------------|--|------------|--------------------------------------|
| FUNCTIONAL SYMBOLS ∇/A = 0 ∇/E = 0 ∇/P = 0 | THIS DRAWING CONTAINS INFORMATION THAT IS PROPRIETARY TO MOLEX ELECTRONIC TECHNOLOGIES, LLC AND SHOULD NOT BE USED WITHOUT WRITTEN PERMISSION TO THE DRAWING | SCALE 1:1 | CURRENT REV DESC: NEW PN 1203411133 ADDED TO THE DRAWING | | |
| | GENERAL TOLERANCES (UNLESS SPECIFIED) | | EC NO: 736740 | | |
| DIVISIONAL SYMBOLS | ANGULAR TOL ± 1.0 ° | 4 PLACES ± | DRWN: FDAFERNER | 2023/01/31 | molex |
| | 3 PLACES ± | 2 PLACES ± 0.05 | CHK'D: RSILLER | 2023/01/31 | |
| 1 PLACE ± 0.3 | | 0 PLACES ± 0.5 | APPR: RSILLER | 2023/01/31 | CSE M12 CAT6A 8P XC MA STR TPE XM |
| DRAFT WHERE APPLICABLE MUST REMAIN WITHIN DIMENSIONS | | THIRD ANGLE PROJECTION | DRAWING | SERIES | PRODUCT CUSTOMER DRAWING |
| | | | A3-SIZE | 120341 | DOCUMENT NUMBER 1203410863 |
| | | | | | DOC TYPE PSD |
| | | | | | DOC PART 000 |
| | | | | | REVISION A6 |
| | | | | | MATERIAL NUMBER SEE TABLE 1 |
| | | | | | CUSTOMER GENERAL MARKET |
| | | | | | SHEET NUMBER 2 OF 2 |