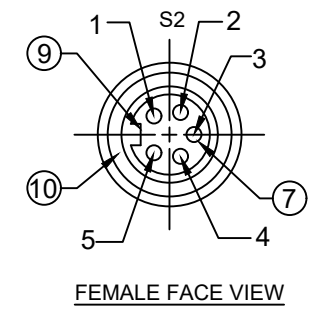
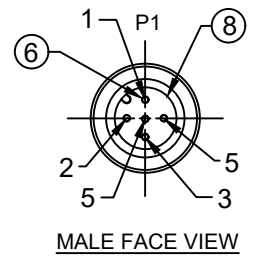
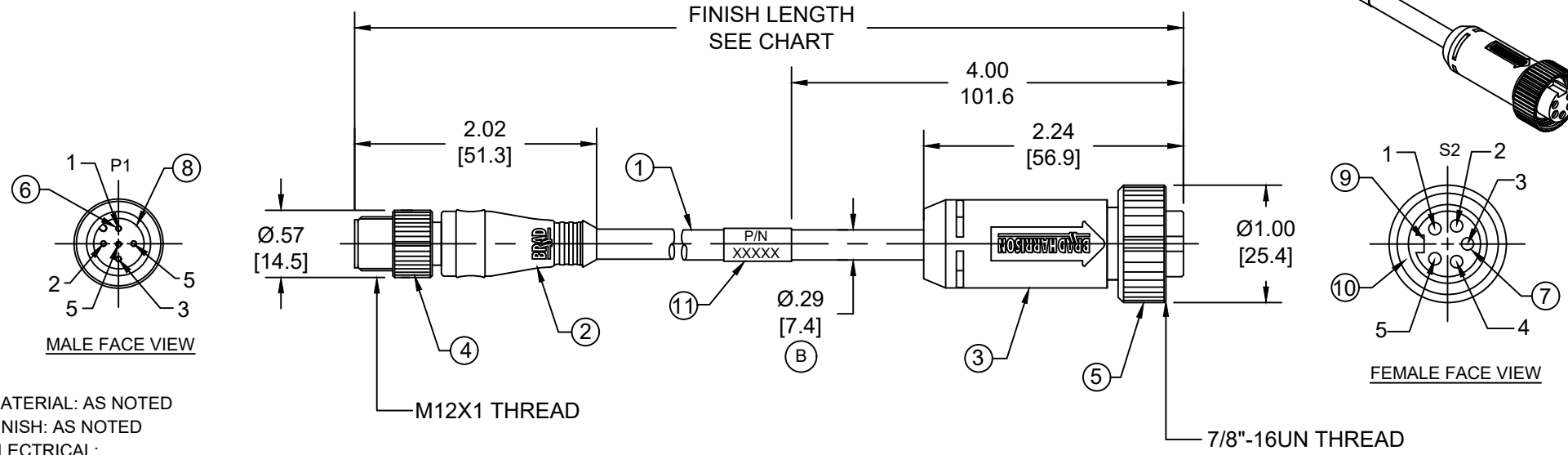
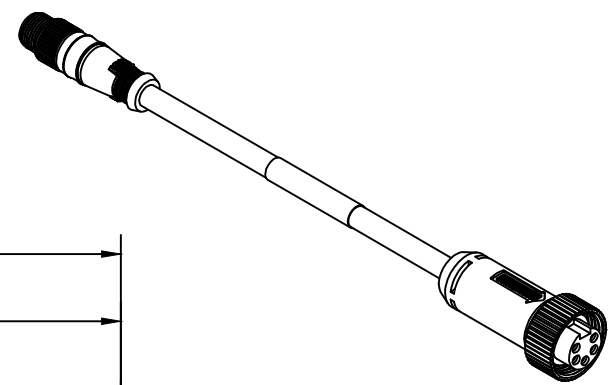


SAP P/N #	ENGINEERING P/N	FINISHED LENGTH
1300390144	DND12A-M005	0.5M [ 1FT 8 IN ]
1300390147	DND12A-M030	3M [ 9FT 10 IN ]
1300390150	DND12A-M060	6M [ 19FT 8 IN ]



NOTES:

- MATERIAL: AS NOTED
- FINISH: AS NOTED
- ELECTRICAL:  
VOLTAGE: 250V  
CURRENT: 4A
- TEMP RATING: -20°C TO +80°C
- PROTECTION: IP67 (WHEN MATED)
- UL LISTED FILE: E152210  
CSA CERTIFIED FILE: LR6837
- ALL DIMENSIONS ARE FOR REFERENCE UNLESS TOLERANCED OR NOTED OTHERWISE

**PART NUMBER LEGEND**  
**DND12A-M005**  
 LENGTH:  
 M005= 0.5 METER  
 M010= 1 METER  
 M100= 10 METER

P1		S2	
1	DRAIN	1	
2	RED	2	
3	BLACK	3	
4	WHITE	4	
5	BLUE	5	

**CABLE LENGTH TOLERANCES**

<.3M [1FT]:	+19mm-0 [ +.75in-0]
.3 - .9M [1 - 3FT]:	+44.5mm-0 [+1.75in-0]
.9 - 1.8M [3 - 6FT]:	+55.6mm-0 [+2.19in-0]
1.8 - 3.7M [6 - 12FT]:	+88.9mm-0 [+3.50in-0]
3.7 - 7.3M [12 - 24FT]:	+165.1mm-0 [+6.50in-0]
7.3-14.6M [24 - 48FT]:	+317.5mm-0 [+12.50in-0]
14.6 - 30.5M [48-100FT]:	+622.3mm-0 [+24.50in-0]
OVER 30M [100FT]	+2% OF FINISHED LENGTH

11	WRAP LABEL	VINYL	BLACK/YELLOW
10	FRICTION RING	NYLON	WHITE
9	FEMALE INSERT(MINI)	TPE	BLACK
8	MALE INSERT(MICRO)	NYLON	BLACK
7	SOCKET CONTACT	COPPER ALLOY	GOLD OVER NICKEL
6	PIN CONTACT	COPPER ALLOY	GOLD OVER NICKEL
5	COUPLING NUT(MINI)	ZINC DIE-CAST	BLACK E-COAT
4	COUPLING NUT(MICRO)	ZINC DIE-CAST	BLACK E-COAT
3	OVERMOLD(MINI)	TPC	GRAY
2	OVERMOLD(MICRO)	TPC	GRAY
1	DEVICENET DROP CABLE	PVC JACKET	GRAY
ITEM	COMPONENT	MATERIAL	FINISH

**WIRING DIAGRAM**

THIS DRAWING CONTAINS INFORMATION THAT IS PROPRIETARY TO MOLEX ELECTRONIC TECHNOLOGIES, LLC AND SHOULD NOT BE USED WITHOUT WRITTEN PERMISSION

FUNCTIONAL SYMBOLS	DIMENSION UNITS		SCALE		CURRENT REV DESC: ITEM-2, 3 & 9 WERE PVC. ADDED ITEM-10, TOL CHART, UL, CSA, CABLE DIA AND PN LEGEND. MODIFIED PN CHART				
	INCH	MM	NTS						
	GENERAL TOLERANCES (UNLESS SPECIFIED)				EC NO: 720800 DRWN: ABENJAMINLW 2022/07/21 CHK'D: RSTONE 2022/09/09 APPR: BWOODMAN 2022/09/09 INITIAL REVISION: DRWN: TWOLDEGE 2010/01/11 APPR: JFMURPHY 2010/01/20				
		mm	INCH						
	4 PLACES	±----	±----						
	3 PLACES	±----	±----						
	2 PLACES	±----	±----						
1 PLACE	±----	±----							
0 PLACES	±----	±----							
DIVISIONAL SYMBOLS	ANGULAR TOL ± ---- °				THIRD ANGLE PROJECTION 				
DRAFT WHERE APPLICABLE MUST REMAIN WITHIN DIMENSIONS									
DRAWING SERIES MATERIAL NUMBER CUSTOMER SHEET NUMBER									
DOCUMENT STATUS		P1	RELEASE DATE	2022/09/09 18:08:05					
PRODUCT CUSTOMER DRAWING					MICRO-MINI CHANGE DEVICENET, M12-A-SIZE, 5 POLE, MALE-FEMALE, STRAIGHT, SINGLE KEY, #22/4 AWG				
DOCUMENT NUMBER					DOC TYPE/DOC PART/REVISION				
SD-130039-018					PSD 001 B				
DRAWING		SERIES		MATERIAL NUMBER		CUSTOMER		SHEET NUMBER	
A-SIZE		130039		SEE CHART		GENERAL MARKET		1 OF 1	