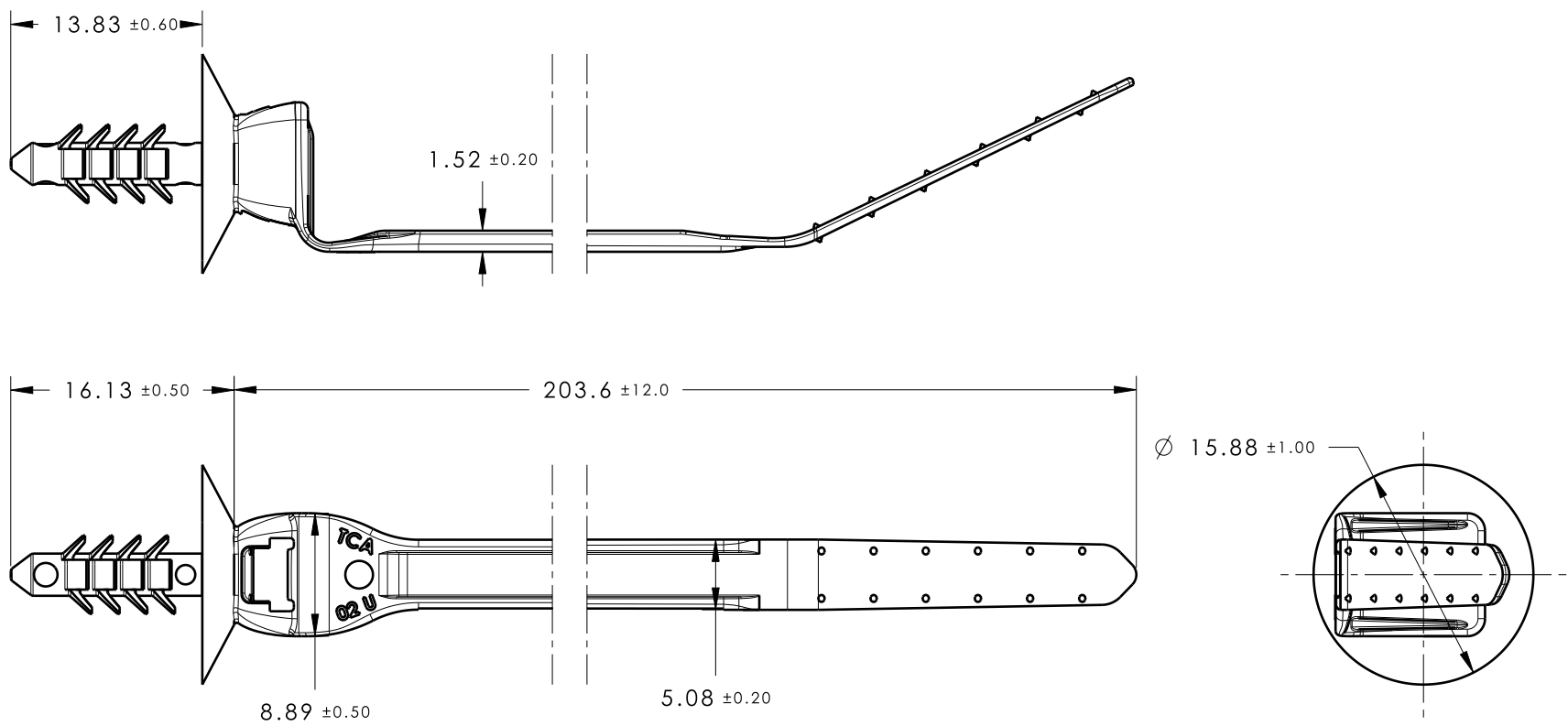



Revision Level			Revision Record	Changed	Date	Approved	Date
Drawing	State	Part					
07.2	Design Release	A	SEE ECN# 013324	CJR	12/22/15	KVH	12/22/15



REFERENCE:  
 PERFORMANCE REQUIREMENTS AT DRY AS MOLDED:  
 1. APPLICABLE HOLE SIZE:  
     A. M6 THREADED HOLE  
 2. CABLE TIE MIN LOOP TENSILE STRENGTH: 222 NEWTONS (50 LBS)  
 3. BUNDLE RANGE: 1.6mm TO 50.0mm

MATERIAL	COLOR
PA66HIRHS	BLACK
PA66HIRHS	GRAY
PA46	BROWN

Material SEE TABLE	Units	millimeters	The copyright of this drawing is reserved by HellermannTyton. It is issued on condition that it is not reproduced, copied or disclosed to a third party, either wholly or in part, without the consent of HellermannTyton.	Drawn	CJR	12/21/15	Article/Type-No T50ROSFTQM6	Scale	2:1	
	Tolerance defined on each dimension	Approved		KVH	12/21/15	Title QUAD FIR TREE CABLE TIE		Project Number	10-0538	
		 North America Email: corp@htamericas.com Web: www.hellermann.tyton.com			Drawing-No		PRODUCTION : Phase	Format	AH	
					<b>CT10-0538-003CST</b>		Sheet	1/1		