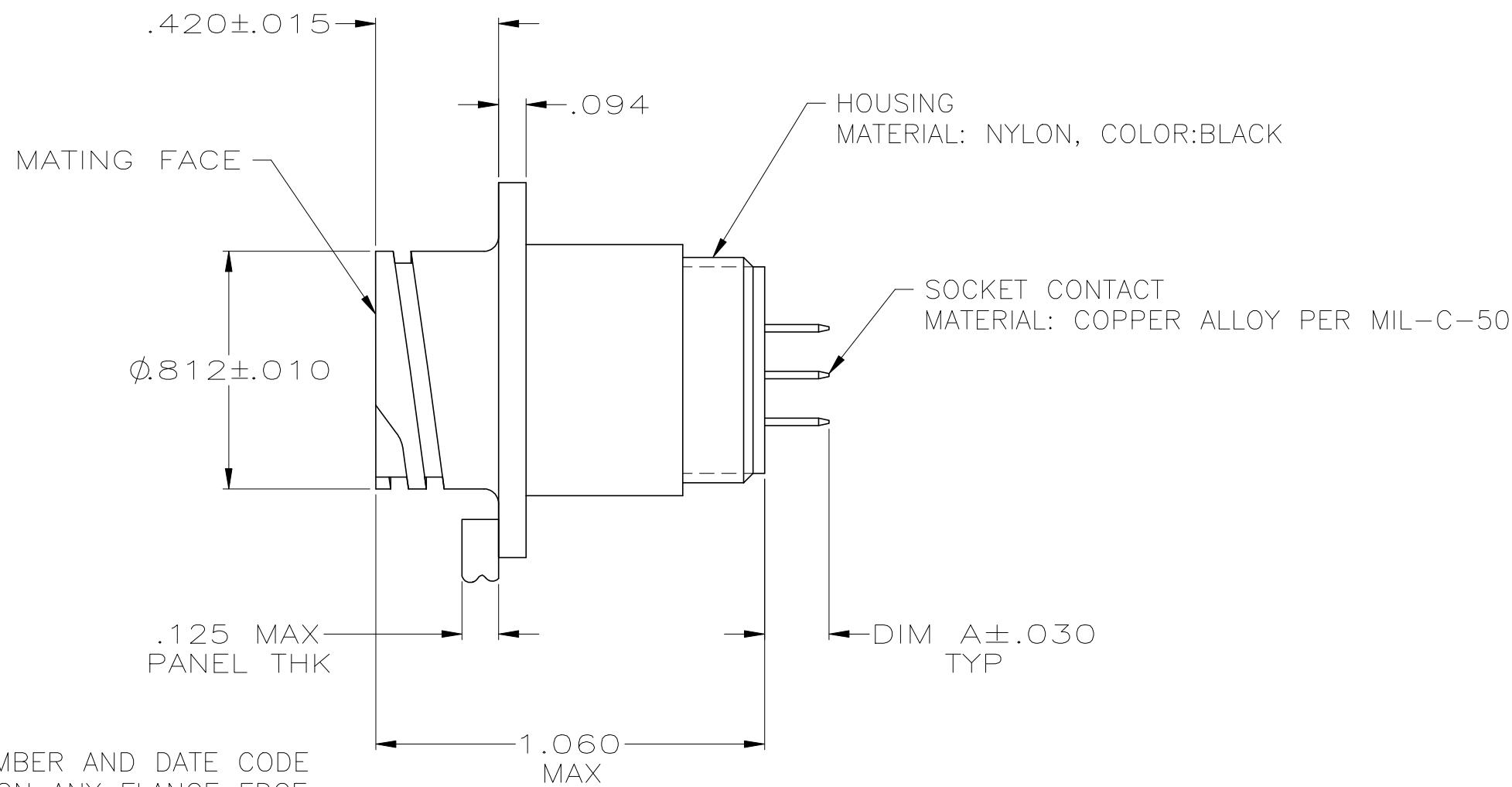
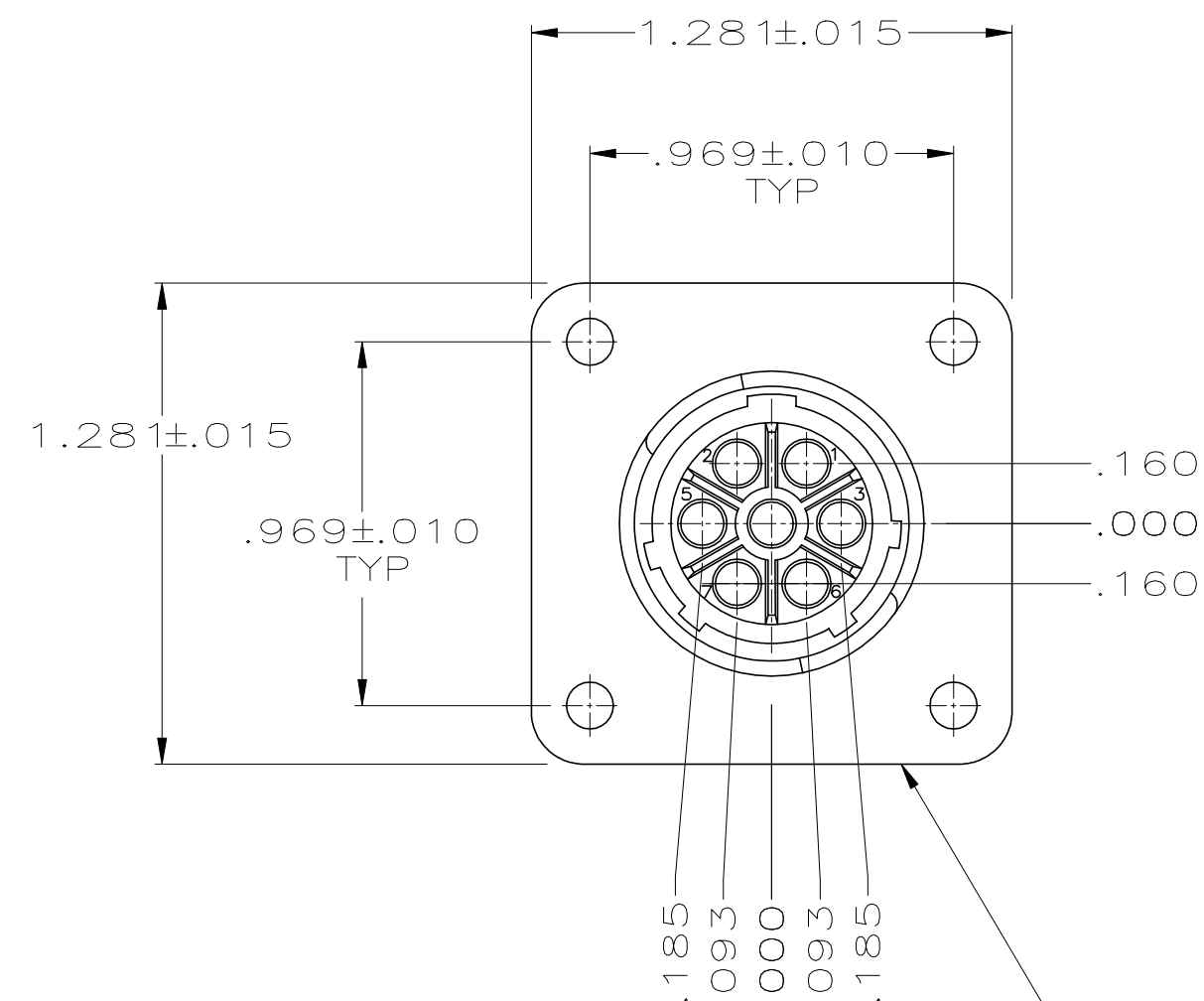


THIS DRAWING IS UNPUBLISHED. RELEASED FOR PUBLICATION
 © COPYRIGHT - By - ALL RIGHTS RESERVED.

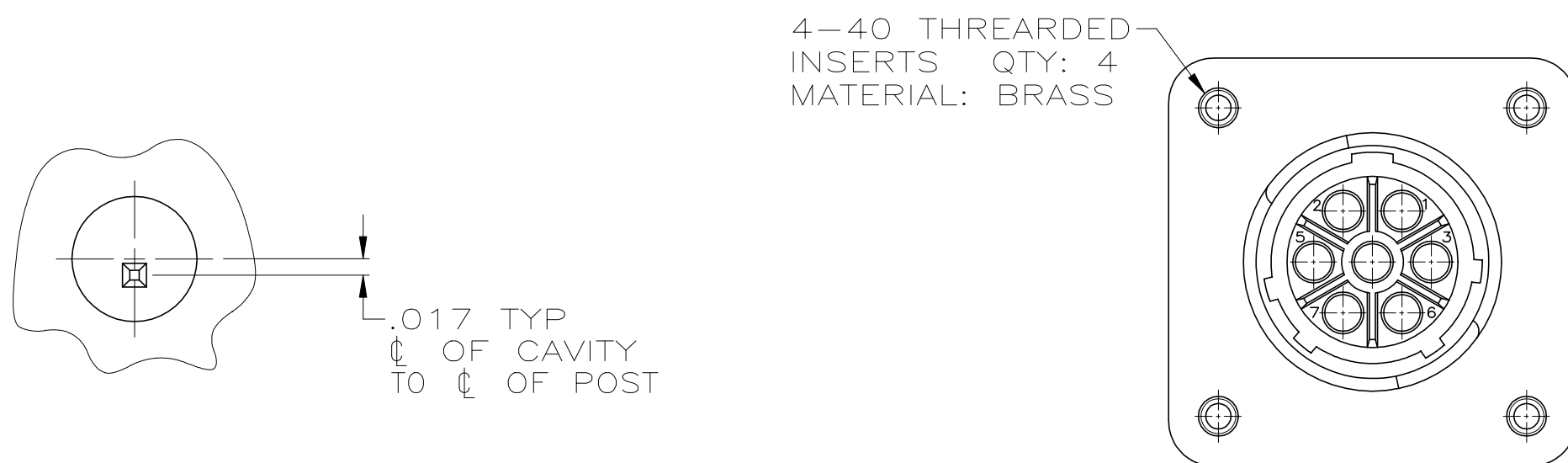
REVISIONS					
P	LTR	DESCRIPTION	DATE	DWN	APVD
	D2	REVISED PER ECO-19-009929	02JUL2019	RS	MZ
	D3	REVISED PER ECO-20-007441	02JUN2020	SM	MZ

- △1 CONTACT BODY: 30 μIN MIN GOLD IN CONTACT AREA, 5 μIN MIN GOLD ON REMAINDER, OVER 30 μIN MIN NICKEL.
CONTACT POST: 100 μIN MIN TIN OVER 50 μIN MIN NICKEL.
- △2 CONTACT BODY: 30 μIN MIN GOLD IN CONTACT AREA, OVER 30 μIN MIN NICKEL.
CONTACT POST: 100 μIN MIN TIN-LEADED, OVER 50 μIN MIN NICKEL.



PART NUMBER AND DATE CODE MARKED ON ANY FLANGE EDGE

.220	1986377-3
.557	1986377-2
.220	1986377-1
DIM A	PART NUMBER



4-40 THREADED INSERTS QTY: 4 MATERIAL: BRASS

POST ARRANGEMENT ON REAR FACE SCALE 6:1

1986377-2

THIS DRAWING IS A CONTROLLED DOCUMENT.		DWN S. SCHLEGEL 2/27/08		
DIMENSIONS: INCHES		CHK S. HEADER 2/27/08		
TOLERANCES UNLESS OTHERWISE SPECIFIED:		APVD S. HEADER 2/27/08	NAME	
0 PLC ± -	1 PLC ± -	PRODUCT SPEC	RECEPTACLE ASSY, POSTED, REV SEX, SERIES 1, SIZE 13-7, CPC	
2 PLC ± 0.13 [.005]	3 PLC ± -	APPLICATION SPEC	SIZE A2	CAGE CODE 00779
4 PLC ± -	ANGLES ± -	WEIGHT	DRAWING NO. 1986377	RESTRICTED TO -
MATERIAL SEE CALLOUTS	FINISH -	CUSTOMER DRAWING	SCALE 2:1	SHEET 1 OF 1
			REV D3	