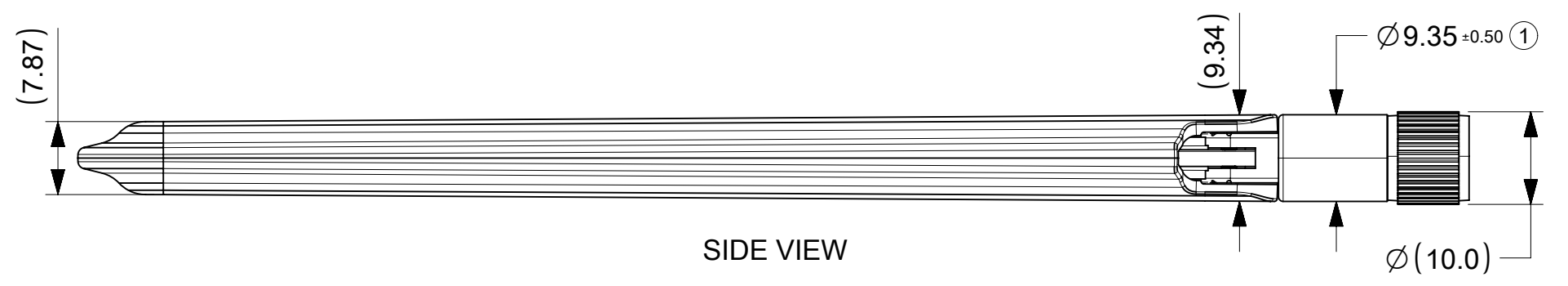
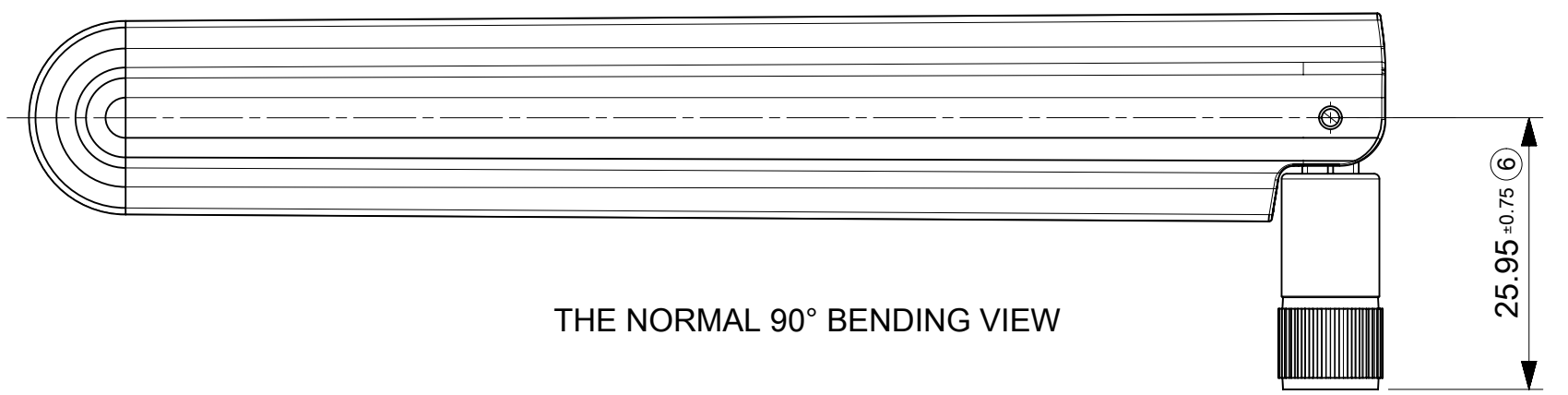
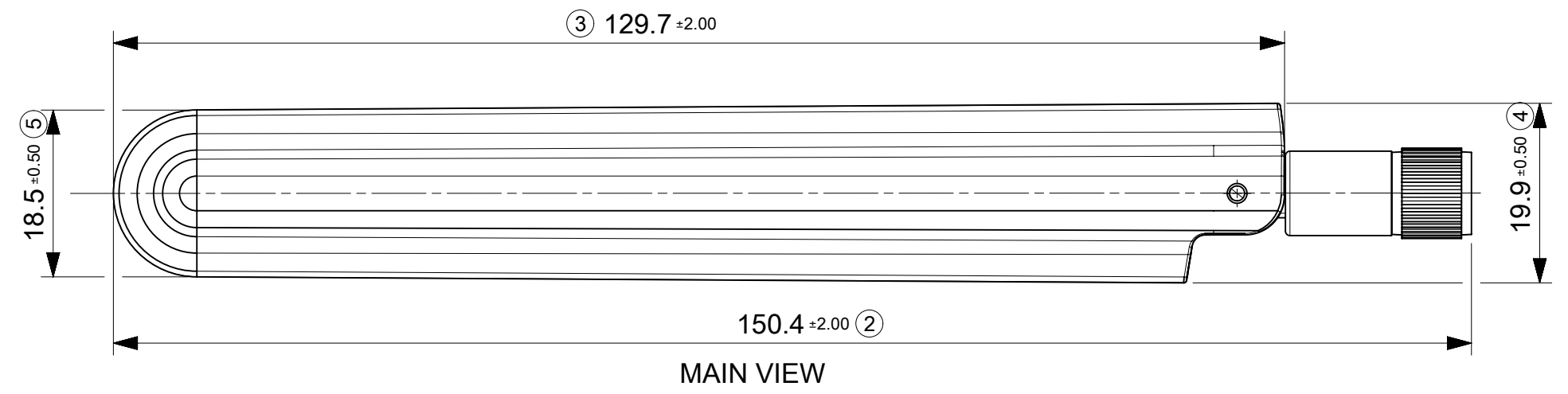
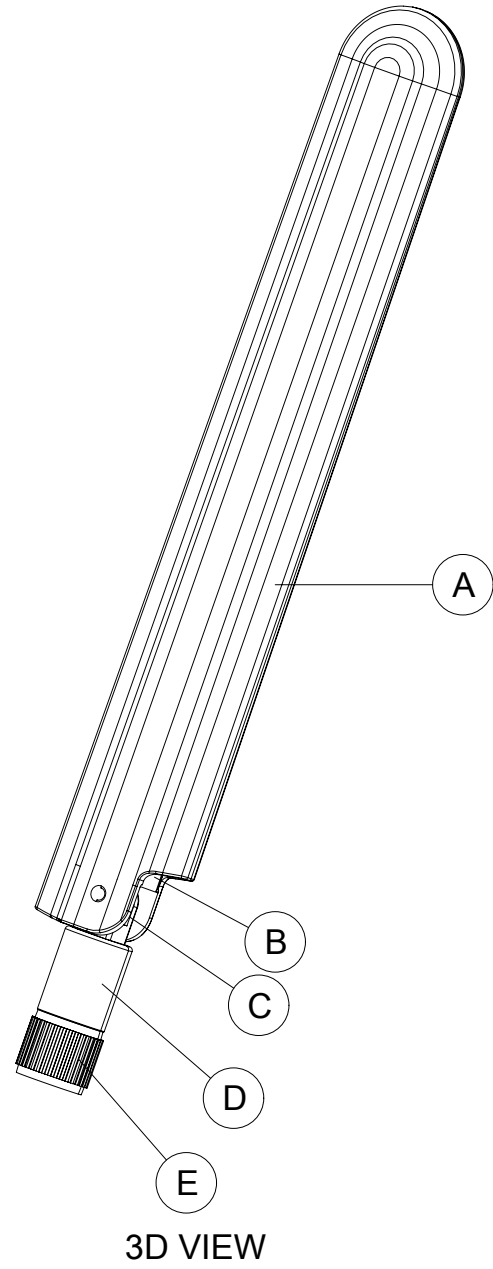


ITEM	MATERIAL NUMBER	DESCRIPTION
1	2203550001	MOLEX 5G<E ANTENNA LITE WITH SMA MALE
2	2203550011	MOLEX 5G<E ANTENNA LITE WITH RP-SMA MALE

REV	DATE	DESCRIPTION
A1	2022/10/27	FIRST RELEASE



- NOTES:
- FOR STRUCTURAL MATERIALS, PLEASE REFER TO THE MATERIAL FORM.
 - PACKAGE SPEC. REFER TO PK OF 2203550001
 - PRODUCT SPEC. REFER TO PS OF 2203550001
 - APPLICATION SPEC. REFER TO AS OF 2203550001

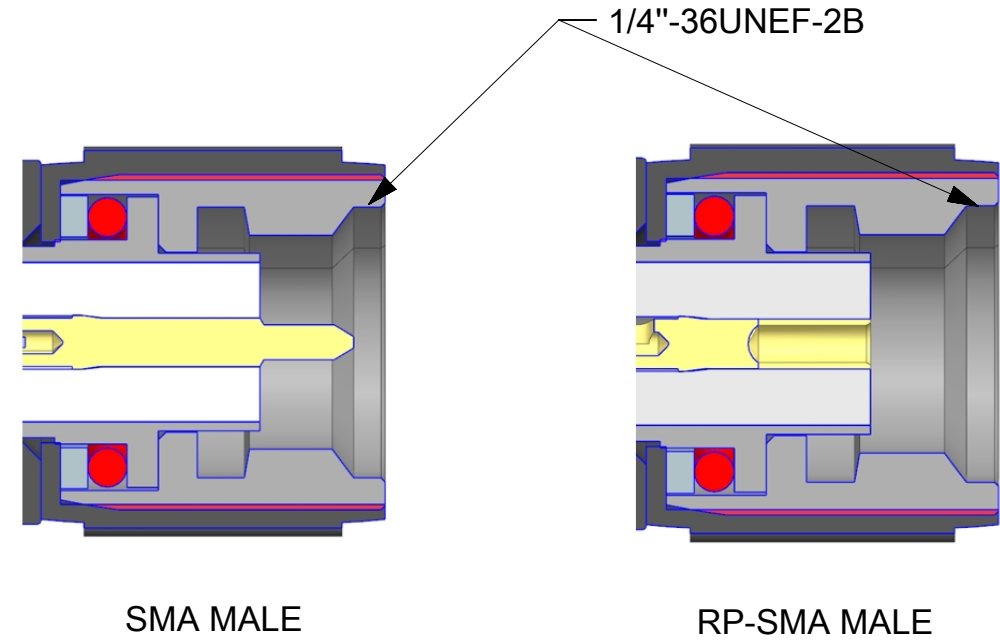
FUNCTIONAL SYMBOLS	THIS DRAWING CONTAINS INFORMATION THAT IS PROPRIETARY TO MOLEX ELECTRONIC TECHNOLOGIES, LLC AND SHOULD NOT BE USED WITHOUT WRITTEN PERMISSION			molex						
	∇A = 0	mm	1:1				MOLEX 5G<E ANTENNA LITE			
	∇E = 0	GENERAL TOLERANCES (UNLESS SPECIFIED)			PRODUCT CUSTOMER DRAWING					
	∇F = 0	ANGULAR TOL ± °			DOCUMENT NUMBER					
DIVISIONAL SYMBOLS	4 PLACES ±	EC NO: 726265			2022/10/27					
	3 PLACES ±	DRWN: KCHENG06			2022/10/28					
	2 PLACES ± 2.0	CHK'D: HORACM1			2022/10/28					
	1 PLACE ± 3.0	APPR: HORACM1			2022/10/28					
	0 PLACES ± 3.5	INITIAL REVISION:			2022/08/25					
DRAFT WHERE APPLICABLE MUST REMAIN WITHIN DIMENSIONS			THIRD ANGLE PROJECTION	DRAWING	SERIES	MATERIAL NUMBER	CUSTOMER	DOC TYPE	DOC PART	REVISION
			∅	A3-SIZE	220355	2203550001	GENERAL MARKET	PSD	000	A1
DOCUMENT STATUS			P1	RELEASE DATE	2022/10/28	07:32:34				
SHEET NUMBER						1 OF 2				

THIS MATERIAL TABLE IS APPLIED FOR ANTENNAS BELOW:
MOLEX P/N:2203550001

MATERIAL BOM		
ITEM	DESCRIPTION	
A	HOUSING CAP	ABS BLACK
B	PCB	FR-4
C	CABLE	RG178
D	BASE	PC+PBT BLACK
E	CONNECTOR	SMA MALE

THIS MATERIAL TABLE IS APPLIED FOR ANTENNAS BELOW:
MOLEX P/N:2203550011

MATERIAL BOM		
ITEM	DESCRIPTION	
A	HOUSING CAP	ABS BLACK
B	PCB	FR-4
C	CABLE	RG178
D	BASE	PC+PBT BLACK
E	CONNECTOR	RP-SMA MALE



FUNCTIONAL SYMBOLS $\nabla_A = 0$ $\nabla_F = 0$ $\nabla_P = 0$	THIS DRAWING CONTAINS INFORMATION THAT IS PROPRIETARY TO MOLEX ELECTRONIC TECHNOLOGIES, LLC AND SHOULD NOT BE USED WITHOUT WRITTEN PERMISSION DIMENSION UNITS: mm SCALE: 1:1	CURRENT REV DESC: EC NO: 726265 DRWN: KCHENG06 2022/10/27 CHK'D: HORACM1 2022/10/28 APPR: HORACM1 2022/10/28	molex			
	GENERAL TOLERANCES (UNLESS SPECIFIED) ANGULAR TOL ± ° 4 PLACES ± 3 PLACES ± 2 PLACES ± 2.0 1 PLACE ± 3.0 0 PLACES ± 3.5	INITIAL REVISION: DRWN: KCHENG06 2022/08/25 APPR: HORACM1 2022/09/22	DOCUMENT NUMBER 2203550001	DOC TYPE PSD	DOC PART 000	REVISION A1
	DIVISIONAL SYMBOLS	DRAFT WHERE APPLICABLE MUST REMAIN WITHIN DIMENSIONS THIRD ANGLE PROJECTION 	DRAWING A3-SIZE	SERIES 220355	MATERIAL NUMBER SEE TABLE	CUSTOMER GENERAL MARKET
				SHEET NUMBER 2 OF 2		