

**Ratings**

Temperature: -40 ~ 70 °C  
 Voltage: 150 V

**Conductor**

Gauge: 26 AWG, 0.13 mm<sup>2</sup>  
 Material: tinned copper strands  
 Stranding:  $\phi 0.08 \times 26$   
 Resistance at 20 °C: 150  $\Omega$ /km max

**Insulator**

Material: HDPE  
 Color: black, white, red  
 Outer diameter:  $\phi 0.9 \pm 0.10$  mm  
 Nominal thickness: 0.20 mm  
 Resistance at 20 °C: 1000 M $\Omega$ /km min

**Shield**

Type: spiral  
 Material: tinned copper strands  
 Strand size:  $\phi 0.08$  mm  
 Coverage: 90 % minimum

**Outer jacket**

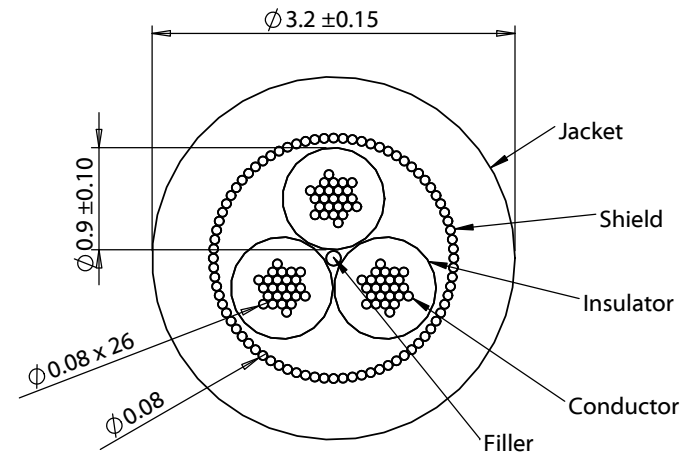
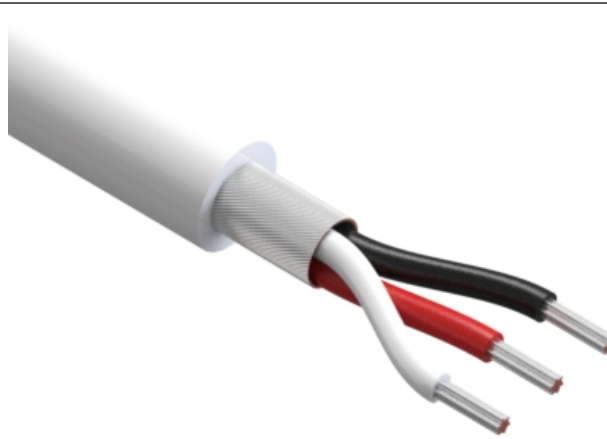
Material: TPU, 70 °C  
 Color: cool gray 1C  
 Nominal thickness: 0.50 mm  
 Diameter:  $\phi 3.2 \pm 0.15$  mm

**Filler**

Material: aramid fiber

**Tests**

Tensile strength: 35.7 kgf  
 Dielectric test: 1500 V dc for 1 minute without breakdown  
 Bend test at 200 g,  $\pm 90^\circ$ , 30 cycles /min: 15,000 cycle minimum



REVISION	DATE	DESCRIPTION
A	9/29/2015	Initial release
A1	1/13/2016	Updated notes, corrected tolerances
A2	1/17/2019	Changed filler material to generic name

PREPARED:  
 VERIFIED:  
 DIMENSIONS ARE IN MILLIMETERS  
 TOLERANCES:  
 X:  $\pm 0.5$  mm  
 X.X:  $\pm 0.3$  mm  
 X.XX:  $\pm 0.05$  mm

NOTES  
 RoHS and REACH compliant  
 Jacket meets ISO 10993 Biological Compatibility  
 Phthalate and halogen free  
 Function test: no open, no short, no intermittent  
 DESCRIPTION:  
 Wire, 3C TS, 26 AWG, 150V, 70C, 3.2 mm, spiral shield, TPU, white

**TENSILITY**  
 20802 Sockeye Place #130  
 Bend, OR 97701 USA  
 tel 541.323.3228 fax 541.323.4202  
 800 877.670.7118 www.tensility.com

SIZE	PART NUMBER
A	30-00458

SCALE: 1:1 SHEET 1 OF 1