

10 9 8 7 6 5 4 3 2 1

F

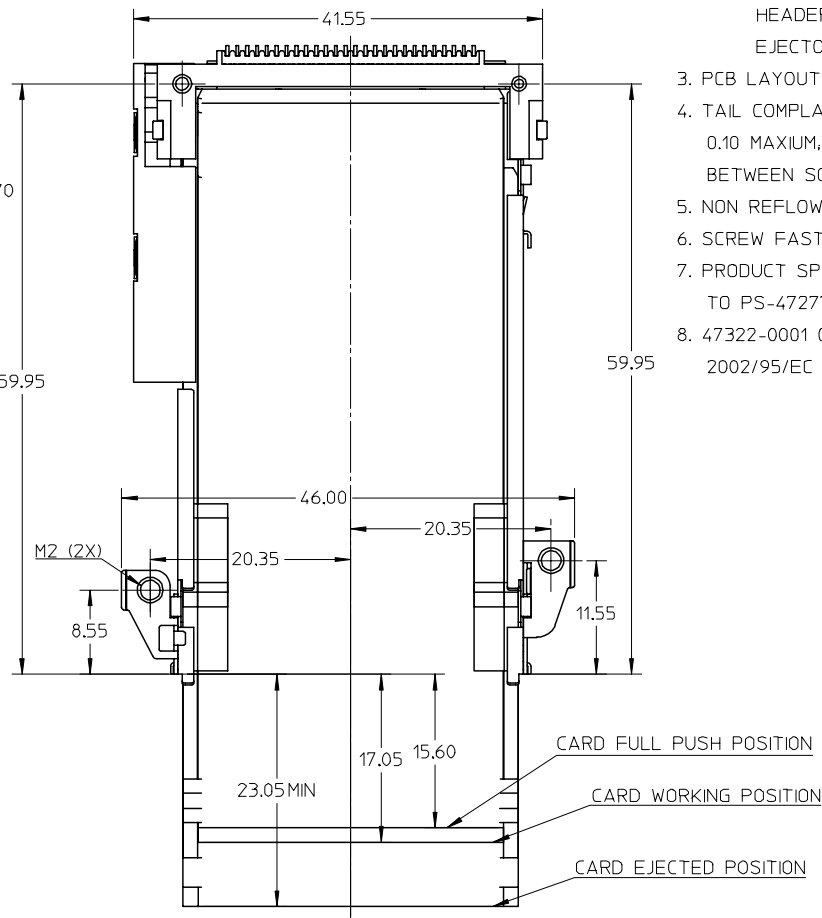
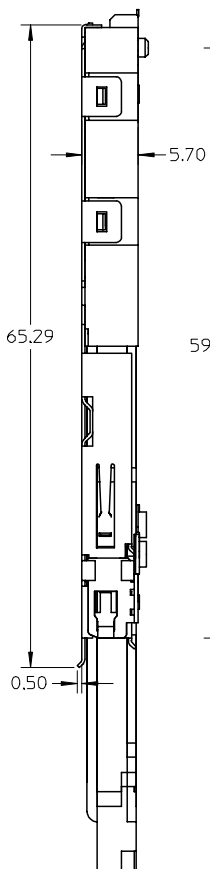
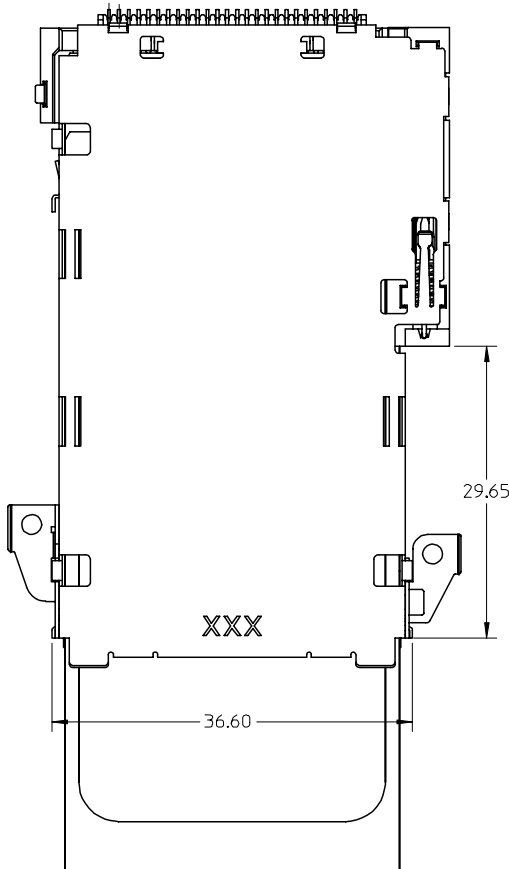
E

D

C

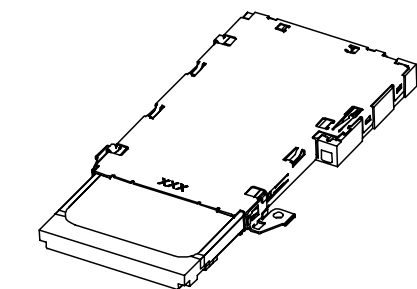
B

A



NOTES:

1. CONNECTOR DESIGN BASED ON EXPRESSCARD STANDARD;
2. COMPONENTS:
 HEADER: SHEET 2
 EJECTOR: SHEET 3
3. PCB LAYOUT PLEASE REFER TO SHEET 4,
4. TAIL COMPLANARITY OF HEADER TO BE 0.10 MAXIMUM, TRUE POSITION IS 0.15 MAXIMUM BETWEEN SOLDER TAILS;
5. NON REFLOW PROCESS FOR EJECTOR.
6. SCREW FASTENING TORQUE: 1.0 KGF-CM,
7. PRODUCT SPECIFICATION PLEASE REFER TO PS-47277-001.
8. 47322-0001 COMPLIANT TO RoHS DIRECTIVE 2002/95/EC AND ELV DIRECTIVE 2000/53/EC.



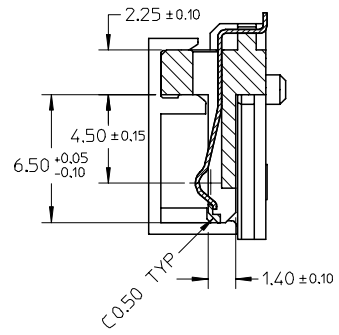
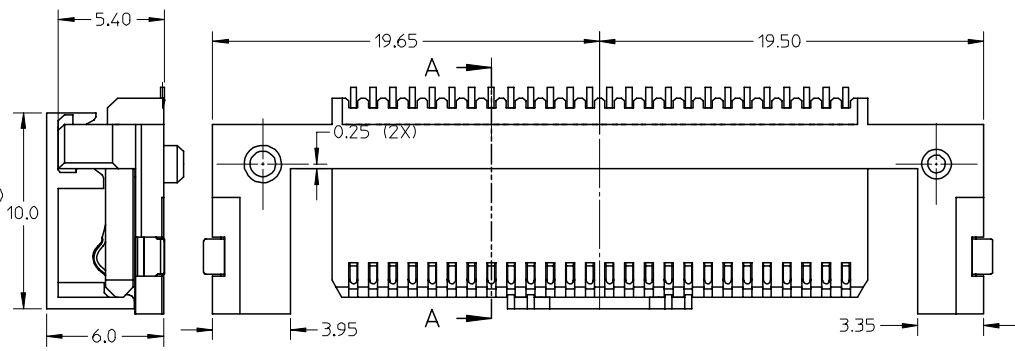
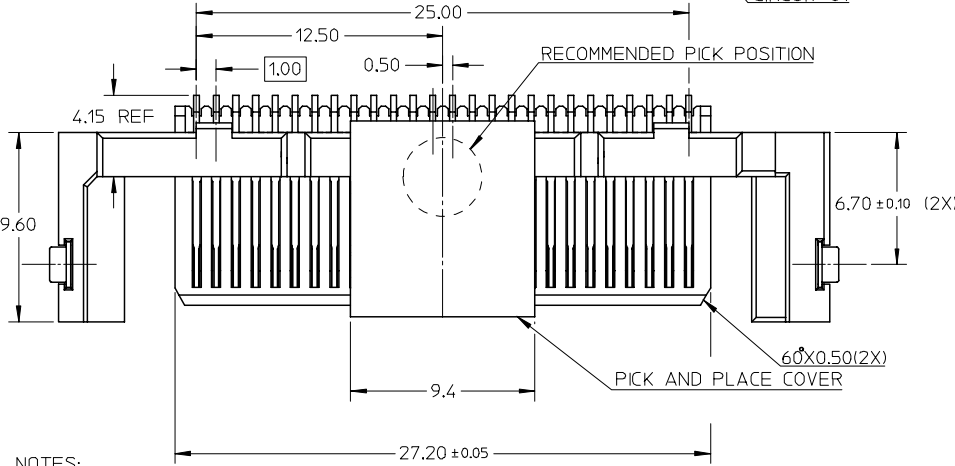
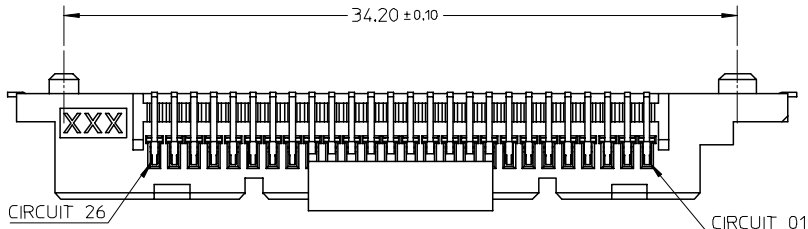
EC NO: SH2007-0352	2006/11/17
DRWN: OCHEN	2006/11/22
CHKD: HARVEY	2006/11/22
APPR: JNCHEN	2006/11/28
REV	DESCRIPTION
A1	

QUALITY SYMBOLS	▽=0
	▽C=0

GENERAL TOLERANCES (UNLESS SPECIFIED)	mm	INCH
4 PLACES	± 0.30	± 0.012
3 PLACES	± 0.25	± 0.010
2 PLACES	± 0.20	± 0.008
1 PLACE	± 0.15	± 0.006
ANGULAR ± 3 °		
DRAFT WHERE APPLICABLE MUST REMAIN WITHIN DIMENSIONS		

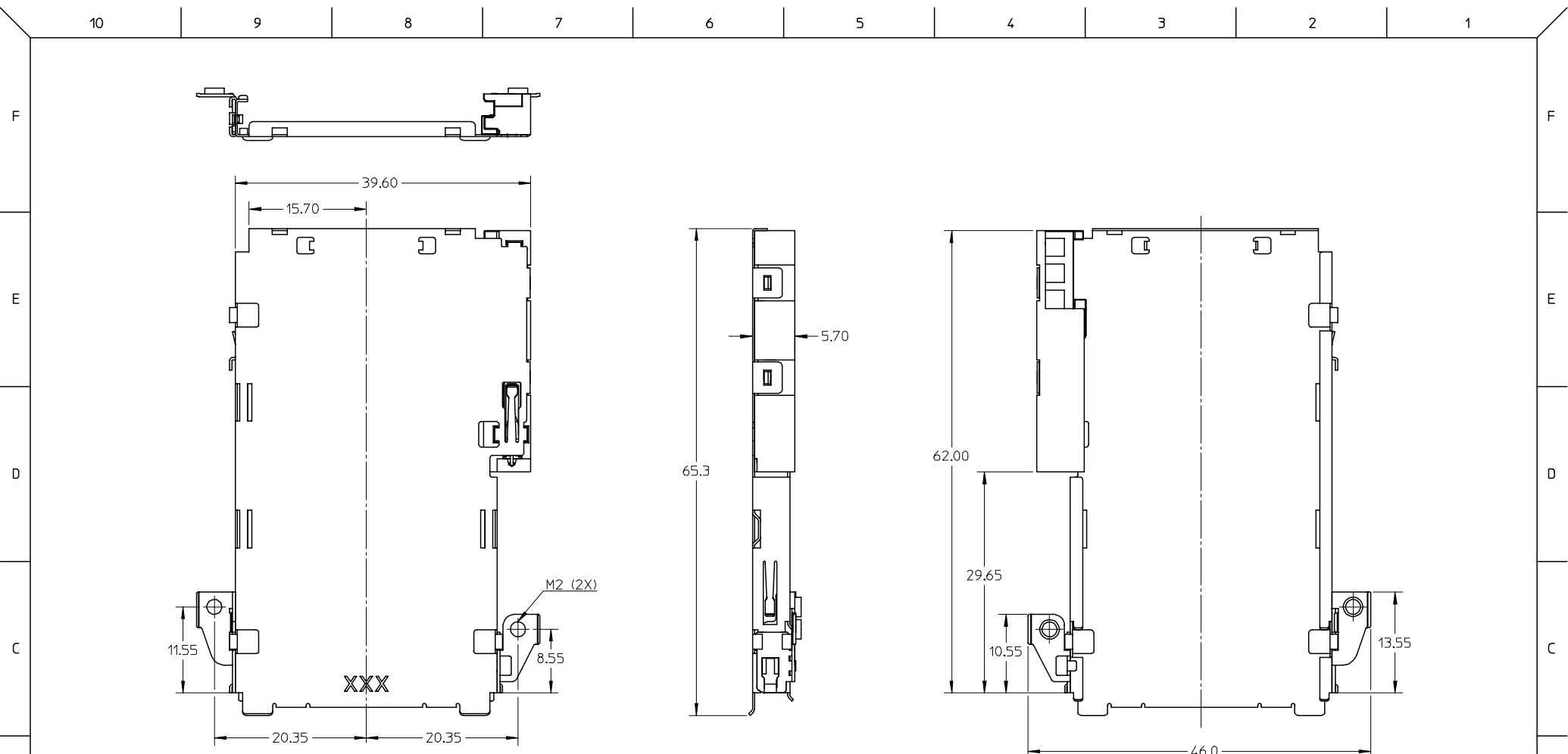
DIMENSION STYLE		SCALE	DESIGN UNITS	THIRD ANGLE PROJECTION
MM ONLY		NTS	METRIC	
DRAWN BY	DATE	TITLE		
R. BIAN	2005/05/20	EXPRESSCARD 34MM		
CHECKED BY	DATE	BOTTOM MOUNT		
HARVEY	2006/04/18	PUSH-PUSH TYPE		
APPROVED BY	DATE	MOLEX INCORPORATED		
JENNY	2006/04/18			
MATERIAL NO.	DOCUMENT NO.	SHEET NO.		
47322-0001	SD-47322-001	1 OF 4		
SIZE	THIS DRAWING CONTAINS INFORMATION THAT IS PROPRIETARY TO MOLEX INCORPORATED AND SHOULD NOT BE USED WITHOUT WRITTEN PERMISSION			
A3				

9 8 7 6 5 4 3 2 1



- NOTES:
- CONNECTOR DESIGN BASED ON EXPRESSCARD STANDARD;
 - MATERIAL:
 - HOUSING: LIQUID CRYSTAL POLYMER,
 - TERMINAL: PHOSPHOR BRONZE,
 - FITTING-NAIL: PHOSPHOR BRONZE,
 - PICK AND PLACE COVER: NYLON 46,
 - FINISH:
 - TERMINAL:
 - UNDERPLATING: Ni OVERALL,
 - SELECTIVE GOLD ON CONTACT AREA,
 - THICKNESS: 15 MICRINCH MINIMUM,
 - SELECTIVE PURE TIN ON SOLDER TAIL AREA,
 - THICKNESS: 40-100 MICRINCH,
 - COPLANARITY AT SOLDER TAIL TO BE 0.10 MAXIMUM;
 - APPLICABLE CARD SLOT PLEASE REFER TO SHEET 3
 - PRODUCT SPECIFICATION PLEASE REFER TO PS-47277-001
 - 47322-0002 COMPLIANT TO RoHS DIRECTIVE 2002/95/EC AND ELV DIRECTIVE 2000/53/EC.

EC NO: SH2007-0352 DRWN: OCHEN 2006/11/17 CHKD: HARVEY 2006/11/22 APPR: JNCHEN 2006/11/28	QUALITY SYMBOLS $\nabla = 0$ $\triangle = 0$	GENERAL TOLERANCES (UNLESS SPECIFIED)		DIMENSION STYLE MM ONLY		SCALE NTS	DESIGN UNITS METRIC	THIRD ANGLE PROJECTION		
				DRAWN BY R. BIAN		DATE 2005/05/20		TITLE EXPRESSCARD 34MM BOTTOM MOUNT PUSH-PUSH TYPE		
				CHECKED BY HARVEY		DATE 2006/04/18				
				APPROVED BY JENNY		DATE 2006/04/18		MOLEX INCORPORATED		
DRAFT WHERE APPLICABLE MUST REMAIN WITHIN DIMENSIONS		MATERIAL NO. 47322-0002		DOCUMENT NO. SD-47322-001		SHEET NO. 2 OF 4				
SIZE A3		THIS DRAWING CONTAINS INFORMATION THAT IS PROPRIETARY TO MOLEX INCORPORATED AND SHOULD NOT BE USED WITHOUT WRITTEN PERMISSION								



NOTES:

1. CONNECTOR DESIGN BASED ON EXPRESSCARD STANDARD;
2. THIS SLOT CAN ACCEPT ONLY 34MM EXPRESSCARD;
3. WHEN DELIVERING, THE CAM SLIDER MUST KEEP RELEASE STATUS;
4. PRODUCT SPEC PLEASE REFER TO PS-47277-001;
5. MATERIAL:

COIL SPRING: PIANO STEEL
 EJECTOR HOUSING: NYLON 46
 HOUSING SLOT: NYLON 46
 SHELL: STAINLESS STEEL
 CAM PIN: STAINLESS STEEL

6. 47322-0003 COMPLIANT TO RoHS DIRECTIVE 2002/95/EC AND ELV DIRECTIVE 2000/53/EC.

EC NO: SH2007-0352 DRWN: OCHEN 2006/11/17 CHKD: HARVEY 2006/11/22 APPR: JNCHEN 2006/11/28	QUALITY SYMBOLS ▽=0 ◻=0	GENERAL TOLERANCES (UNLESS SPECIFIED)		DIMENSION STYLE MM ONLY		SCALE NTS	DESIGN UNITS METRIC	THIRD ANGLE PROJECTION	
		4 PLACES ± --- ± --- 3 PLACES ± --- ± --- 2 PLACES ± 0.25 ± --- 1 PLACE ± 0.30 ± --- ANGULAR ± 3 °	mm INCH ± --- ± --- ± 0.25 ± --- ± 0.30 ± --- ± 3 °	DRAWN BY R. BIAN	DATE 2005/05/20	TITLE EXPRESSCARD 34MM BOTTOM MOUNT PUSH-PUSH TYPE		MOLEX INCORPORATED	
A1	REV	DRAFT WHERE APPLICABLE MUST REMAIN WITHIN DIMENSIONS		APPROVED BY JENNY	DATE 2006/04/18	MATERIAL NO. 47322-0003	DOCUMENT NO. SD-47322-001	SHEET NO. 3 OF 4	

10 9 8 7 6 5 4 3 2 1

F

E

D

C

B

A

F

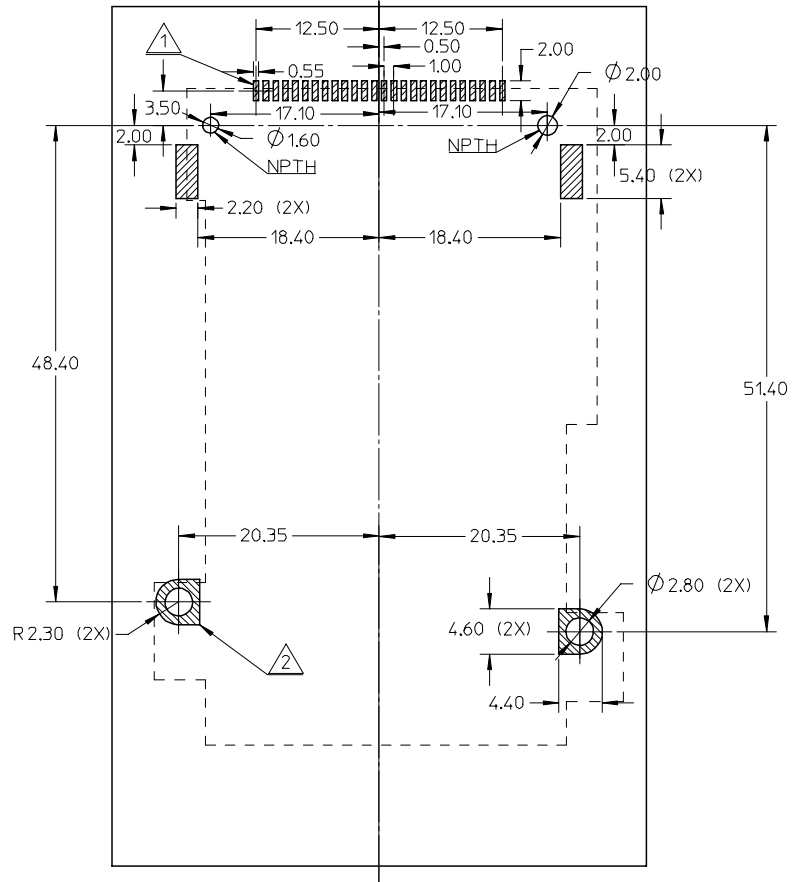
E

D

C

B

A



NOTES:

- 1. SOLDER PAD AREA
- 2. GROUNDING PAD AREA

RECOMMENDED PCB LAYOUT
COMPONENT SIDE

EC NO: SH2007-0352 DRWN: OCHEN 2006/11/17 CHKD: HARVEY 2006/11/22 APPR: JNCHEN 2006/11/28	QUALITY SYMBOLS ▽=0 ▽=0	GENERAL TOLERANCES (UNLESS SPECIFIED)		DIMENSION STYLE MM ONLY		SCALE NTS	DESIGN UNITS METRIC	THIRD ANGLE PROJECTION		
			mm	INCH	DRAWN BY R. BIAN	DATE 2005/05/20	EXPRESSCARD 34MM BOTTOM MOUNT PUSH-PUSH TYPE			
		4 PLACES	± ---	± ---	CHECKED BY HARVEY	DATE 2006/04/18				
		3 PLACES	± ---	± ---	APPROVED BY JENNY		DATE 2006/04/18	MOLEX INCORPORATED		
2 PLACES	± 0.05	± ---	DRAFT WHERE APPLICABLE MUST REMAIN WITHIN DIMENSIONS		MATERIAL NO. N/A	DOCUMENT NO. SD-47322-001	SHEET NO. 4 OF 4			
1 PLACE	±	± ---	THIS DRAWING CONTAINS INFORMATION THAT IS PROPRIETARY TO MOLEX INCORPORATED AND SHOULD NOT BE USED WITHOUT WRITTEN PERMISSION							

9 8 7 6 5 4 3 2 1