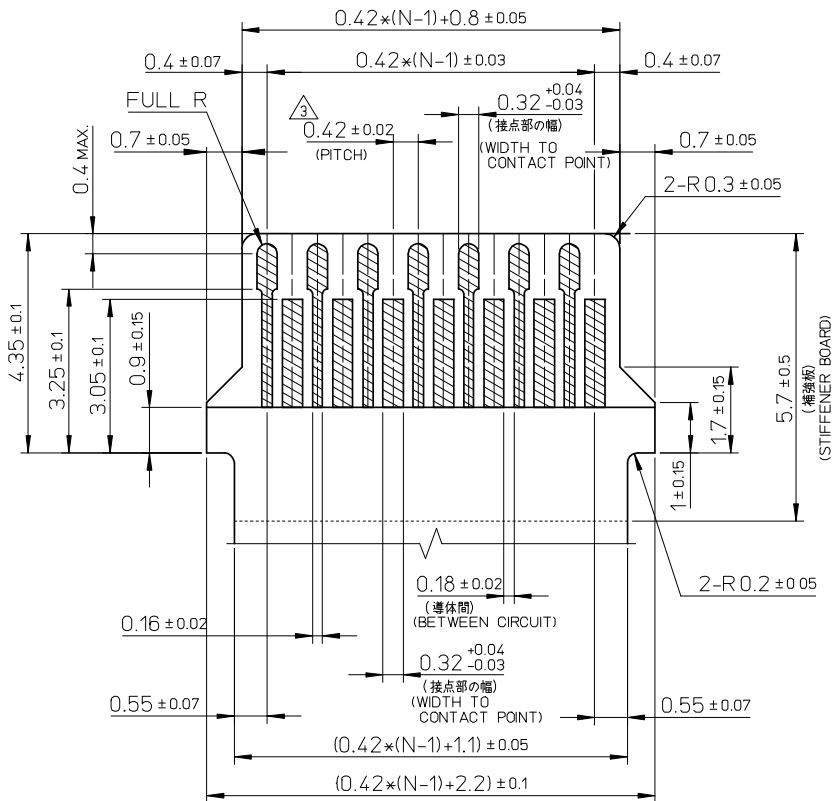


502555-1360	502555-1369	136
EMBOSSD TAPE		CIRCUIT
ORDER NO. オーダー番号		MATERIAL NO.

RELEASED EC NO: J2008-4046 DRW: K.MURAKAMI 2008/05/28 CHKD: K.TAKAHASHI 2008/05/28 APPR: K.TAKAHASHI 2008/05/29	GENERAL TOLERANCES (UNLESS SPECIFIED)		DIMENSION STYLE MM ONLY		SCALE 4:1	DESIGN UNITS METRIC	THIRD ANGLE PROJECTION
	10 UNDER	± 0.3	DRAWN BY K.MURAKAMI	DATE 2008/05/27	TITLE 0.42 FPC CONN HSG ASSY UPR CONT WITH DUSTCOVER		
	10 OVER 30 UNDER	± 0.3	CHECKED BY K.TAKAHASHI	DATE 2008/05/27	MOLEX MOLEX INCORPORATED		
	30 OVER	± 0.3	APPROVED BY H.HIRATA	DATE 2008/05/27	DOCUMENT NO. SD-502555-001		
	ANGULAR ±1° DRAFT WHERE APPLICABLE MUST REMAIN WITHIN DIMENSIONS		MATERIAL NO. SEE CHART		SHEET NO. 1 OF 3		



FPCについて:

抜き方向は、導体側から補強板側を推奨致します。
 補強フィルム材質は、ポリイミドを推奨致します。
 接着剤は熱硬化接着剤を推奨致します。
 尚、接着剤の接点部への付着は導通不良の原因になりますので、
 染み出しが無い様、お願い致します。

ABOUT FPC:

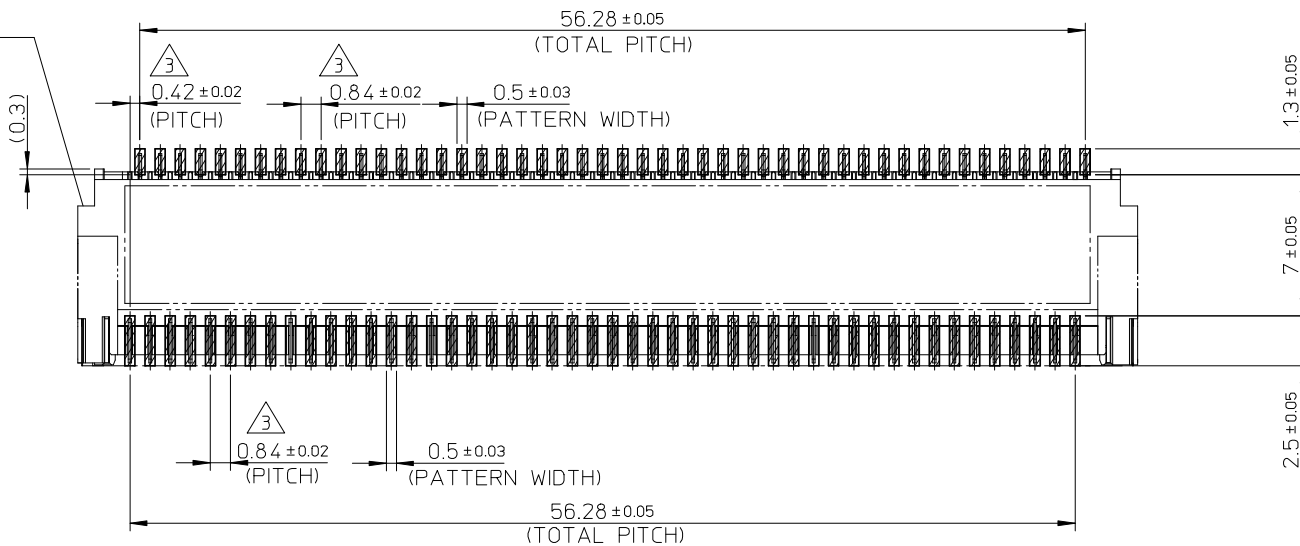
RECOMMENDED PUNCHER DIRECTION:
 FROM CONDUCTOR SIDE TO STIFFNER FILM SIDE.
 RECOMMENDED MATERIAL:
 STIFFENER FILM : POLYIMIDE
 BONDING AGENT : THERMOSETTING AGENT
 PLEASE PUT APPROPRIATE AMOUNT OF ADHESIVE ON THE
 CONTACT AREA BECAUSE THE EXTRA ADHESIVE MAY CAUSE
 THE DEFECT IN ELECTRICAL CONTINUITY.

適合FPC推奨寸法
 APPLICABLE FPC
 RECOMMENDED DIMENSION

(仕上がり厚さ : 0.3±0.05)
 (THICKNESS : 0.3±0.05)

RELEASED EC NO: J2008-4046 DRWN: K.MURAKAMI 2008/05/28 CHKD: K.TAKAHASHI 2008/05/28 APPR: K.TAKAHASHI 2008/05/29	DESCRIPTION GENERAL TOLERANCES (UNLESS SPECIFIED)	10 UNDER ±0.3 10 OVER 30 UNDER ±0.3 30 OVER ±0.3	DIMENSION STYLE MM ONLY	SCALE 1:1	DESIGN UNITS METRIC	THIRD ANGLE PROJECTION	
		DRAFT WHERE APPLICABLE MUST REMAIN WITHIN DIMENSIONS	DRAWN BY K.MURAKAMI	DATE 2008/05/27	TITLE 0.42 FPC CONN HSG ASSY UPR CONT WITH DUSTCOVER		
		ANGULAR ±1°	CHECKED BY K.TAKAHASHI	DATE 2008/05/27	MOLEX INCORPORATED		
		SEE CHART	APPROVED BY H.HIRATA	DATE 2008/05/27	MATERIAL NO.	DOCUMENT NO. SD-502555-001	SHEET NO. 2 OF 3

コネクタ位置
CONNECTOR POSITION



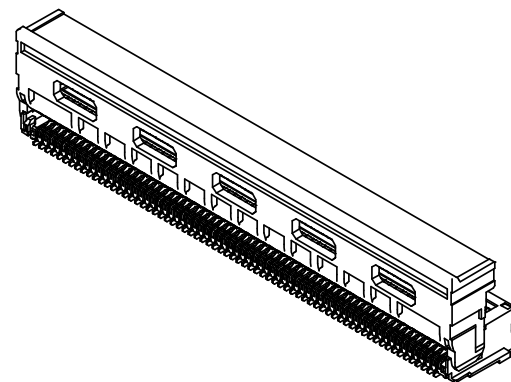
参考基板レイアウト図
RECOMMENDED P.C.BOARD
PATTERN DIM(REF)

(マウント面)
(MOUNTING SIDE)

注記 NOTES

1. 使用材料 MATERIAL
ハウジング: 液晶ポリマー ガラス充填 UL94V-0
HOUSING: LIQUID CRYSTAL POLYMER (GLASS FILLED) UL94V-0
アクチュエータ: PPS、ガラス充填 UL94V-0
ACTUATOR: POLYPHENYLENESULFIDE (GLASS FILLED) UL94V-0
ターミナル: リン青銅 (±0.15)
TERMINAL: PHOSPHOR-BRONZE
メッキ
PLATING
コンタクト: ニッケル下地
CONTACT AREA: GOLD(0.1 MICROMETER MIN. FOR SEALING DEPOSITION) OVER NICKEL PLATING
テール: ニッケル下地
TAIL AREA: GOLD(0.05 MICROMETER MIN. FOR SEALING DEPOSITION) OVER NICKEL PLATING

4. そり/ねじれ調整により、外観形状が変更することがあります。外形寸法が変更する場合は、別途協議させていただきます。
THE EXTERNALS SHAPE CHANGES BY WARP/TWIST ADJUSTMENT OCCASIONALLY. WE WILL CONFER SEPARATELY WHEN EXTERNALS SIZE CHANGES.
5. 推奨ペースト厚: 150µm
RECOMMEND SCREEN THICKNESS : 150µm
6. ELV 及び RoHS 適合品
ELV AND RoHS COMPLIANT



△. ソルダータール半田付け面のズレ量は、基準面 Y に対し、上方向 0.05 MAXIMUM、下方向 0.25 MAXIMUM とする。又、相互のパラッキ量は、0.1 MAXIMUM とする。
MISALIGNMENT OF SOLDER TAILS FROM Y UPPER DIRECTION : 0.05 MAXIMUM, LOWER DIRECTION : 0.25 MAX. OFFSET BETWEEN SOLDER TAILS AND FITTING NAILS : 0.1 MAX.

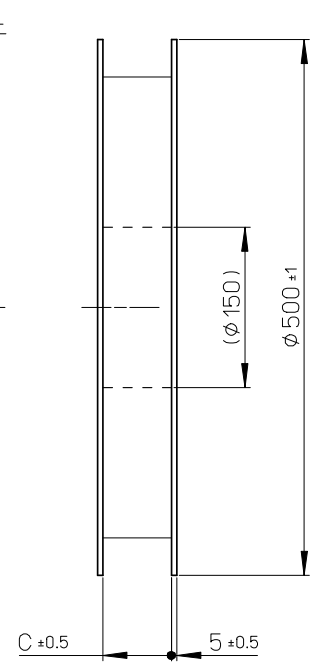
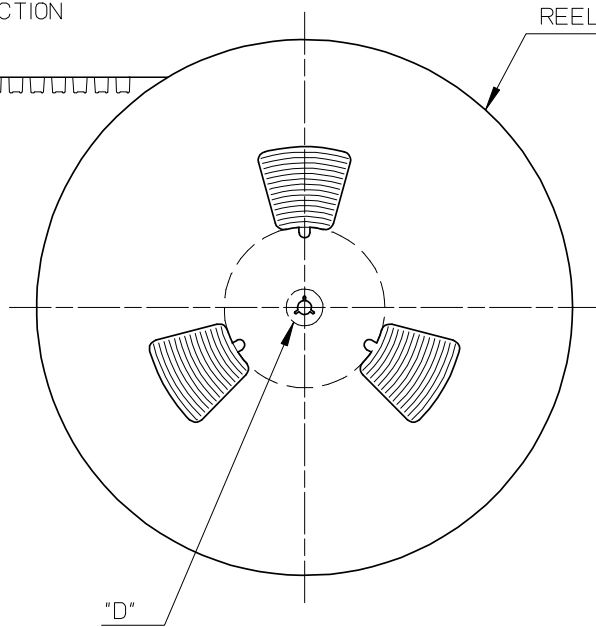
△. 公差非累積のこと。
NON-ACCUMULATIVE.

RELEASED EC NO: J2008-4046 DRW: K. MURAKAMI 2008/05/28 CHKD: K. TAKAHASHI 2008/05/28 APPR: K. TAKAHASHI 2008/05/29	DESCRIPTION	GENERAL TOLERANCES (UNLESS SPECIFIED)		DIMENSION STYLE MM ONLY		SCALE --#	DESIGN UNITS METRIC	THIRD ANGLE PROJECTION		
		10 UNDER	±0.3	DRAWN BY K. MURAKAMI	DATE 2008/05/27	TITLE 0.42 FPC CONN HSG ASSY UPR CONT WITH DUSTCOVER				
		10 OVER 30 UNDER	±0.3	CHECKED BY K. TAKAHASHI	DATE 2008/05/27					
		30 OVER	±0.3	APPROVED BY H. HIRATA	DATE 2008/05/27	MOLEX INCORPORATED				
A	REV	DRAFT WHERE APPLICABLE MUST REMAIN WITHIN DIMENSIONS		SEE CHART		MATERIAL NO.	DOCUMENT NO. SD-502555-001	SHEET NO. 3 OF 3		
				THIS DRAWING CONTAINS INFORMATION THAT IS PROPRIETARY TO MOLEX INCORPORATED AND SHOULD NOT BE USED WITHOUT WRITTEN PERMISSION						

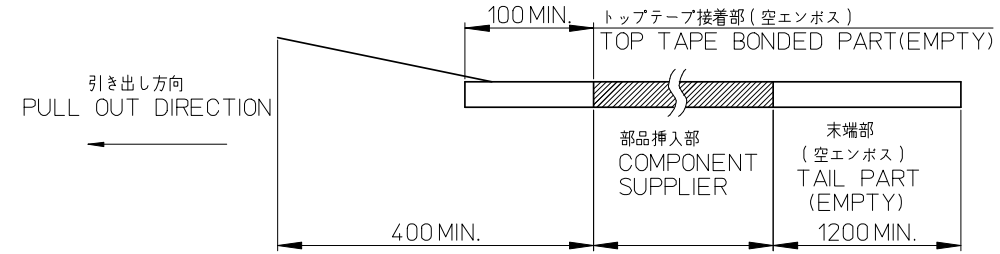
NOTES

1. 製品詳細寸法については図面 SD-502555-001を参照下さい。
RE DETAILED DIMENSION, SEE SD-502555-001
2. 梱包数量: 500 個/リール
NUMBER OF CONNECTORS : 500 PCS/REEL
3. リードテープ長さ
LEAD TAPE LENGTH

引き出し方向
PULL OUT DIRECTION

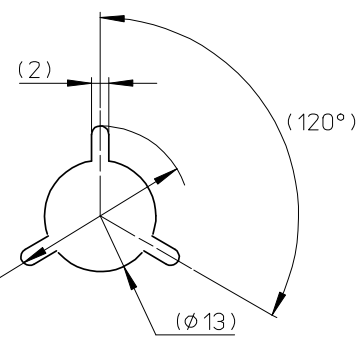


トップテープ未接着部
TOP TAPE NON-BONDED PART



4. 材料(MATERIAL)
 キャリアテープ(CARRIER TAPE) : ホリプロピレン
 POLYPROPYLENE
 トップテープ(TOP TAPE) : PET , PE
 リール(REEL) : 紙製
 PAPER

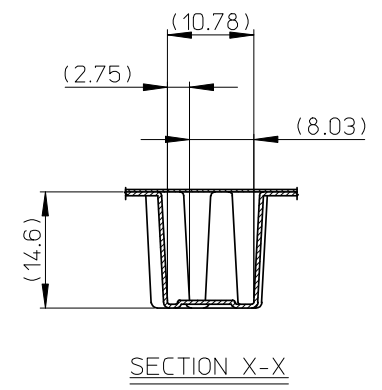
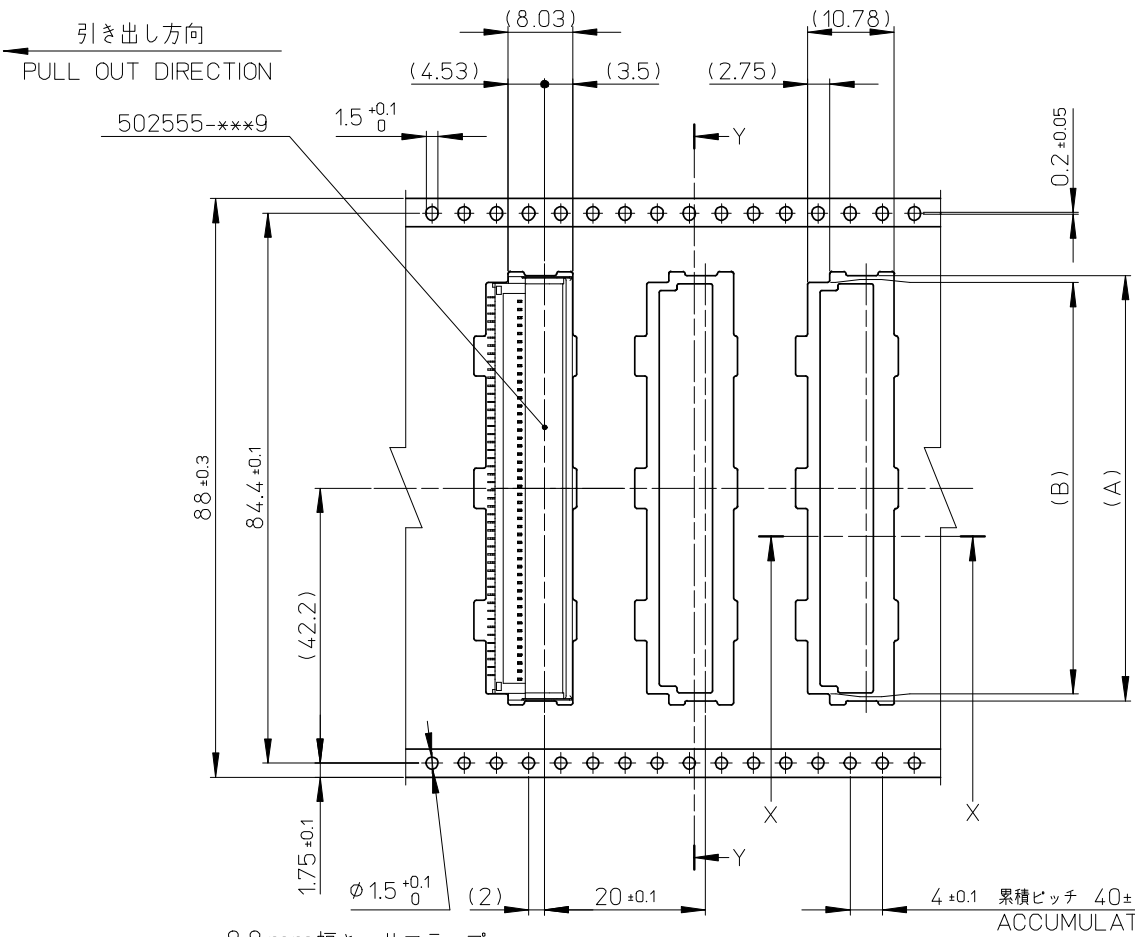
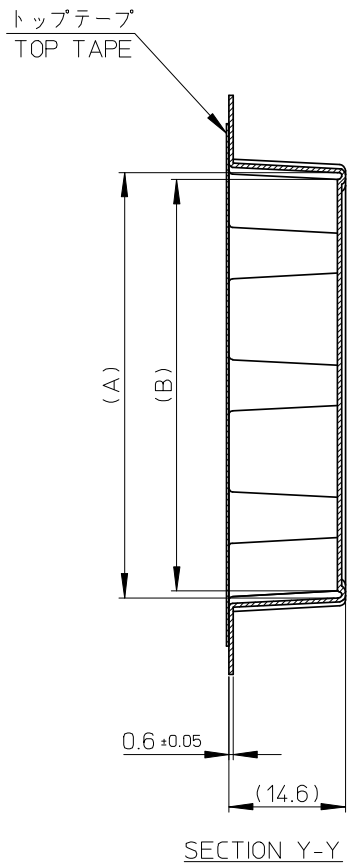
5. ELV 及び RoHS 適合品
ELV AND RoHS COMPLIANT



DETAIL "D"

MODEL NO. 502555-***0

RELEASED EC NO: J2008-4046 DRWN:KOMURAKAMI 2008/05/28 CH'KD:TAKAHASHI 2008/05/28 APPR:KATAHASHI 2008/05/29	GENERAL TOLERANCES (UNLESS SPECIFIED)		DIMENSION STYLE MM ONLY		SCALE ---	DESIGN UNITS METRIC	THIRD ANGLE PROJECTION	
	10 UNDER	± ---	DRAWN BY K. MURAKAMI	DATE 2008/05/27	TITLE 0.42 FPC CONN EO HSG ASSY UPR CONT WITH DUSTCOVER EMBSTP PKG			
	10 OVER 30 UNDER	± ---	CHECKED BY K. TAKAHASHI	DATE 2008/05/27				
	30 OVER	± ---	APPROVED BY H. HIRATA	DATE 2008/05/27	MOLEX INCORPORATED			
	ANGULAR	± --- °	MATERIAL NO.	DOCUMENT NO.				
	DRAFT WHERE APPLICABLE MUST REMAIN WITHIN DIMENSIONS		SEE SHEET 2 OF 2		SD-502555-002		SHEET NO. 1 OF 2	
SIZE A3		THIS DRAWING CONTAINS INFORMATION THAT IS PROPRIETARY TO MOLEX INCORPORATED AND SHOULD NOT BE USED WITHOUT WRITTEN PERMISSION						



88mm幅キャリアテープ
88mm WIDTH CARRIER TAPE

88	91	60.2	61.9	502555-1360	136
キャリアテープ幅 CARRIER TAPE WIDTH	C	(B)	(A)	製品番号 MATERIAL No	極数 Ckt

RELEASED EC NO: J2008-4046 DRWN:KOMURAKAMI 2008/05/28 CHKD:KTAKAHASHI 2008/05/28 APPR:KTAKAHASHI 2008/05/29	GENERAL TOLERANCES (UNLESS SPECIFIED)		DIMENSION STYLE MM ONLY		SCALE ---	DESIGN UNITS METRIC	THIRD ANGLE PROJECTION	
	10 UNDER	± ---	DRAWN BY K. TAKAHASHI	DATE 2008/05/27	TITLE 0.42 FPC CONN EO HSG ASSY UPR CONT WITH DUSTCOVER EMBSTP PKG			
	10 OVER 30 UNDER	± ---	CHECKED BY K. TAKAHASHI	DATE 2008/05/27				
	30 OVER	± ---	APPROVED BY H. HIRATA 2008/05/27		MOLEX INCORPORATED			
	ANGULAR	± --- °	MATERIAL NO. SEE CHART		DOCUMENT NO. SD-502555-002		SHEET NO. 2 OF 2	
DRAFT WHERE APPLICABLE MUST REMAIN WITHIN DIMENSIONS		THIS DRAWING CONTAINS INFORMATION THAT IS PROPRIETARY TO MOLEX INCORPORATED AND SHOULD NOT BE USED WITHOUT WRITTEN PERMISSION						