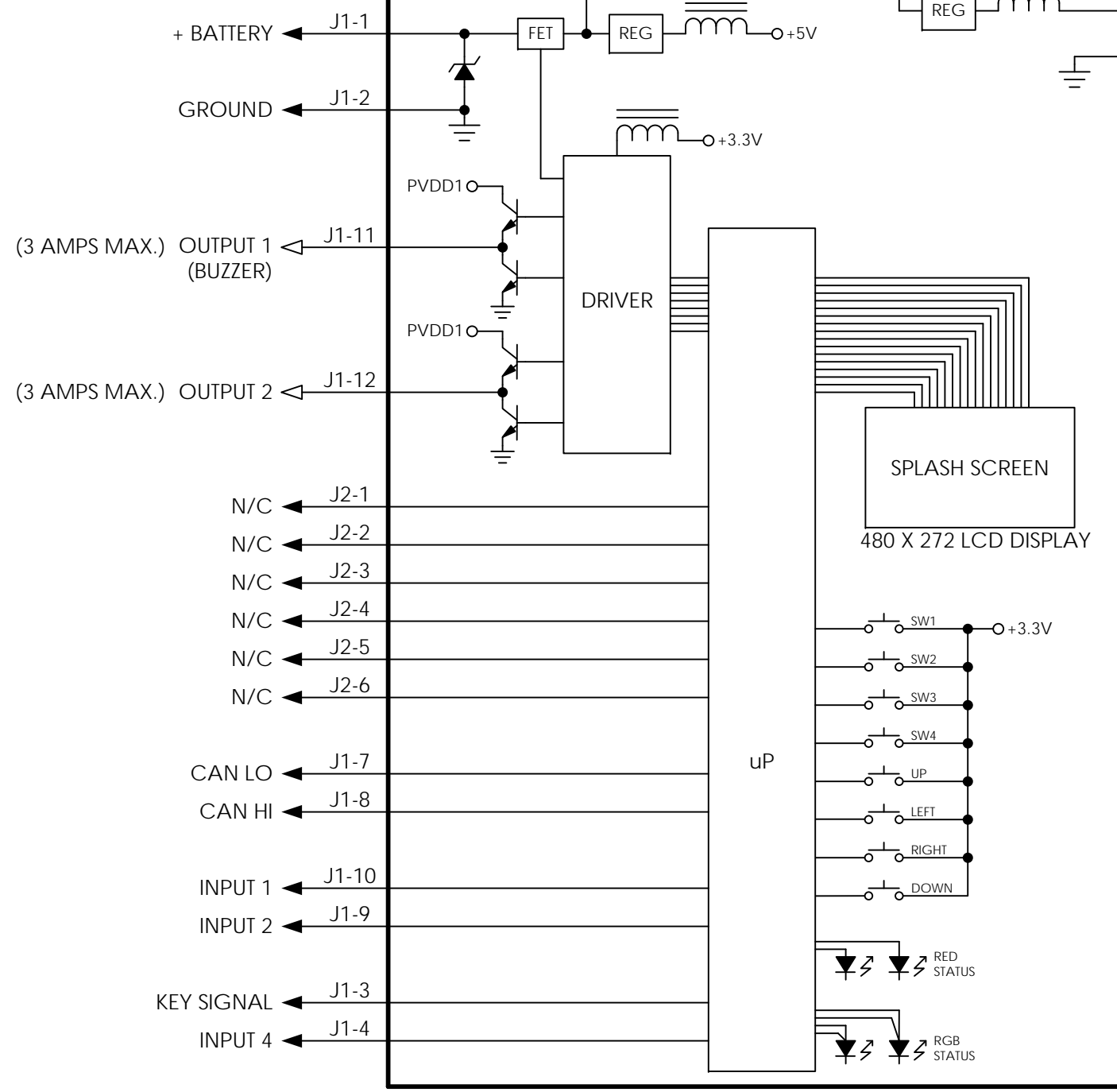


→ INPUT
 ▷ OUTPUT

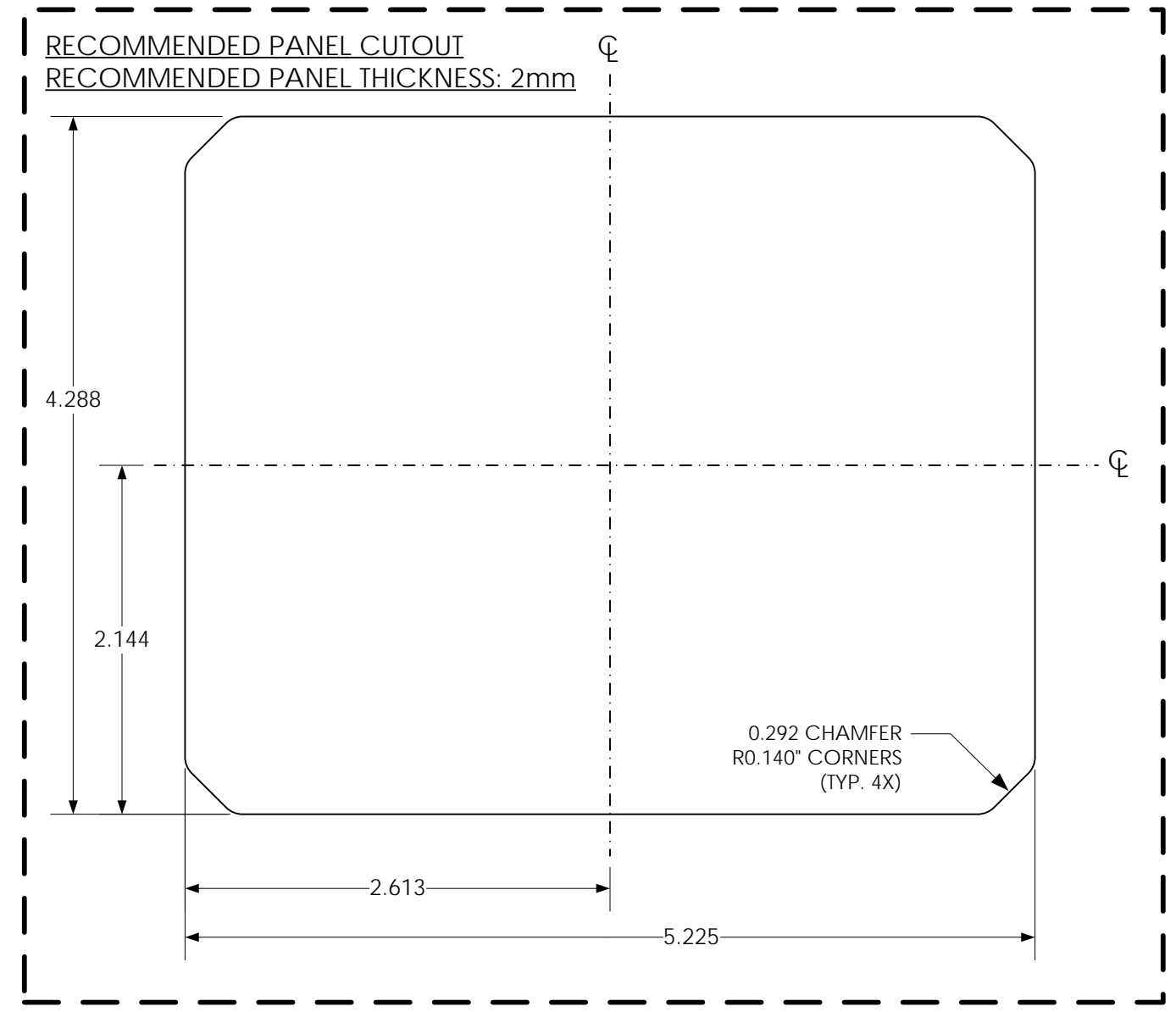


OPERATING VOLTAGE: 9-36 VDC (12VDC OR 24VDC NOMINAL)
 CANBUS PROTOCOL: SAE J1939/ISO 11783, 250KB/S
 505404 SOURCE ADDRESS: 0x28
 TERMINATION: NONE

NOTES:
 1. ROHS COMPLIANT
 2. WEEE DIRECTIVE; TEXTRON RESPONSIBLE FOR COLLECTION AND RECYCLING AT THE END OF LIFE.

THE INFORMATION CONTAINED ON THIS DRAWING IS PROPRIETARY AND CONFIDENTIAL TO MARLIN TECHNOLOGIES INC. UNAUTHORIZED USE OR DISTRIBUTION WITHOUT CONSENT IS PROHIBITED.

REVISIONS				
REV	DATE	ECN	DESCRIPTION	APVD
A	11/07/18	12943E	RELEASE TO PRODUCTION	SMJ
B	01/30/20	13369E	SOFTWARE CHANGED TO 13368\$	SMJ



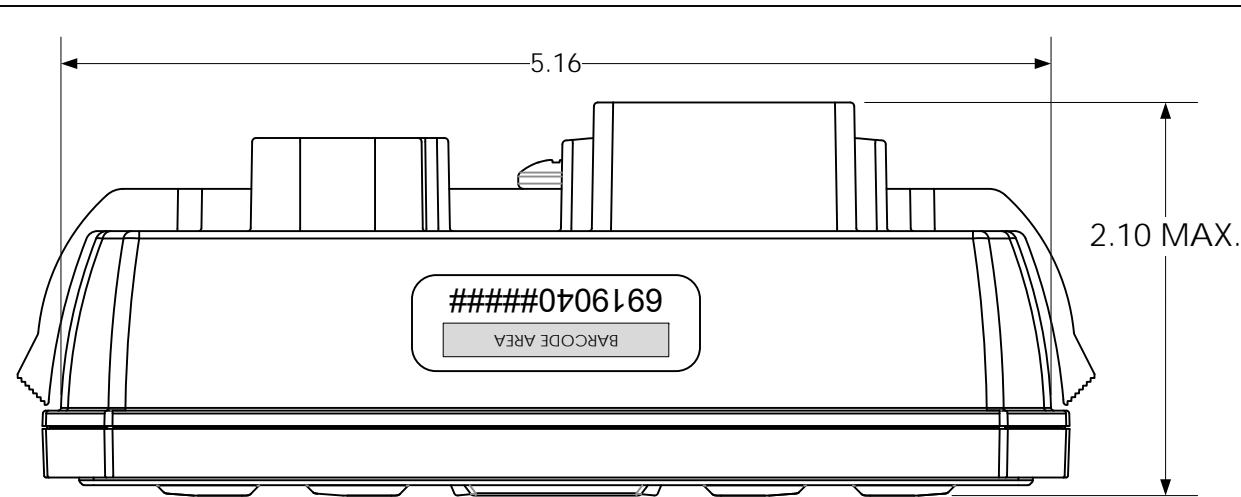
UNLESS OTHERWISE SPECIFIED, DIMENSIONS ARE IN INCHES AND TOLERANCES ARE

TWO PLACE DECIMAL	THREE PLACE DECIMAL	ANGLES
+/- 0.05	+/- 0.020	+/- 0.5°

DO NOT SCALE DRAWING

CHECKED	S. JOHNSON	DATE	02/07/19
APPROVED	S. JOHNSON	DATE	02/11/19

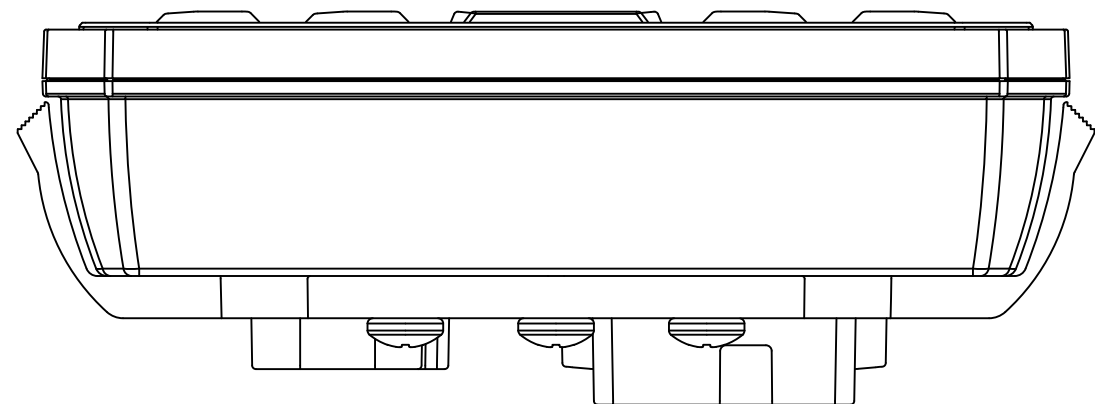
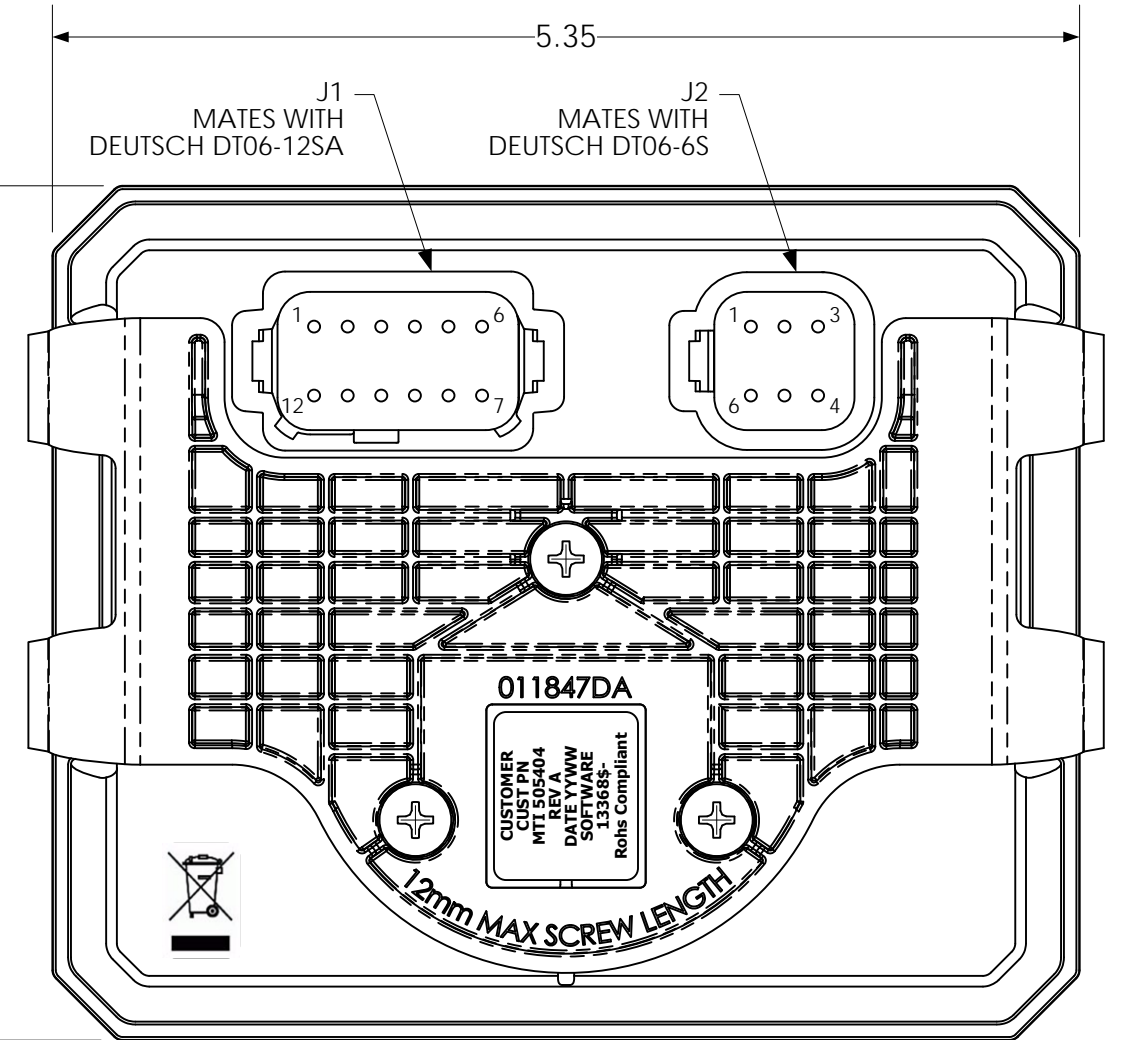
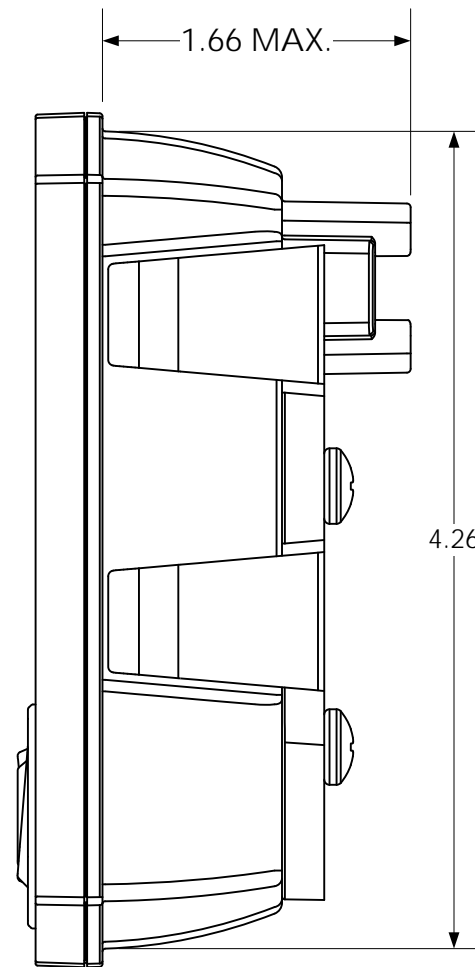
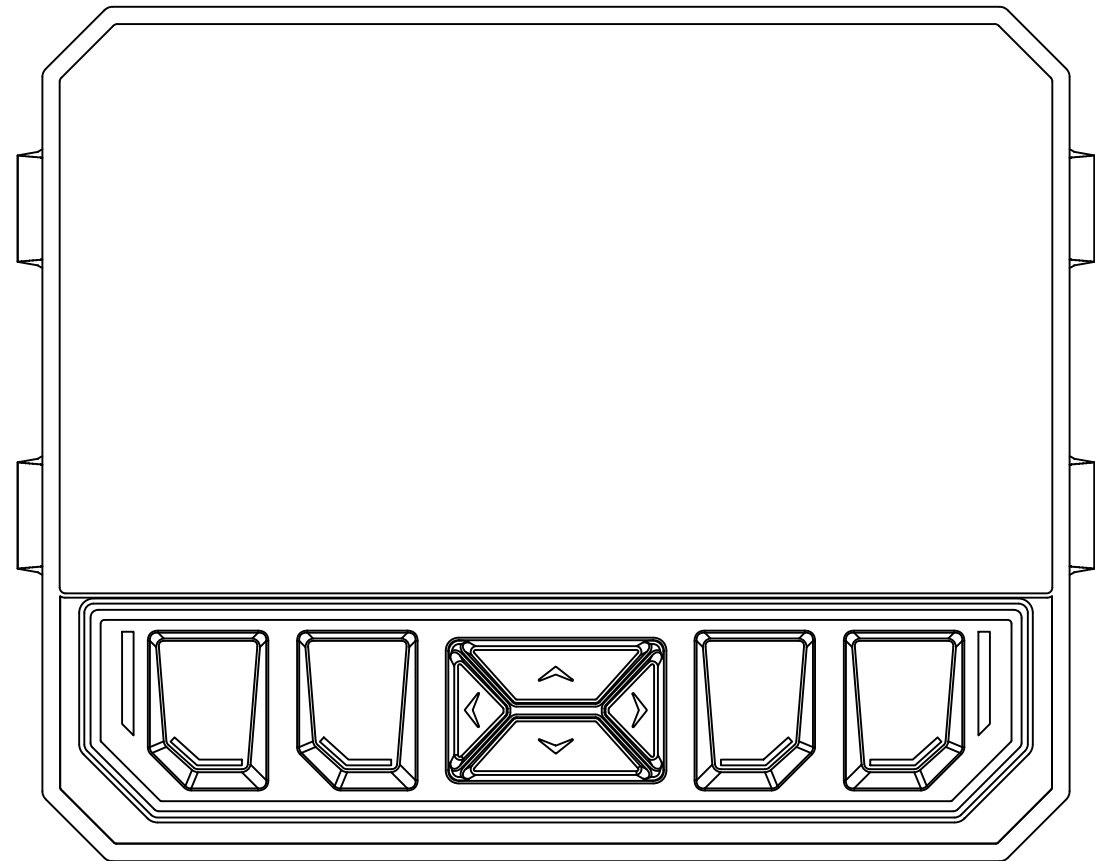
MARLIN TECHNOLOGIES INC.			
TITLE		OUTLINE, 505404	
4.3" COLOR DISPLAY LOW POWER/EMC			
SIZE	DRAWING NUMBER	TYPE	REV
B	012945	O	B
DRAWN	G. ENGLEHART	DATE	11/07/18
SHEET	1 OF 2		



CUSTOMER
CUST PN
MTI 505404
REV A
DATE YYWW
SOFTWARE
13368\$-
Rohs Compliant

PRODUCT LABEL
REV=BOM REVISION
LABEL DATE CODE:
YY=YEAR OF MANUFACTURE
WW=WEEK OF MANUFACTURE

REVISIONS				
REV	DATE	ECN	DESCRIPTION	APVD
A	11/07/18	12943E	RELEASE TO PRODUCTION	SMJ
B	01/30/20	13369E	SOFTWARE CHANGED TO 13368\$	SMJ



THE INFORMATION CONTAINED ON THIS DRAWING IS PROPRIETARY AND CONFIDENTIAL TO MARLIN TECHNOLOGIES INC. UNAUTHORIZED USE OR DISTRIBUTION WITHOUT CONSENT IS PROHIBITED.

UNLESS OTHERWISE SPECIFIED, DIMENSIONS ARE IN INCHES AND TOLERANCES ARE			MARLIN TECHNOLOGIES INC.			
TWO PLACE DECIMAL +/- 0.05	THREE PLACE DECIMAL +/- 0.020	ANGLES +/- 0.5°	TITLE OUTLINE, 505404 4.3" COLOR DISPLAY LOW POWER/EMC			
DO NOT SCALE DRAWING			SIZE B	DRAWING NUMBER 012945	TYPE O	REV B
CHECKED S. JOHNSON	DATE 02/07/19	APPROVED S. JOHNSON	DATE 02/11/19	DRAWN G. ENGLEHART	DATE 11/07/18	SHEET 2 OF 2