

THIS DRAWING IS UNPUBLISHED. RELEASED FOR PUBLICATION 2016
 COPYRIGHT 2016 BY TYCO ELECTRONICS CORPORATION. ALL RIGHTS RESERVED.

ATLANTIC VERSION TERMINATOR INTERFACE ADAPTER	PART NUMBER	REVISION	DESCRIPTION	FEED TYPE	APPLICATOR STYLE CONVERSION CHART							
					CONVERT TO	PART NUMBERS REQUIRED						
						PNEUMATIC FEED	2119950-1	1338683-8	5-18022-5	2119641-1	2119799-1	2063440-1
	2266679-1	A	FINE CRIMP HEIGHT ADJUST	MECHANICAL	SERVO LATCH PLATE	2119951-1	-	8-2266679-5	1901094-3	-	2168400-6 (QUANTITY 2)	
	2266679-2	A	FINE CRIMP HEIGHT ADJUST	PNEUMATIC	MECHANICAL FEED	2119949-1	1338683-8	5-18022-5	2119653-1	-	-	
					SERVO LATCH PLATE	2119951-1	-	8-2266679-5	1901094-3	-	2168400-6 (QUANTITY 2)	
	2266679-5	A	FINE CRIMP HEIGHT ADJUST	SERVO LATCH PLATE	MECHANICAL FEED	2119949-1	1338683-8	5-18022-5	2119653-1	-	-	
					PNEUMATIC FEED	2119950-1	1338683-8	5-18022-5	2119641-1	2119799-1	2063440-1	
	2266679-6	A	NON-CRIMP HEIGHT ADJUST	SERVO LATCH PLATE	-	-	-	-	-	-	-	
					-	-	-	-	-	-	-	
	2266679-7	A	FINE CRIMP HEIGHT ADJUST	NONE	-	-	-	-	-	-	-	
	7-2266679-7	A	CRIMP TOOLING KIT	-	-	-	-	-	-	-	-	

APPLICATOR DATA		
CRIMP	SIZE	TYPE
WIRE	1.83 mm [.072]	F
INSUL	2.79 mm [.110]	O

APPLICATOR INSTRUCTIONS 408-10389

TERMINAL DATA:	DELPHI PACKARD TERMINAL	DELPHI PACKARD CRIMP SPECIFICATION
TERMINAL NAME:	TAXI ASM TERM F HES 1.0	
WIRE STRIP LENGTH	3.65-4.41 mm [.144-.174 IN]	INSULATION DIAMETER RANGE 1.60-1.90 mm [.063-.075 IN]
TERMINAL APPLICATION SPECIFICATION	13663728 PAGE 3 OF 3 Rev 2013.10.30	
TERMINALS APPLIED		
TE TERMINAL	DELPHI PACKARD TERMINAL	TE TERMINAL
2113660-1	13663728	

WIRE SIZE	CRIMP HEIGHT mm [INCH]	CRIMP HEIGHT REFERENCE SETTING
0.75mm2	1.15+/-0.05 [.045+/-0.002]	5.5

- 1. RECOMMENDED SPARE PARTS
- 2. GREASE BEARING SURFACES LIGHTLY
- 3. LUBRICATE DAILY PER THE APPLICATOR INSTRUCTION SHEET SUPPLIED WITH THE APPLICATOR.
- 4. APPLICATOR SPECIFIC DATA TO BE ENTERED INTO BLANK MEMORY CHIP AT ASSEMBLY. SEE BELOW FOR PART NUMBER:
 MECHANICAL FEED WITH "SMART APPLICATOR" CONVERSION: 8-2266679-4
 PNEUMATIC FEED WITH "SMART APPLICATOR" CONVERSION: 8-2266679-4
 SERVO FEED WITH "FINE CRIMP HEIGHT ADJUST": 8-2266679-5
 SERVO FEED WITH "NON-CRIMP HEIGHT ADJUST": 8-2266679-6
- 5. ADJUSTMENT OF THE STRIPPER MAY BE REQUIRED WHEN MOVING THE APPLICATOR BETWEEN BENCH AND LEADMAKER APPLICATIONS.
- 6. APPLY PART NUMBER 1-23419-5 LOCTITE TO THREADS OF ITEM 62. APPLY PART NUMBER 2-23419-6 LOCTITE TO THREADS OF ITEM 242. FOR -6 ONLY APPLY PART NUMBER 1-23419-5 LOCTITE TO THREADS OF ITEM 37.
- 7. GREASE THREADS, GROOVE AND O-RING ON ITEMS 35 & 252.
- 8. MAGNET, ITEM 166 MUST BE ORIENTED CORRECTLY IN ORDER TO PROPERLY ACTUATE THE COUNTER.
- 9. CRIMP HEIGHT REFERENCE SETTING WAS THE SETTING USED WHEN THE APPLICATOR WAS QUALIFIED AT THE FACTORY. ADJUSTMENT MAY BE NECESSARY WHEN RUNNING APPLICATOR IN THE FIELD.
- 10. SPARE FEED CAM STORAGE LOCATION REFER TO INSTRUCTION SHEET FOR ADDITIONAL INFORMATION.
- 11. TO CONVERT THE APPLICATOR TO A NON-CARRIER CUTTING STYLE, REMOVE ITEM 13 AND ATTACH TO THE LOCATION ON THE BACK SIDE OF THE HOUSING. REFER TO INSTRUCTION SHEET FOR ADDITIONAL INFORMATION.
- 12. WHEN ASSEMBLING A NON CRIMP HEIGHT ADJUST APPLICATOR (-6) USE SHIMS FROM ITEM 260 TO ACHIEVE A NOMINAL SHIM HEIGHT OF 4.65.

***WARNING**
 ON INSTALLATION, SET WIRE DISC, ITEM 40 TO LARGEST WIRE SIZE SETTING. USE OF SETTINGS BELOW MINIMUM REQUIRED CRIMP HEIGHT SETTING WILL CAUSE DAMAGE TO CRIMP TOOLING.

-77	-7	-6	-5	-2	-1	PART NO	DESCRIPTION	ITEM NO
-	-	1	-	-	-	2119957-2	APPLICATOR SHIM PACK	260

ATLANTIC VERSION
 Shown on sheets 1 of 4 & 2 of 4
 (Pacific version shown on sheets 3 of 4 & 4 of 4)

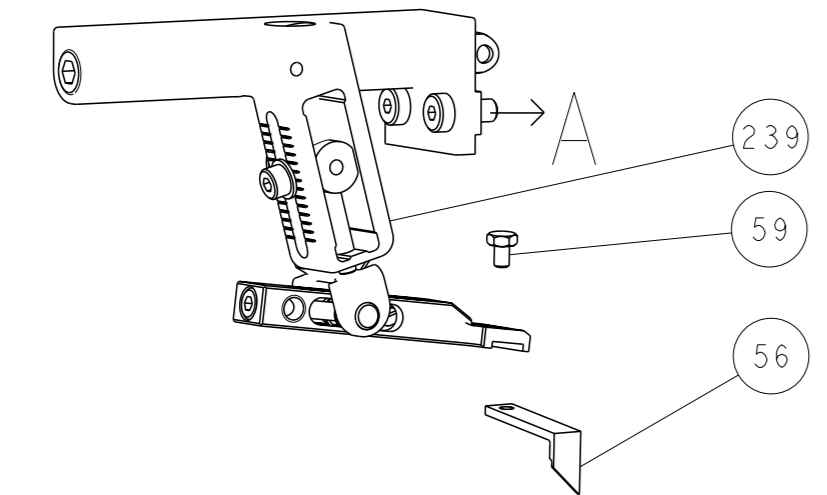
SET UP GAUGE	LOC	DIST	REVISIONS				
2119599-1	A	66	REV	DATE	BY	APPV	
			A	RELEASED	15MAR2016	BW	TE

-	1	-	1	1	1	8-21084-0	O-RING, .676 ID, .070 DIA. MAT.	252	
-	-	-	-	1	-	2119640-1	PUSH ROD, AIR FEED	250	
-	-	-	-	1	-	2079988-1	BUSHING, LCH5-12, MISUMI	249	
-	-	-	-	1	-	2119641-1	FEED CAM, AIR FEED	248	
-	1	-	1	1	1	2119798-1	DETENT PIN	247	
-	1	-	1	1	1	1-22279-3	SPRING, COMPRESSION	246	
-	-	1	-	-	-	2119758-1	RAM, AMP STYLE, SIDE FEED, NON-ADJ.	245	
-	1	1	1	1	1	2119082-5	CAM, SNAIL, INSULATION ADJUSTMENT	244	
-	1	1	1	1	1	2079764-1	WASHER, WAVE SPRING, CREST-TO-CREST	243	
-	1	1	1	1	1	2119083-1	RETAINER, INSULATION DIAL	242	
-	1	1	1	1	1	7-18023-7	SCR, SKT HD CAP M3 X 4.0	241	
-	-	2	2	-	-	2168400-6	SHCS, LOW HEAD, RoHS, M5 X 16	240	
-	-	-	-	-	1	2119580-1	MECHANICAL FEED ASSEMBLY	239	
-	-	-	-	-	1	2063440-1	AIR FEED MODULE	238	
-	-	1	1	-	-	2119740-2	TAG, IDENTIFICATION	213	
-	-	1	1	-	-	1901094-3	SPACER, FEEDER	198	
-	-	-	-	-	2	21045-3	RING, RETAIN, EXTERN, 3/16 CRESCENT	172	
-	1	1	1	1	1	994969-1	MAGNET, RARE EARTH HIGH ENERGY	166	
-	REF	REF	REF	REF	REF	994970-2	COUNTER, MAGNETIC	164	
-	-	-	-	-	1	240638-1	SPRING, FEED FINGER	163	
-	-	-	-	-	1	3-23627-7	PIN, RETAIN, GRVD, 3/16 X .854	137	
-	-	-	-	-	1	2119799-1	HOLDER, FEED FINGER, AF	136	
-	-	REF	REF	-	-	SEE NOTE 4	MEMORY CHIP, PROGRAMMED	135	
-	-	1	1	-	-	1633743-1	SERVO FEED LATCH ASM	133	
-	-	REF	REF	-	-	2119944-1	FEED FINGER ASSEMBLY, SF	117	
-	1	1	1	1	1	1-455888-1	SPACER, CRIMPER	82	
-	1	1	1	1	1	2119956-1	DOCUMENTATION PACKAGE	71	
-	1	-	-	-	1	2119740-1	TAG, IDENTIFICATION	67	
-	2	2	2	2	2	2168078-1	SCREW, DRIVE, RH, RoHS, 2 x .188	66	
-	1	-	1	1	1	2119793-1	LIMITER, ADJUSTMENT BOLT	63	
-	3	-	3	3	3	992763-5	SCR, SET, SOC, CONE POINT, M3 X 4.0	62	
-	1	1	1	1	1	2079383-4	SCR, BHSC, RoHS (M4 X 8)	60	
-	-	-	-	-	1	5-18022-5	SCR, HEX HD CAP, M4 X 6.0	59	
-	-	-	-	-	1	1338683-8	FEED PAWL	56	
-	4	4	4	4	4	2168400-1	SHCS, LOW HEAD, RoHS, M4 X 12	54	
-	2	2	2	2	2	1-2168083-0	SCR, SKT HD CAP, RoHS, M4 X 10	53	
-	1	1	1	1	1	5018030-1	NUT, HEX, REG, RoHS, M3	52	
-	1	1	1	1	1	811242-5	BUMPER, HOLD DOWN	51	
-	1	1	1	1	1	690753-2	SPACER, TONKER	50	
-	-	-	-	-	1	2	18023-9	SCR, SKT HD CAP M4 X 6.0	49
-	-	-	-	-	1	2119652-1	FEED CAM, PRE FEED	48	
-	-	-	-	-	1	2119653-1	FEED CAM, POST FEED	47	
-	1	1	1	1	1	2119656-9	APPLICATOR BASIC ASSEMBLY, SF	46	
-	1	-	-	-	1	2119370-1	RAM, AMP STYLE, SIDE FEED	44	
-	1	1	1	1	1	2079383-7	SCR, BHSC, RoHS (M8 X 25)	41	
-	1	-	-	-	1	2119645-1	DISC, NUMBERED FA WIRE ADJUSTMENT	40	
-	1	-	-	-	1	2119957-1	APPLICATOR SHIM PACK	39	
-	1	1	1	1	1	2119644-1	RAM WASHER, PRECISION	38	
-	1	1	1	1	1	2119085-1	FA HEAD, ATLANTIC STYLE	37	
-	1	-	-	-	1	2119092-1	BOLT, ADJUSTMENT	35	
-	1	1	1	1	1	1752356-6	SUPPORT, TERMINAL	34	
-	2	2	2	2	2	2079383-5	SCR, BHSC, RoHS (M4 X 20)	33	
-	1	1	1	1	1	2161328-1	HEX HEAD, FLANGED, M5 X 8mm LONG	32	
-	1	1	1	1	1	1-1320908-0	SPACER, STRIP GUIDE	30	
-	1	1	1	1	1	2119959-1	ASSEMBLY, STRIP GUIDE	29	
-	1	1	1	1	1	455888-5	SPACER, CRIMPER	28	
-	1	1	1	1	1	1320928-2	STRIP GUIDE	24	
-	1	1	1	1	1	2168083-2	SCR, SKT HD CAP, RoHS, M4 X 8.0	21	
-	2	2	2	2	2	1-18028-2	WASHER, FLAT, REG M4	20	
-	1	1	1	1	1	2119533-1	STRIPPER, SIDE FEED	19	
-	1	1	1	1	1	2119806-1	INSERT, SHEAR	13	
-	1	1	1	1	1	3-22280-3	SPRING, COMPRESSION	12	
-	1	1	1	1	1	1-356885-4	STOP, SHEAR	11	
-	1	1	1	1	1	2119805-1	SHEAR HOLDER, FRONT	10	
-	1	1	1	1	1	1803095-1	FLOATING SHEAR, FRONT	9	
-	1	1	1	1	1	8-1803171-2	ANVIL, COMBINATION	8	
-	-	-	-	-	-	-	-	7	
-	-	-	-	-	-	-	-	6	
-	1	1	1	1	1	2119757-8	DEPRESSOR, SHEAR	5	
-	1	1	1	1	1	3-238011-5	BLOCK, CRIMPER SPACER	4	
-	1	1	1	1	1	1803317-6	CRIMPER, INSULATION O	3	
-	1	1	1	1	1	455888-1	SPACER, CRIMPER	2	
-	1	1	1	1	1	7-1633305-9	CRIMPER, WIRE PREMIUM	1	

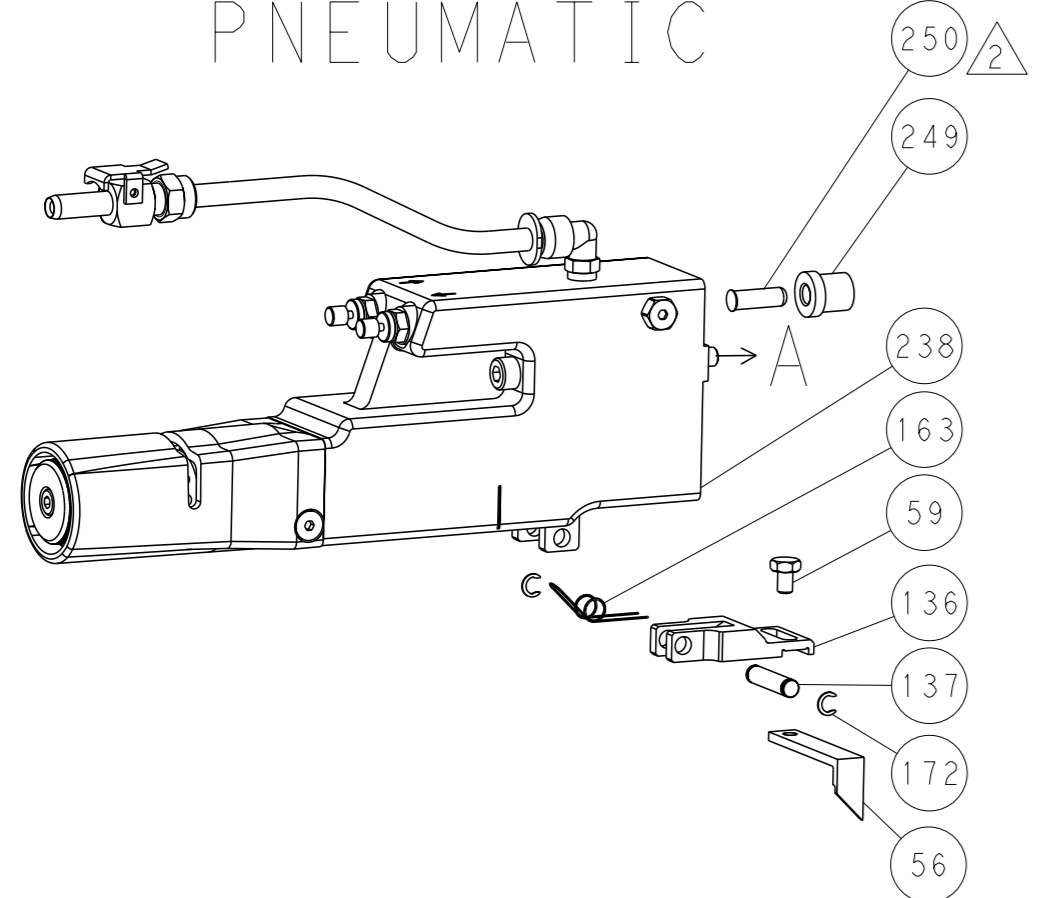
DIMENSIONS:	TOLERANCES UNLESS OTHERWISE SPECIFIED:	OWN	DATE	NAME
mm	0 PLC ± 1 PLC ± 2 PLC ± 3 PLC ± 4 PLC ± ANGLES ±	B. WEAVER	09FEB2016	TE Connectivity Harrisburg, PA 17105-3608
		T. ELBIN	09FEB2016	
		I. ELBIN	09FEB2016	
		PRODUCT SPEC		
		APPLICATION SPEC		
MATERIAL		WEIGHT		
		SCALE	1:2	
		SHEET	1 of 4	
		REV	A	

LOC	DIST	REVISIONS			
A	66	REV	DATE	OWN	APVD
-	-	SEE SHEET 1	-	-	-

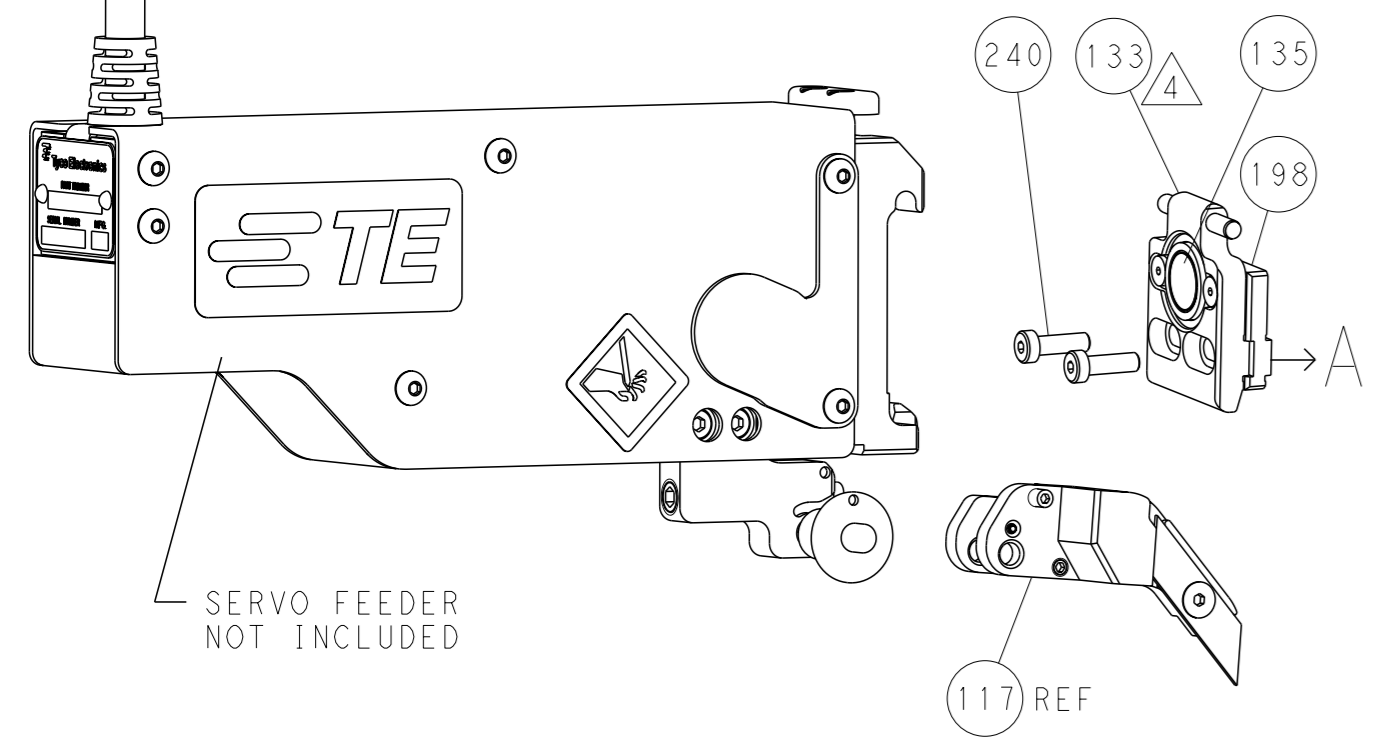
FEED TYPE MECHANICAL



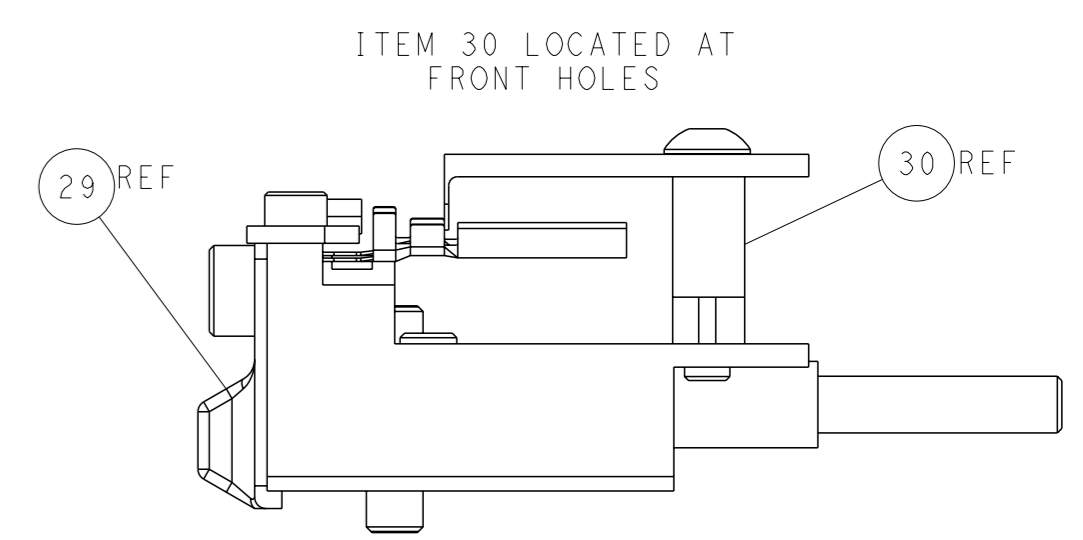
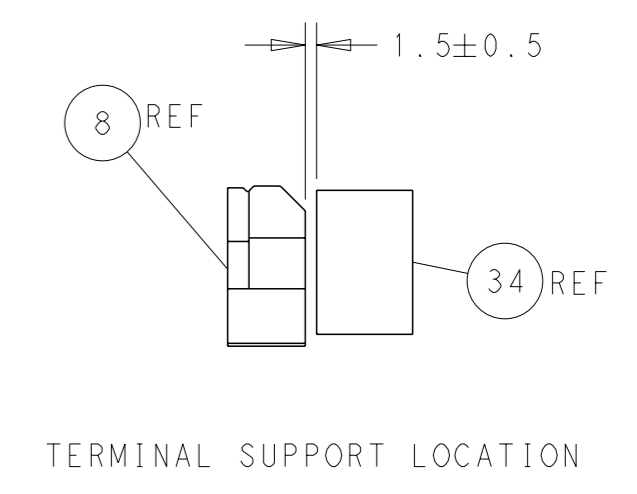
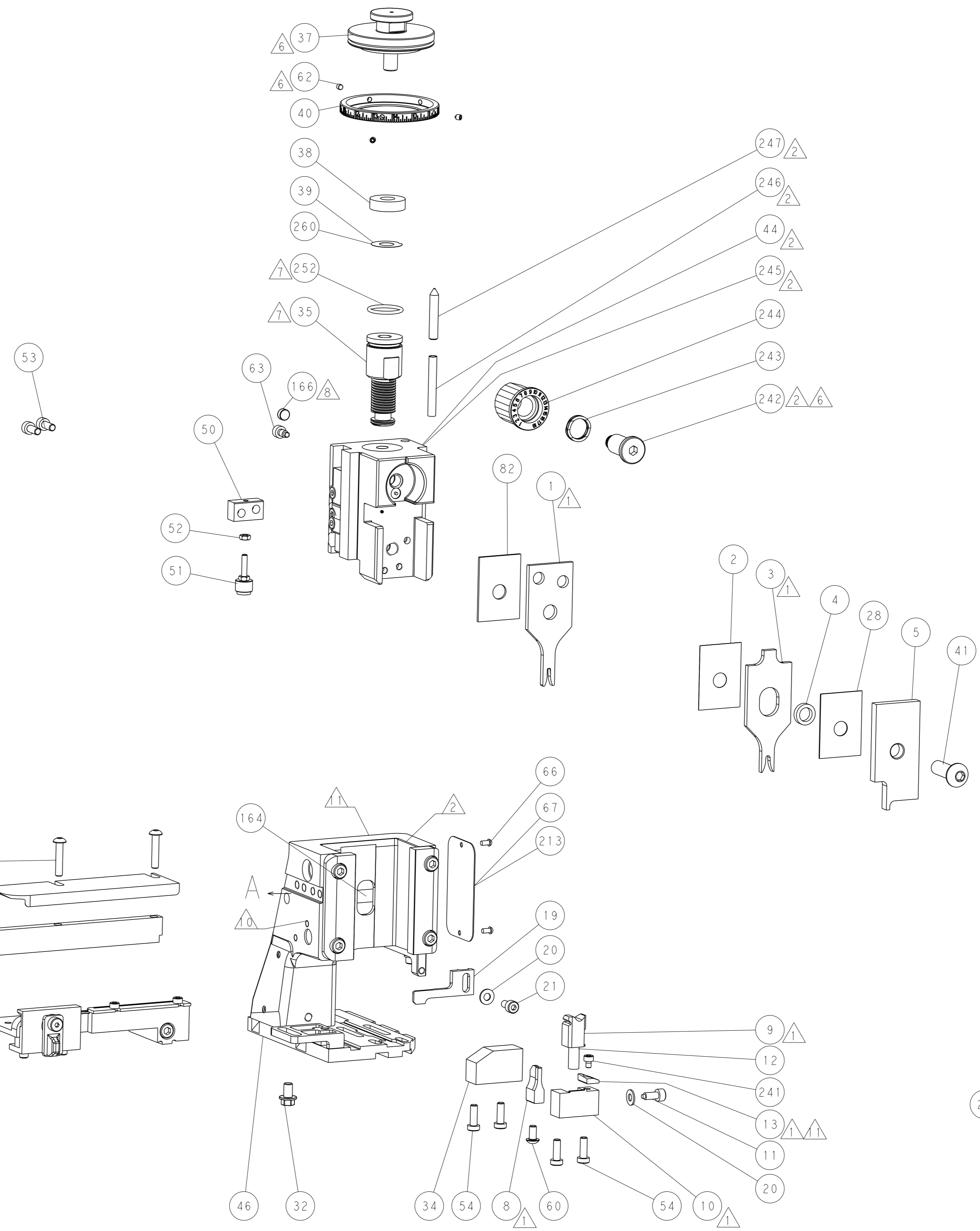
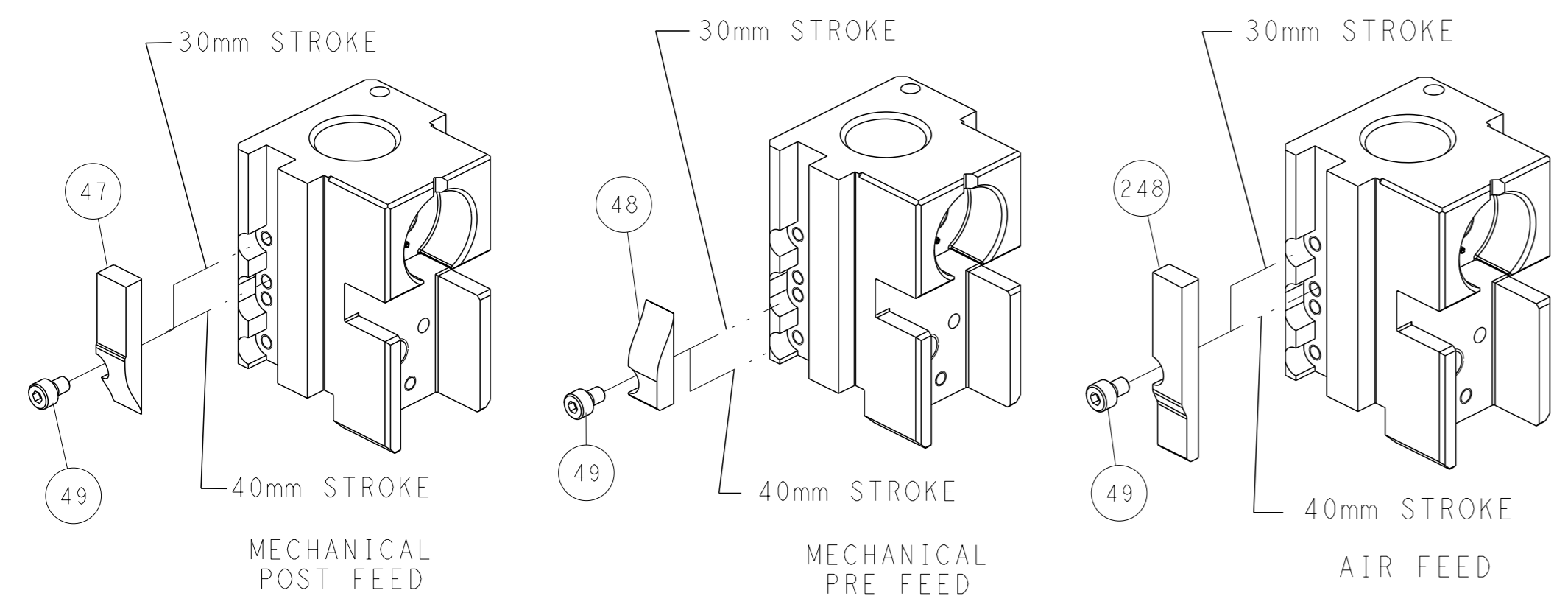
PNEUMATIC



SERVO LATCH PLATE



CAM POSITIONS



ATLANTIC VERSION
 Shown on sheets 1 of 4 & 2 of 4
 (Pacific version shown on sheets 3 of 4 & 4 of 4)

<small>THIS DRAWING IS UNPUBLISHED. RELEASED FOR PUBLICATION 2016 BY TYCO ELECTRONICS CORPORATION. ALL RIGHTS RESERVED.</small>		OWN: B. WEAVER 09FEB2016 CHK: T. ELBIN 09FEB2016 APVD: T. ELBIN 09FEB2016	NAME: Ocean Side Feed Applicator SIZE: A1 CAGE CODE: 00779 DRAWING NO: 2266679	TE Connectivity Harrisburg, PA 17105-3608
DIMENSIONS: mm TOLERANCES UNLESS OTHERWISE SPECIFIED: 0 PLC ± 1 PLC ± 2 PLC ± 3 PLC ± 4 PLC ± ANGLES ±	MATERIAL:	WEIGHT:	RESTRICTED TO:	SCALE: 1:2 SHEET: 2 of 4 REV: A

PACIFIC VERSION TERMINATOR INTERFACE ADAPTER	PART NUMBER	REVISION	DESCRIPTION	FEED TYPE	APPLICATOR STYLE CONVERSION CHART						
					CONVERT TO	PART NUMBERS REQUIRED					
	2-2266679-1	A	FINE CRIMP HEIGHT ADJUST	MECHANICAL	PNEUMATIC FEED	2119950-1	1338683-8	5-18022-5	2119641-2	2119799-1	2063440-1
					SERVO LATCH PLATE	2119951-1	-	8-2266679-5	1901094-3	-	2168400-6 (QUANTITY 2)
					SMART APPLICATOR	2161326-1	-	8-2266679-4	-	-	-
	2-2266679-2	A	FINE CRIMP HEIGHT ADJUST	PNEUMATIC	MECHANICAL FEED	2119949-1	1338683-8	5-18022-5	2119653-2	-	-
					SERVO LATCH PLATE	2119951-1	-	8-2266679-5	1901094-3	-	2168400-6 (QUANTITY 2)
					SMART APPLICATOR	2161326-1	-	8-2266679-4	-	-	-
	2-2266679-5	A	FINE CRIMP HEIGHT ADJUST	SERVO LATCH PLATE ⁴	MECHANICAL FEED	2119949-1	1338683-8	5-18022-5	2119653-2	-	-
					PNEUMATIC FEED	2119950-1	1338683-8	5-18022-5	2119641-2	2119799-1	2063440-1
	2-2266679-7	A	FINE CRIMP HEIGHT ADJUST	NONE	-	-	-	-	-	-	-
	7-2266679-7	A	CRIMP TOOLING KIT	-	-	-	-	-	-	-	-

APPLICATOR DATA		
CRIMP	SIZE	TYPE
WIRE	1.83 mm [.072]	F
INSUL	2.79 mm [.110]	O
APPLICATOR INSTRUCTIONS 408-10389		

TERMINAL DATA:	DELPHI PACKARD TERMINAL	DELPHI PACKARD CRIMP SPECIFICATION
TERMINAL NAME:	TAXI ASM TERM F HES 1.0	
WIRE STRIP LENGTH	3.65-4.41 mm [.144-.174 IN]	INSULATION DIAMETER RANGE ∅ 1.60-1.90 mm [.063-.075 IN]
TERMINAL APPLICATION SPECIFICATION	13663728 PAGE 3 OF 3 Rev 2013.10.30	
TERMINALS APPLIED		
TE TERMINAL	DELPHI PACKARD TERMINAL	TE TERMINAL
2113660-1	13663728	

WIRE SIZE	CRIMP HEIGHT mm [INCH]	CRIMP HEIGHT REFERENCE SETTING
0.75mm2	1.15+/-0.05 [.045+/-0.002]	5.5

- RECOMMENDED SPARE PARTS
- GREASE BEARING SURFACES LIGHTLY
- 3. LUBRICATE DAILY PER THE APPLICATOR INSTRUCTION SHEET SUPPLIED WITH THE APPLICATOR.
- APPLICATOR SPECIFIC DATA TO BE ENTERED INTO BLANK MEMORY CHIP AT ASSEMBLY. SEE BELOW FOR PART NUMBER:
 MECHANICAL FEED WITH "SMART APPLICATOR" CONVERSION: 8-2266679-4
 PNEUMATIC FEED WITH "SMART APPLICATOR" CONVERSION: 8-2266679-4
 SERVO FEED WITH "FINE CRIMP HEIGHT ADJUST": 8-2266679-5
- 5. ADJUSTMENT OF THE STRIPPER MAY BE REQUIRED WHEN MOVING THE APPLICATOR BETWEEN BENCH AND LEADMAKER APPLICATIONS.
- APPLY PART NUMBER 1-23419-5 LOCTITE TO THREADS OF ITEM 62.
 APPLY PART NUMBER 2-23419-6 LOCTITE TO THREADS OF ITEM 242.
- GREASE THREADS, GROOVE AND O-RING ON ITEMS 139 & 152.
- MAGNET MUST BE ORIENTED CORRECTLY IN ORDER TO PROPERLY ACTUATE THE COUNTER.
- CRIMP HEIGHT REFERENCE SETTING WAS THE SETTING USED WHEN THE APPLICATOR WAS QUALIFIED AT THE FACTORY. ADJUSTMENT MAY BE NECESSARY WHEN RUNNING APPLICATOR IN THE FIELD.
- SPARE FEED CAM STORAGE LOCATION REFER TO INSTRUCTION SHEET FOR ADDITIONAL INFORMATION.
- TO CONVERT THE APPLICATOR TO A NON-CARRIER CUTTING STYLE, REMOVE ITEM 13 AND ATTACH TO THE LOCATION ON BACK SIDE OF THE HOUSING. REFER TO INSTRUCTION SHEET FOR ADDITIONAL INFORMATION.

***WARNING**
 ON INSTALLATION, SET WIRE DISC, ITEM 40 TO LARGEST WIRE SIZE SETTING. USE OF SETTINGS BELOW MINIMUM REQUIRED CRIMP HEIGHT SETTING WILL CAUSE DAMAGE TO CRIMP TOOLING.

PACIFIC VERSION
 Shown on sheets 3 of 4 & 4 of 4
 (Atlantic version shown on sheets 1 of 4 & 2 of 4)

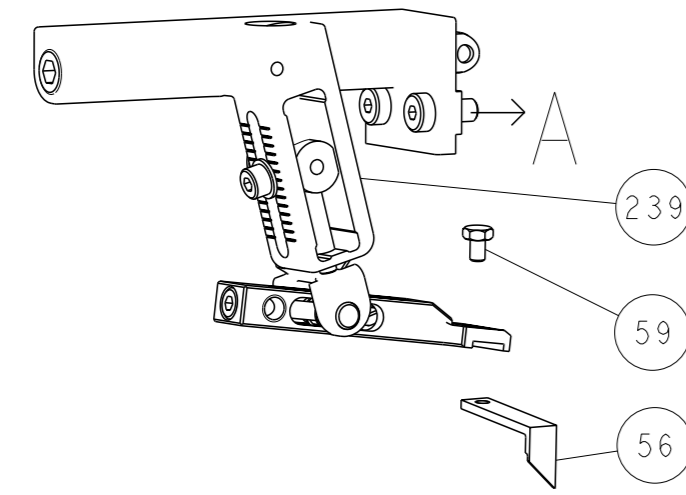
SET UP GAUGE 2119599-1	LOC A	DIST 66	REVISIONS			
			REV	DATE	BY	APPV
			-	-	-	-
			-	-	-	-

REV	DATE	BY	APPV	DESCRIPTION	ITEM NO
-	-	-	-	SEE SHEET 1	-
-	1	1	1	2119782-1 FINE ADJUST HEAD ASM, PACIFIC STYLE	251
-	-	-	-	2119640-1 PUSH ROD, AIR FEED	250
-	-	-	-	2079988-1 BUSHING, LCH5-12, MISUMI	249
-	1	1	1	1-22279-3 SPRING, COMPRESSION	246
-	1	1	1	2119082-5 CAM, SNAIL, INSULATION ADJUSTMENT	244
-	1	1	1	2079764-1 WASHER, WAVE SPRING, CREST-TO-CREST	243
-	1	1	1	2119083-1 RETAINER, INSULATION DIAL	242
-	1	1	1	7-18023-7 SCR, SKT HD CAP M3 X 4.0	241
-	-	2	-	2168400-6 SHCS, LOW HEAD, RoHS, M5 X 16	240
-	-	-	-	2119580-1 MECHANICAL FEED ASSEMBLY	239
-	-	-	-	2063440-1 AIR FEED MODULE	238
-	-	-	-	2119740-2 TAG, IDENTIFICATION	213
-	-	-	-	1901094-3 SPACER, FEEDER	198
-	-	-	-	21045-3 RING, RETAIN, EXTERN, 3/16 CRESCENT	172
-	1	1	1	994969-1 MAGNET, RARE EARTH HIGH ENERGY	166
-	REF	REF	REF	994970-2 COUNTER, MAGNETIC	164
-	-	-	-	240638-1 SPRING, FEED FINGER	163
-	1	1	1	8-21084-1 O-RING, .801 ID, .070 DIA. MAT.	152
-	-	-	-	2119641-2 FEED CAM, AIR FEED	151
-	1	1	1	2119798-2 DETENT PIN	145
-	1	1	1	2079383-8 SCR, BHSC, RoHS (M4 X 16)	144
-	4	4	4	2168400-5 SHCS, LOW HEAD, RoHS, M4 X 20	143
-	-	-	-	2119653-2 FEED CAM, POST FEED	142
-	1	1	1	1-2119656-0 APPLICATOR BASIC ASSEMBLY, SF	141
-	1	1	1	2119650-1 RAM, ASIAN STYLE, SIDE FEED	140
-	1	1	1	2119092-2 BOLT, ADJUSTMENT	139
-	-	-	-	3-23627-7 PIN, RETAIN, GRVD, 3/16 X .854	137
-	-	-	-	2119799-1 HOLDER, FEED FINGER, AF	136
-	-	REF	-	SEE NOTE 4 MEMORY CHIP, PROGRAMMED	135
-	-	-	-	1633743-1 SERVO FEED LATCH ASM	133
-	-	REF	-	2119944-1 FEED FINGER ASSEMBLY, SF	117
-	1	1	1	1-455888-1 SPACER, CRIMPER	82
-	1	1	1	2119956-1 DOCUMENTATION PACKAGE	71
-	1	-	-	2119740-1 TAG, IDENTIFICATION	67
-	2	2	2	2168078-1 SCREW, DRIVE, RH, RoHS, 2 x .188	66
-	1	1	1	2119793-1 LIMITER, ADJUSTMENT BOLT	63
-	3	3	3	992763-5 SCR, SET, SOC, CONE POINT, M3 X 4.0	62
-	-	-	-	5-18022-5 SCR, HEX HD CAP, M4 X 6.0	59
-	-	-	-	1338683-8 FEED PAWL	56
-	2	2	2	1-2168083-0 SCR, SKT HD CAP, RoHS, M4 X 10	53
-	1	1	1	5018030-1 NUT, HEX, REG, RoHS, M3	52
-	1	1	1	811242-5 BUMPER, HOLD DOWN	51
-	1	1	1	690753-2 SPACER, TONKER	50
-	-	-	-	18023-9 SCR, SKT HD CAP M4 X 6.0	49
-	-	-	-	2119652-1 FEED CAM, PRE FEED	48
-	1	1	1	2079383-7 SCR, BHSC, RoHS (M8 X 25)	41
-	1	1	1	2119645-1 DISC, NUMBERED FA WIRE ADJUSTMENT	40
-	1	1	1	2119957-1 APPLICATOR SHIM PACK	39
-	1	1	1	2119644-1 RAM WASHER, PRECISION	38
-	1	1	1	1752356-6 SUPPORT, TERMINAL	34
-	2	2	2	2079383-5 SCR, BHSC, RoHS (M4 X 20)	33
-	1	1	1	2161328-1 HEX HEAD, FLANGED, M5 X 8mm LONG	32
-	1	1	1	1-1320908-0 SPACER, STRIP GUIDE	30
-	1	1	1	2119959-1 ASSEMBLY, STRIP GUIDE	29
-	1	1	1	455888-5 SPACER, CRIMPER	28
-	1	1	1	1320928-2 STRIP GUIDE	24
-	1	1	1	2168083-2 SCR, SKT HD CAP, RoHS, M4 X 8.0	21
-	2	2	2	1-18028-2 WASHER, FLAT, REG M4	20
-	1	1	1	2119533-1 STRIPPER, SIDE FEED	19
-	1	1	1	2119806-1 INSERT, SHEAR	13
-	1	1	1	3-22280-3 SPRING, COMPRESSION	12
-	1	1	1	1-356885-4 STOP, SHEAR	11
-	1	1	1	2119805-1 SHEAR HOLDER, FRONT	10
-	1	1	1	1803095-1 FLOATING SHEAR, FRONT	9
-	1	1	1	8-1803171-2 ANVIL, COMBINATION	8
-	-	-	-	-	7
-	-	-	-	-	6
-	1	1	1	2119757-8 DEPRESSOR, SHEAR	5
-	1	1	1	3-238011-5 BLOCK, CRIMPER SPACER	4
-	1	1	1	1803317-6 CRIMPER, INSULATION O	3
-	1	1	1	455888-1 SPACER, CRIMPER	2
-	1	1	1	7-1633305-9 CRIMPER, WIRE PREMIUM	1

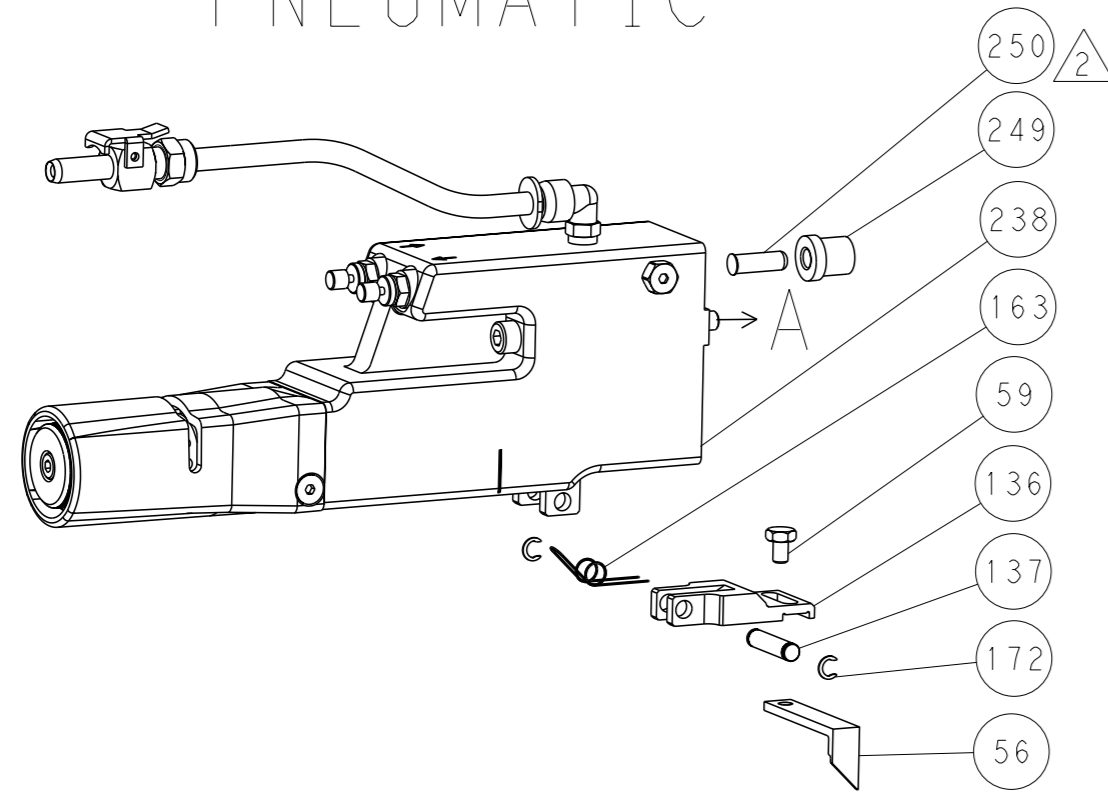
DIMENSIONS:		TOLERANCES UNLESS OTHERWISE SPECIFIED:		OWN B. WEAVER 09FEB2016	NAME Ocean Side Feed Applicator
mm	0 PLC ±	1 PLC ±	2 PLC ±	CHK T. ELBIN 09FEB2016	SIZE A1
	3 PLC ±	4 PLC ±	5 PLC ±	APV T. ELBIN 09FEB2016	CAGE CODE 00779
	ANGLES	FINISH		PRODUCT SPEC	DRAWING NO C=2266679
MATERIAL				APPLICATION SPEC	RESTRICTED TO
				WEIGHT	SCALE 1:2
					SHEET 3 of 4
					REV A

REVISONS		DATE	OWN	APVD
P	LYH			
- SEE SHEET 1				

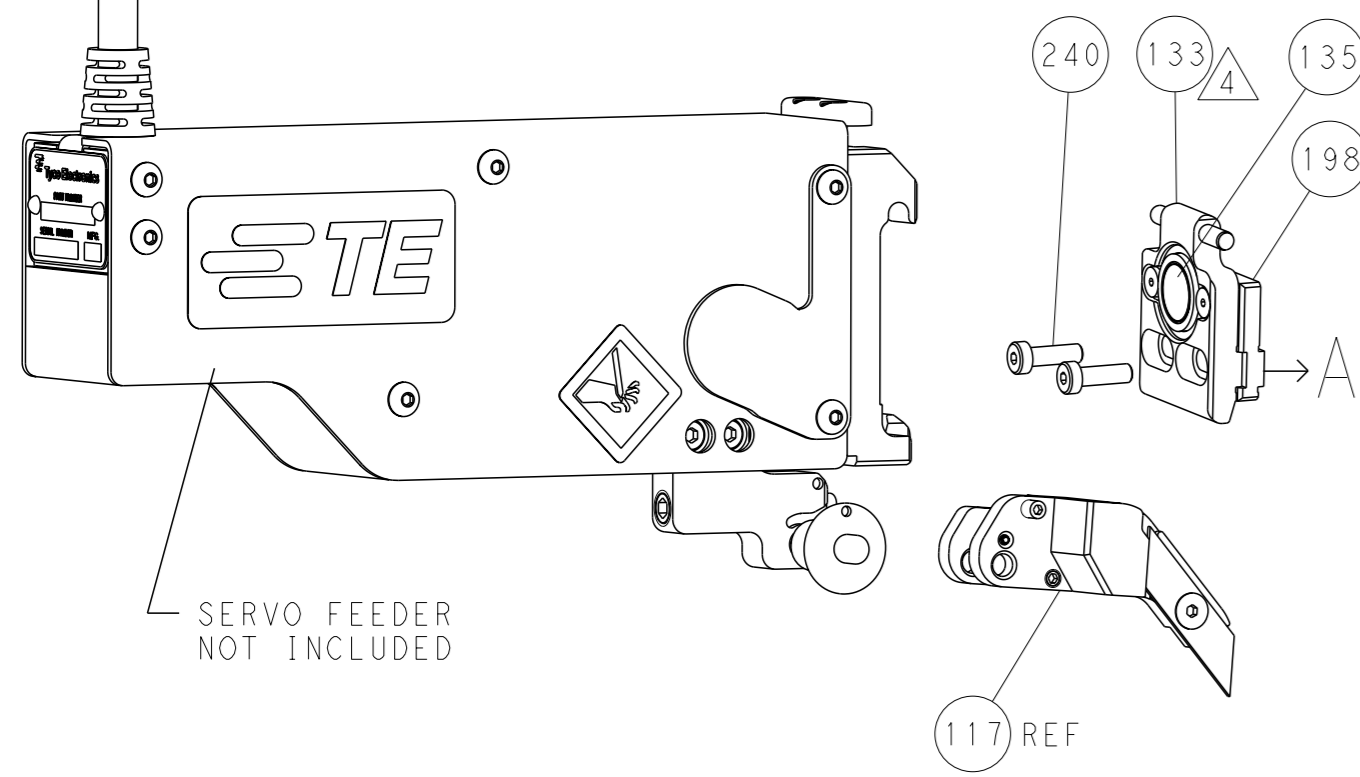
FEED TYPE MECHANICAL



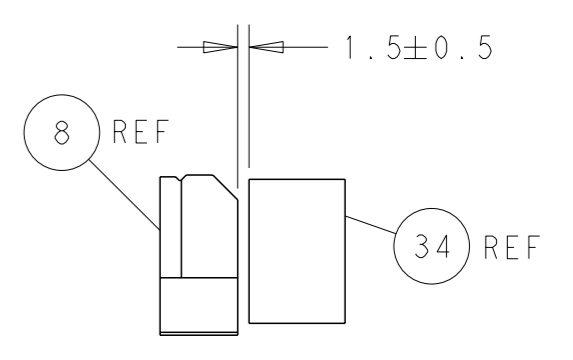
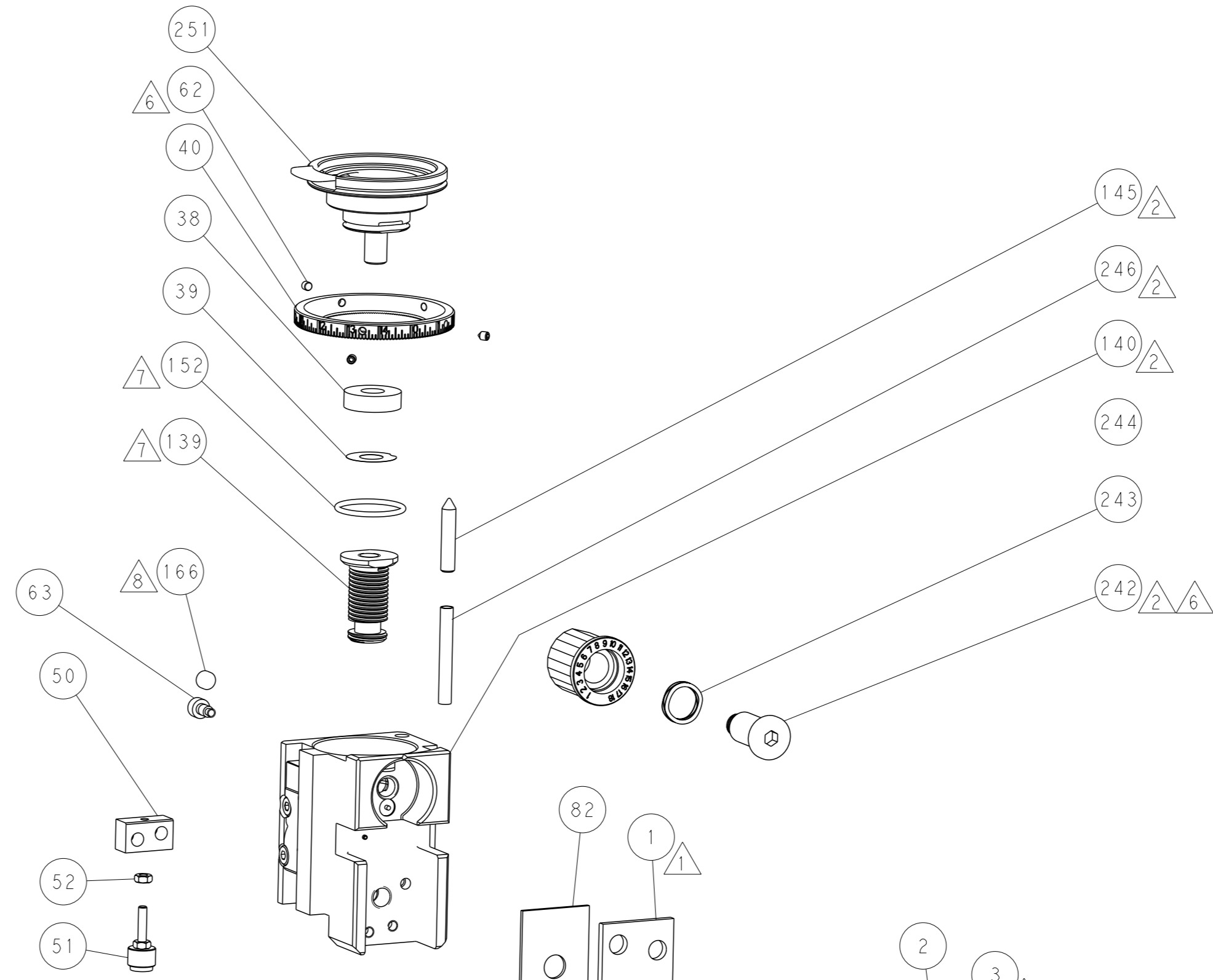
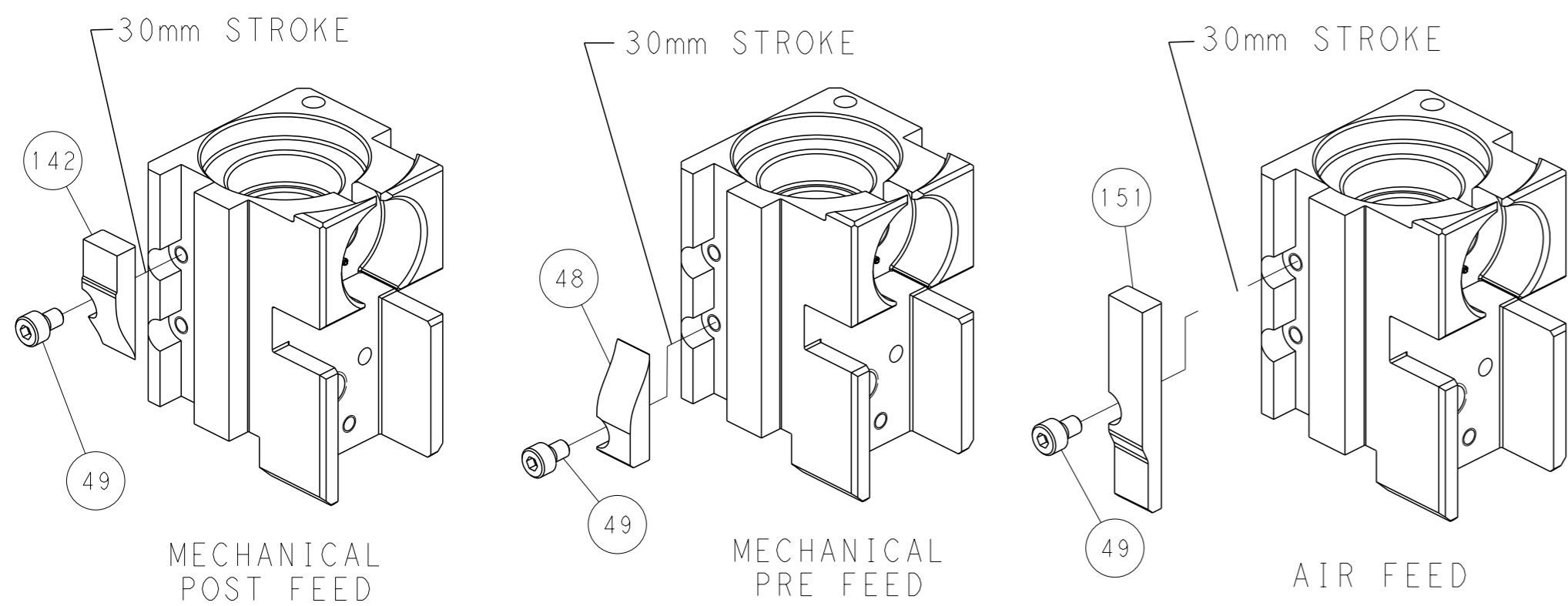
PNEUMATIC



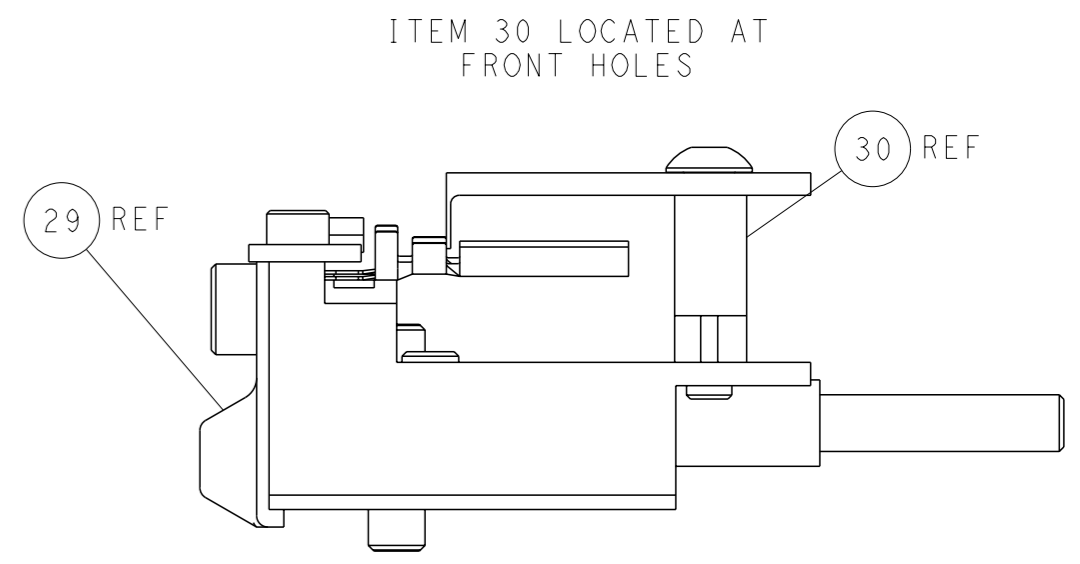
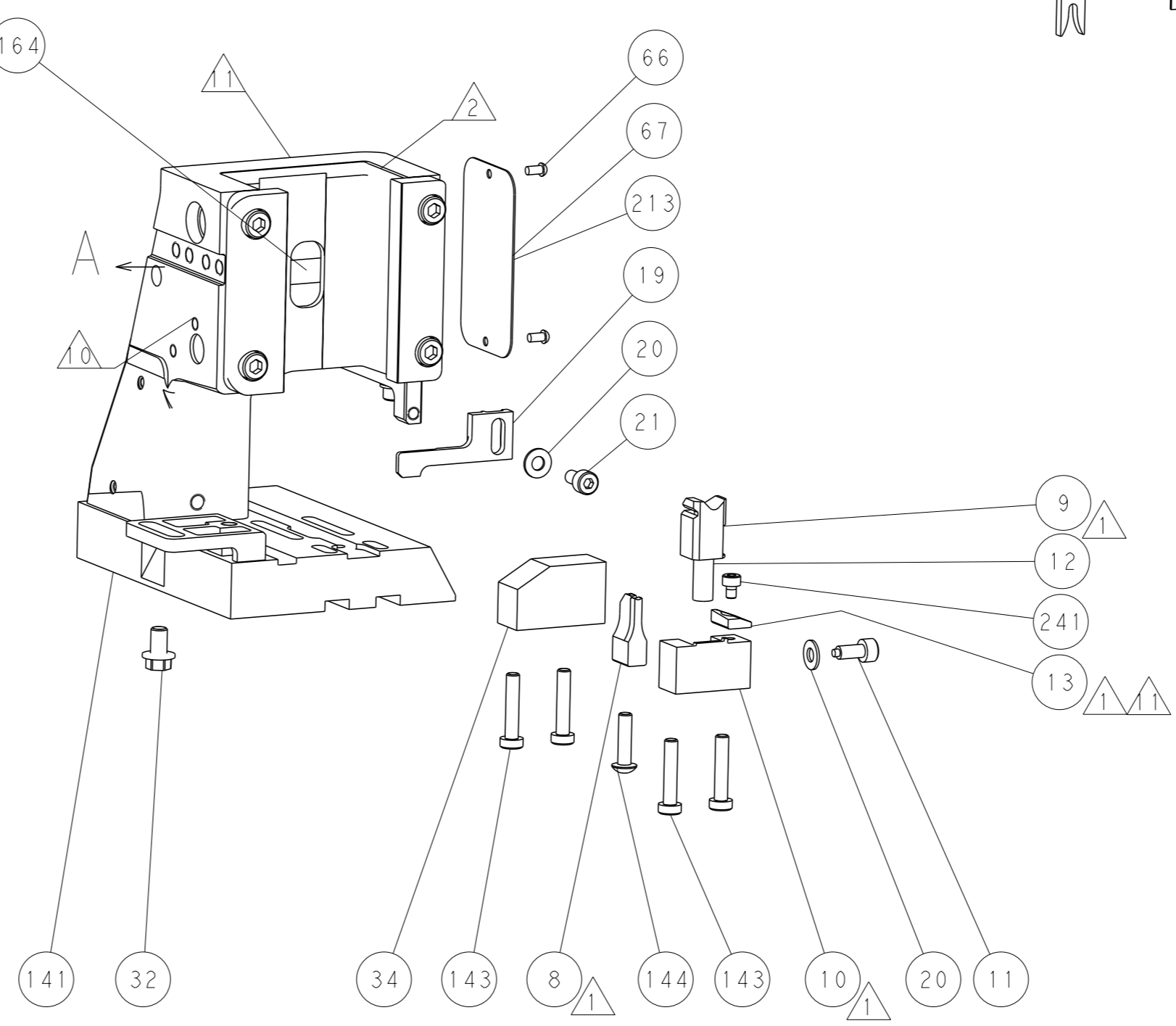
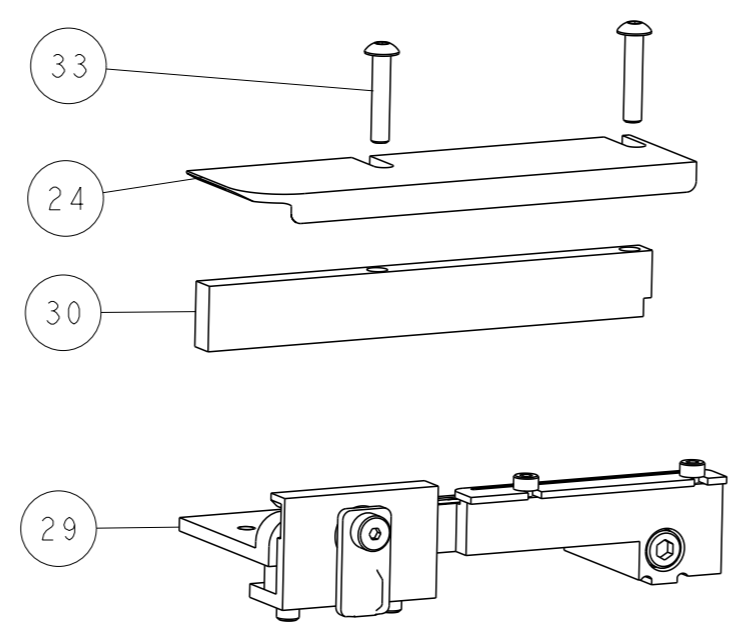
SERVO LATCH PLATE



CAM POSITIONS



TERMINAL SUPPORT LOCATION



ITEM 30 LOCATED AT FRONT HOLES

FEED TRACK POSITION GUIDE BY WIRE BARREL

PACIFIC VERSION
 Shown on sheets 3 of 4 & 4 of 4
 (Atlantic version shown on sheets 1 of 4 & 2 of 4)

<small>THIS DRAWING IS A CONTROLLED DOCUMENT FOR TYCO ELECTRONICS CORPORATION. IT IS SUBJECT TO CHANGE AND THE USER MUST CONTACT THE ORGANIZATION WHOSE BE CONTACTED FOR THE LATEST REVISION.</small>		OWN: B. WEAVER 09FEB2016 CHK: T. ELBIN 09FEB2016 APVD: T. ELBIN 09FEB2016	NAME: TE Connectivity Harrisburg, PA 17105-3608
DIMENSIONS: mm TOLERANCES UNLESS OTHERWISE SPECIFIED: 0 PLC ± 1 PLC ± 2 PLC ± 3 PLC ± 4 PLC ± ANGLES FINISH ±	APPLICATION SPEC: - WEIGHT: - SCALE: 1:2	PRODUCT SPEC: - RESTRICTED TO: - SIZE: A1 CAGE CODE: 00779 DRAWING NO: C=2266679	SHEET 4 OF 4 REV A