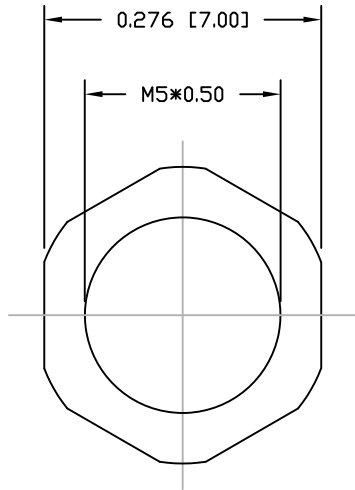


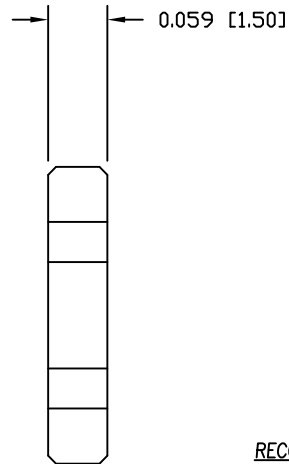
**NOTE:**  
**MATERIAL**  
 HOUSING: PBT UL94V-0, BLACK  
 CONTACT: BRASS  
 NUT: BRASS  
 SHELL: BRASS  
 O-RING: NBR, BLACK  
**FINISH**  
 CONTACT: GOLD PLATED OVER 50 $\mu$  NICKEL  
 NUT: NICKEL PLATED  
 SHELL: NICKEL PLATED  
**ELECTRICAL**  
 RATED CURRENT: 1A  
 RATED VOLTAGE: 60V  
 INSULATION RESISTANCE: 100 M $\Omega$ hms MIN.  
 CONTACT RESISTANCE: 10 m $\Omega$ hms MAX.  
 WATER PROOF: IP67  
**ENVIRONMENT**  
 OPERATION TEMPERATURE: -40°C TO +85°C

852-002-113R00Y

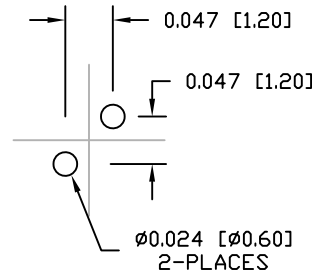
1 = GOLD FLASH  
 4 = 10 $\mu$ " GOLD



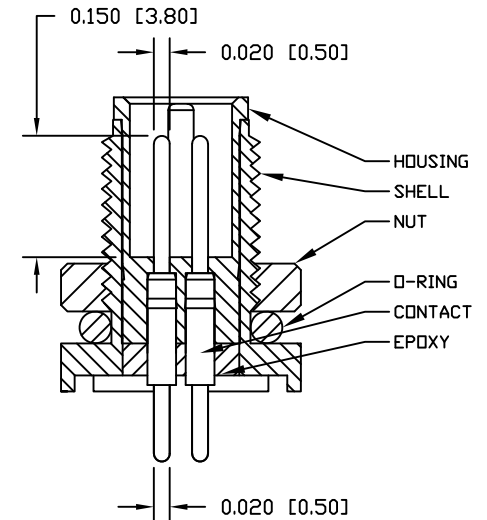
NUT



RECOMMEND PANEL CUT-OUT  
 MAX. PANEL THICKNESS: 0.063" [1.60]



RECOMMENDED PCB LAYOUT



RoHS COMPLIANT

UNITS = inch [mm]

DO NOT SCALE FROM DRAWING



THESE DRAWINGS AND SPECIFICATIONS ARE THE PROPERTY OF NorComp AND SHALL NOT BE REPRODUCED, COPIED OR USED AS THE BASIS FOR THE MANUFACTURE OR SALE OF APPARATUS WITHOUT WRITTEN PERMISSION.

DRAWN:

M. SIGMON

DATE:

03-03-16

NorComp

SCALE: NTS

SHEET 1 OF 1

REV 7

DWG NO.

852-002-113R00Y