

LAYOUT SHOWN AS EXAMPLE

Keying Shown as example

**CHARACTERISTICS**

- Standard : Based on MIL-DTL-38999 Series III
- Shell Material : Stainless Steel
- Shell Plating : Passivated
- Insulator : Thermoplastic
- Contacts : Copper Alloy
- Seals & Grommet : Silicon Elastomer
- Contact Plating : Gold over copper Alloy 0.8µm minimum
- Durability : 500 Mating cycles
- Delivered with Souriau contacts and Accessories
- Temperature Range : -65°C to +200°C
- Salt Spray : 500 hours

| Connector dimension |                 |
|---------------------|-----------------|
| Dim                 | Nominal         |
| A                   | 49.2±0.3        |
| B                   | 33.32+0.1/-0.15 |
| R                   | 32.5Max         |
| S                   | 46±0.4          |
| W                   | 3+0.9/-0.1      |
| VV THREAD           | M28x1-6g        |

SOURIAU shall not be liable for any non-conformity or damage due to a use of the Products which does not comply with the Specifications issued by either of the Parties or by a third party (professional recommendation, technical notice.)

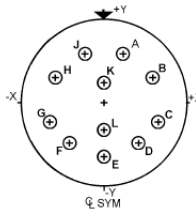
|         |                             |
|---------|-----------------------------|
| Country | Jurisdiction & Control List |
| FR      | Not Listed                  |

**PN: 8D719K11BC**

|                |   |                            |   |
|----------------|---|----------------------------|---|
| A              | 30-09-2016                                  | First Release              |   |
| ISS            | DATE  | Latest modification - by   | MOD N°  |
| Designed By:   |   | Date:                      | <b>CUSTOMER DRAWING</b>   |
| <b>TITLE</b>   | <b>Stainless Steel Receptacle 8D series</b> |                            |   |
| SCALE          |   | General linear Tolerances: | NPRDS / PROJECT   |
| NA             |   | ±--                        | <b>859</b>  |
| <b>SOURIAU</b> | <b>WWW.SOURIAU.COM</b>                      |                            | This document is the property of SOURIAU it must not be reproduced or communicated without permission |
| FORMAT         | <b>SOURIAU DRG N° 8D719K11BC-C</b>          |                            | SHEET 1/2   |

|                |                        |   |   |    |   |    |   |   |                                    |
|----------------|------------------------|---|---|----|---|----|---|---|------------------------------------|
| BASIC SERIES:  | 8D                     | 7 | - | 19 | K | 11 | B | C | ORIENTATION : C                    |
| SHELL TYPE :   | Jam nut Receptacle     |   |   |    |   |    |   |   | CONTACT TYPE : SOCKET(500 Matings) |
| CONTACT TYPE : | Standard Crimp Contact |   |   |    |   |    |   |   | CONTACT LAYOUT : 19-11             |
| SHELL SIZE :   | 19                     |   |   |    |   |    |   |   |                                    |
| PLATING :      | K = Passivated         |   |   |    |   |    |   |   |                                    |

Contact Layout

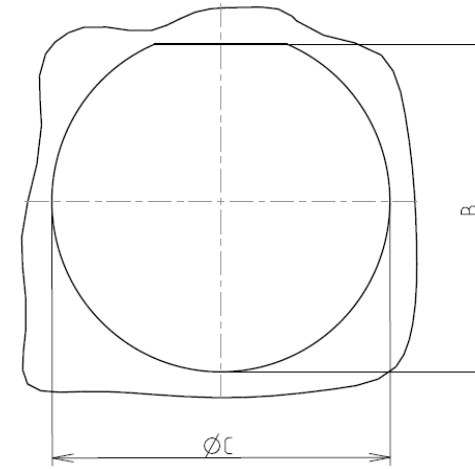


| Contacts<br>(Insert arrangement 19-11) |             |             |                     |             |             |
|--|-------------|-------------|---------------------|-------------|-------------|
| Contact position ID                    | Location    |             | Contact position ID | Location    |             |
|  | X-axis (mm) | Y-axis (mm) |                     | X-axis (mm) | Y-axis (mm) |
| A                                      | +105 (2.67) | +260 (6.60) | G                   | -275 (6.99) | -053 (1.35) |
| B                                      | +250 (6.35) | +132 (3.35) | H                   | -250 (6.35) | +132 (3.35) |
| C                                      | +275 (6.99) | -053 (1.35) | J                   | -105 (2.67) | +260 (6.60) |
| D                                      | +179 (4.55) | -215 (5.46) | K                   | +000 (0.00) | +105 (2.67) |
| E                                      | +000 (0.00) | -281 (7.14) | L                   | +000 (0.00) | -092 (2.34) |
| F                                      | -179 (4.55) | -215 (5.46) | ---                 | ---         | ---         |

| Shell size | Arrangement no. | Number of contacts | Size contacts | Service rating | Contact location | Supersedes |
|------------|-----------------|--------------------|---------------|----------------|------------------|------------|
| 19         | -11             | 11                 | 16            | II             | All              | MS20054-11 |

Panel cutout

JAM NUT RECEPTACLE (TYPE 7)



| Dim | Nominal       |
|-----|---------------|
| B   | 33.91+0/-0.25 |
| ØC  | 35.18+0.25/-0 |

SOURIAU shall not be liable for any non-conformity or damage due to a use of the Products which does not comply with the Specifications issued by either of the Parties or by a third party (professional recommendation, technical notice.)

| Country | Jurisdiction & Control List |
|---------|-----------------------------|
| FR      | Not Listed                  |

PN: 8D719K11BC

|                |   |                            |   |
|----------------|---|----------------------------|---|
| A              | 30-09-2016                                  | First Release              |   |
| ISS            | DATE  | Latest modification - by   | MOD N°  |
| Designed By:   |   | Date:                      | <b>CUSTOMER DRAWING</b>   |
| <b>TITLE</b>   | <b>Stainless Steel Receptacle 8D series</b> |                            |   |
| SCALE          |   | General linear Tolerances: | NPRDS / PROJECT   |
| NA             |   | ±--                        | <b>859</b>  |
| <b>SOURIAU</b> | <b>WWW.SOURIAU.COM</b>                      |                            | This document is the property of SOURIAU it must not be reproduced or communicated without permission |
| FORMAT         | <b>SOURIAU DRG N° 8D719K11BC-C</b>          |                            | SHEET 2/2   |