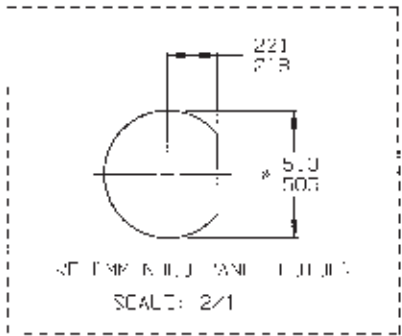
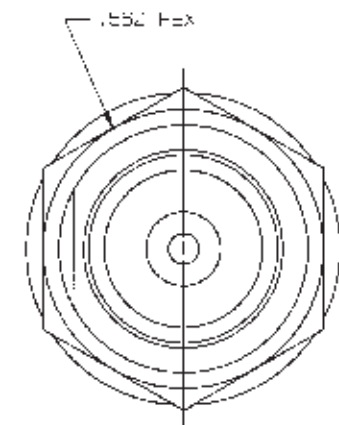
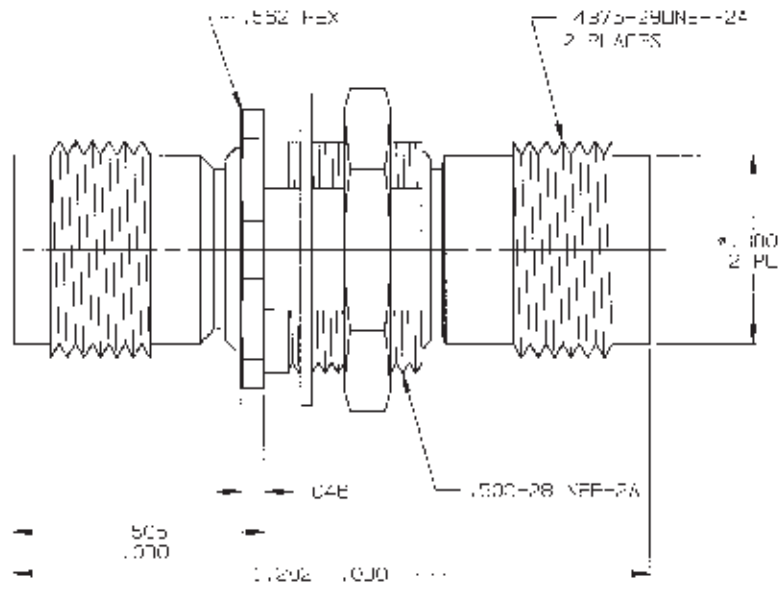


RED INDICATES ORIGINAL

THIS DRAWING IS THE PROPERTY OF TROMPETER RF CONNECTIVITY. IT IS TO BE USED ONLY FOR THE PROJECT AND QUANTITY SPECIFIED HEREON. IT IS TO BE RETURNED TO TROMPETER RF CONNECTIVITY IMMEDIATELY UPON COMPLETION OF THE PROJECT. IT IS NOT TO BE REPRODUCED OR TRANSMITTED IN ANY FORM OR BY ANY MEANS, ELECTRONIC OR MECHANICAL, INCLUDING PHOTOCOPYING, RECORDING, OR BY ANY INFORMATION STORAGE AND RETRIEVAL SYSTEM.

REVISIONS		1-0048	RF
REV	DATE	BY	APPROVED
1	REVISED PER I #10048		

BASE NO.	KTOP NO.	INPD CHMS
-	E_48	50
-7	UJ_48	75



1. SOCKET CONTACT AXIAL TYPED INSULATED FILL THRU BULKHEAD JACK 50 AND 75 JHM VERSIONS
2. MAX WALL THK .048
3. ALL DIM ARE IN INCHS

TROMPETER RF connectivity <small>a cnc connectivity solutions brand</small>	
E_48/JB_48	
ORDER DRAW REF: 11-0-0000 DIMENSIONS: SEE 1-1006 MC: 3/16" PILES-1-1/8" PL: 25 01-412 200000	IN: 1-10-1111 JCC 2.000 .0004 4/16ES MATERIAL: FINISH: TFS-1A (NICKEL)
DWG NO: 1 DATE: 4-18-11 APPR: [Signature] CHECKED: [Signature]	PART NO: B 14949 QTY: 1 ORDERING FC: 1 0048 SHEET: 1 OF 1 SHEET: 1 OF 1