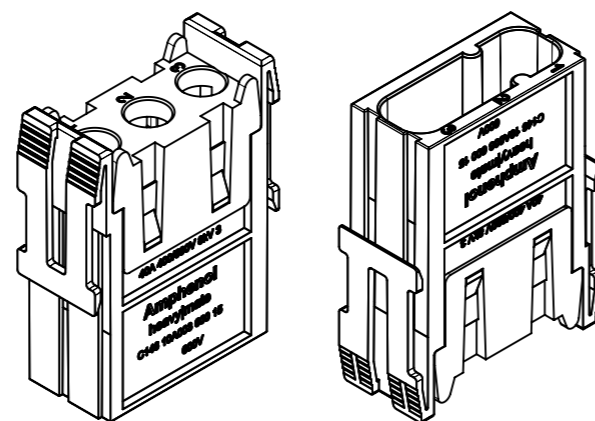
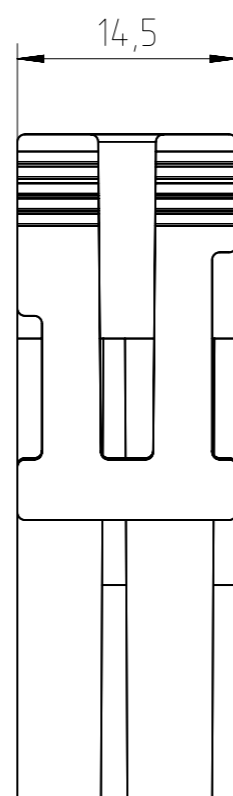
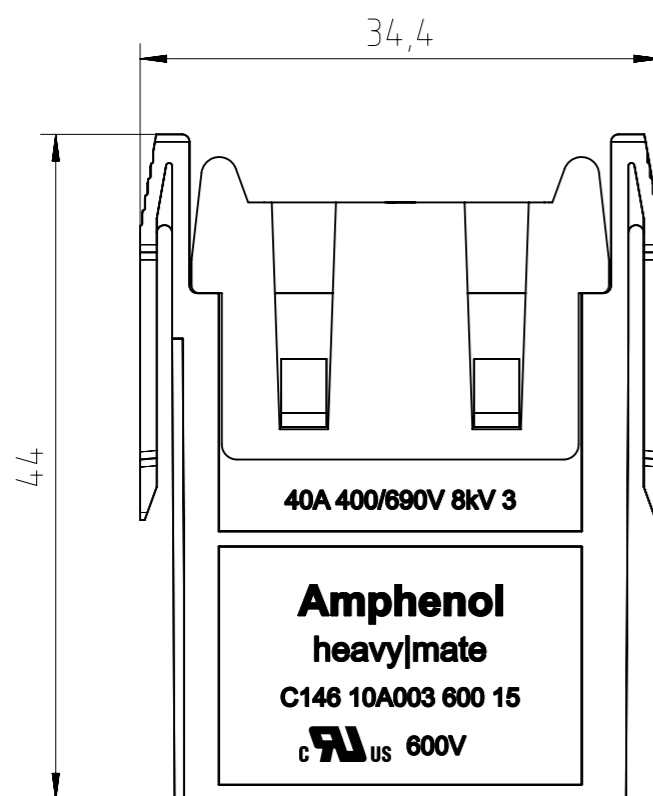
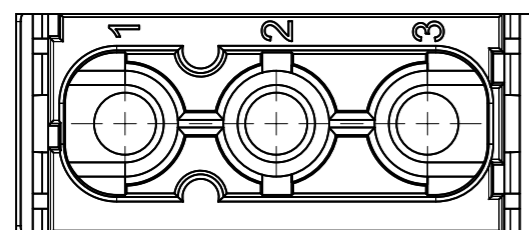


## Characteristics



Hinweise zur Anschluss-technik  
siehe Blatt 2  
*remarks on the termination  
technique see sheet 2*



| General Characteristics                | Standard        | Value  |
|--|-----------------|--|
| number of contacts                     |                 | 3  |
| termination technique                  |                 | crimp  |
| wire gauge                             |                 | 1,5 mm <sup>2</sup> - 6 mm <sup>2</sup><br>AWG 16 - AWG 10 |
| max. insulation diameter               |                 | 5,2 mm   |
| flammability                           | UL 94           | V-0  |
| Electrical Characteristics             | Standard        | Value  |
| rated voltage                          | IEC 60664-1     | 400/690 V (UL/CSA: 600 V)                                  |
| pollution degree                       | IEC 60664-1     | 3  |
| installation (overvoltage) category    | IEC 60664-1     | 3  |
| material group                         | IEC 60664-1     | 1  |
| rated impulse withstand voltage        | IEC 60664-1     | 8 kV   |
| rated current T <sub>amb</sub> = 40 °C |                 | 40 A   |
| current carrying capacity              | IEC 60512-5-2   | see derating curve   |
| contact resistance                     | IEC 60512-2-1   | ≤ 5 mΩ   |
| insulation resistance                  | IEC 60512-3-1   | ≥ 10 <sup>10</sup> Ω                                       |
| Climatical Characteristics             | Standard        | Value  |
| climatic category                      | IEC 60068-1     | 40 / 125 / 10  |
| upper temperature                      | IEC 60512-11-9  | +125 °C  |
| lower temperature                      | IEC 60512-11-10 | -40 °C   |
| Mechanical Characteristics             | Standard        | Value  |
| mechanical operation                   | IEC 60512-9-1   | ≥500 mating cycles   |
| Materials                              | Standard        | Value  |
| insert                                 |                 | PA-GF  |
| contacts                               |                 | CuZn (brass)   |
| contact plating                        |                 | Ag (silver)  |
| color                                  |                 | black  |

|                                       |                        |                       |       |                            |  |  |  |  |  |
|---------------------------------------|------------------------|-----------------------|-------|----------------------------|--|--|--|--|--|
| Gewicht (errechnet) / Calc WT: 12,5 g |                        | Zul. Abw./Tolerances: |       | Maßstab / Scale: 2:1 (1:1) |  | A3   |  |  |  |
| Prüfmaß / Testdimension               |                        | ISO 2768-m            |       | DIN / ISO 13715            |  | CUSTOMER DRAWING                                       |  |  |  |
| Teileindex / Partindexnumber:         |                        |                       |       |                            |  |  |  |  |  |
| Bagatelle change:                     |                        |                       |       |                            |  | Stiftmodul 3-Pol<br>pin module 3 pole                  |  |  |  |
|                                       |                        |                       |       |                            |  |  |  |  |  |
|                                       |                        | Gez. Drawn            |       | 12.10.2015 PWOELFFLE       |  | M C146 10A003 600 15                                   |  |  |  |
|                                       |                        | Status                |       | Released                   |  |  |  |  |  |
|                                       |                        | Gepr. Checked         |       | 08.09.2017 MGRIMM          |  | Blatt / Sheet 1<br>2 Bl.                               |  |  |  |
|                                       |                        |                       |       |                            |  |  |  |  |  |
| 04                                    | 201700257              | 30.08.2017            | PWÖLF |                            |  | Ers. f. / Replacement for: M-C146 10A003 500 15 Rev.02 |  |  |  |
| 03                                    | 201600736              | 27.10.2016            | PWÖLF |                            |  |  |  |  |  |
| 02                                    | 201600333              | 23.05.2016            | PWÖLF |                            |  | Amphenol Tuchel Industrial GmbH                        |  |  |  |
| 01                                    | 201500704              | 12.10.2015            | PWÖLF |                            |  |  |  |  |  |
| Index                                 | Änderung / Description | Datum / Date          | Name  |                            |  |  |  |  |  |

Alle technischen Daten wurden unter Laborbedingungen ermittelt und können im Praxisbetrieb abweichen.  
Es handelt sich bei den Angaben weder um Beschaffenheits- noch um Haltbarkeitsgarantien.  
All technical data have been measured in a laboratory environment and can be different during practical usage of the product. Any product information is for descriptive usage only and not legally binding; particularly the information does not constitute or provide any legal guarantees ("Beschaffenheitsgarantie" or "Haltbarkeitsgarantie").

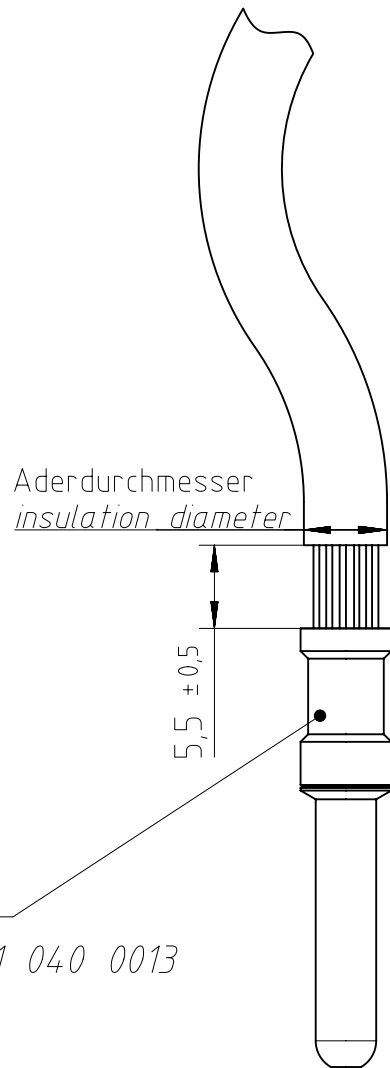
Copying of this document and giving it to others and the use or communication of the contents thereof, are forbidden without express authority. Offenders are liable to the payment of damages. All rights are reserved in the event of the grant of a patent or the registration of the utility model or design.

Weitergabe sowie Vervielfältigung dieser Unterlage, Verwertung und Mitteilung ihres Inhalts nicht gestattet, soweit nicht ausdrücklich zugestanden. Zuwiderhandlungen verpflichten zu Schadensersatz. Alle Rechte für den Fall der Patenterteilung oder Gebrauchsmuster-Eintragung vorbehalten.

NXM-V03

Hinweise zur Anschlussstechnik  
*remarks on the termination technique*

- Aderdurchmesser max. 5,2 mm
- Abisolierlänge 15,5 ± 0,5 mm (siehe Abbildung)
- insulation diameter max 5,2 mm
- stripping length 15,5 ± 0,5 mm (see picture)



Beispielkontakt: N 01 04 0013  
*pin contact for instance: N 01 040 0013*

Copying of this document and giving it to others and the use or communication of the contents thereof, are forbidden without express authority. Offenders are liable to the payment of damages. All rights are reserved in the event of the grant of a patent or the registration of the utility model or design.

Weitergabe sowie Vervielfältigung dieser Unterlage, Verwertung und Mitteilung ihres Inhalts nicht gestattet, soweit nicht ausdrücklich zugestanden. Zuwiderhandlungen verpflichten zu Schadensersatz. Alle Rechte für den Fall der Patenterteilung oder Gebrauchsmuster-Eintragung vorbehalten.

|  |                        |                        |       |  |  |   |  |  |  |
|--|------------------------|------------------------|-------|--|--|---|--|--|--|
| Gewicht (errechnet) / Calc WT : 12,5 g |                        | Zul. Abw./Tolerances : |       | Maßstab / Scale : 2:1 (1:1)            |  | A4  |  |  |  |
| Prüfmaß / Testdimension                |                        | ISO 2768-m             |       |  |  | CUSTOMER DRAWING  |  |  |  |
| Teileindex / Partindexnumber:          |                        |                        |       |  |  |   |  |  |  |
| Bagatelle change:                      |                        |                        |       |  |  | Stiftmodul 3-Pol<br><i>pin module 3 pole</i>            |  |  |  |
|  |                        |                        |       |  |  |   |  |  |  |
|  |                        | Gez. 12.10.2015        |       | Checked                                |  | M   C146 10A003 600 15                                  |  |  |  |
|  |                        | Drawn PWOELFFLE        |       |  |  |   |  |  |  |
|  |                        | Status Released        |       | Checked MGRIMM                         |  | Blatt / Sheet<br>2<br>2 Bl.                             |  |  |  |
|  |                        | Gepr. 08.09.2017       |       |  |  |   |  |  |  |
| 04                                     | 201700257              | 30.08.2017             | PWÖLF | <b>Amphenol Tuchel Industrial GmbH</b> |  | Ers. f. / Replacement for : M-C146 10A003 500 15 Rev.02 |  |  |  |
| 03                                     | 201600736              | 27.10.2016             | PWÖLF |  |  |   |  |  |  |
| 02                                     | 201600333              | 23.05.2016             | PWÖLF |  |  |   |  |  |  |
| 01                                     | 201500704              | 12.10.2015             | PWÖLF |  |  |   |  |  |  |
| Index                                  | Änderung / Description | Datum / Date           | Name  |  |  |   |  |  |  |