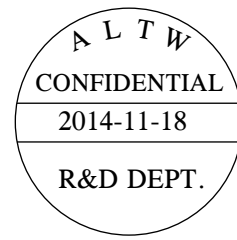
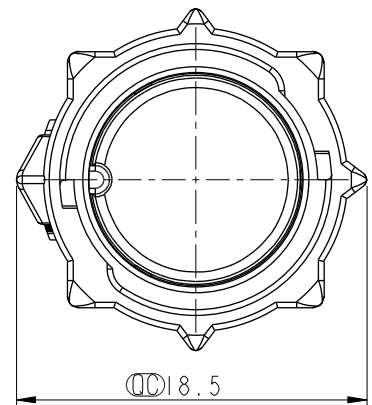
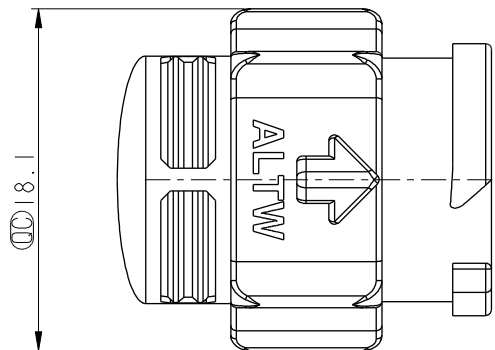
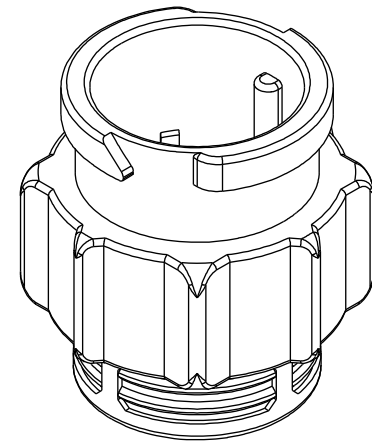
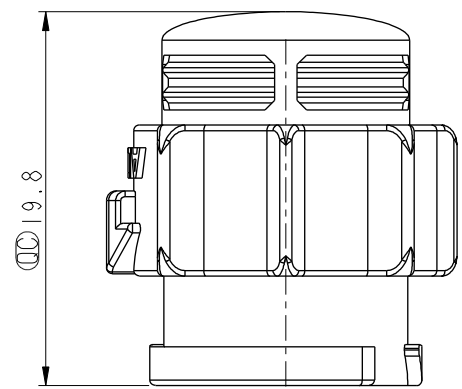


THIS DOCUMENT IS SUBJECT TO CHANGE WITHOUT NOTICE. IT IS CONFIDENTIAL AND A PROPERTY OF Amphenol LTW. DISCLOSURE TO THIRD PARTY HAS TO BE AUTHORIZED BY Amphenol LTW.

REV.	ECN NO.	DATE	SIGN	DESCRIPTION



Note:
 * (C) Important Dimension To Check.
 * Waterproof Rate: IP68
 * Housing: PP, Black

UNIT: mm		
TOLERANCE	±0.25	
.X	±0.1	
.XX	±0.05	
.XXX	±0.05	
ANGLES	±1°	

TITLE X-Lok B-Size Waterproof Cap For Femle Conn.			
SCALE	SIZE	SHEET	OF
5:2	A4	1	1
REV.	WC-REV.	(C): Inspection item	
A	A.2		

Amphenol LTW
 安費諾亮泰企業股份有限公司

ITEM NO	DRAWN BY	DATE
CAP-WABFQMA1	Micky	2014-11-18
DWG NO	CHECKED BY	DATE
CAP-WABFQMA1	Spring	2014-11-18
CUSTOMER	APPROVED BY	DATE
ALTW	Kevin	2014-11-18

A B C D E F