

Bluetooth® 5.0 low energy Module: EYSKJNZWB

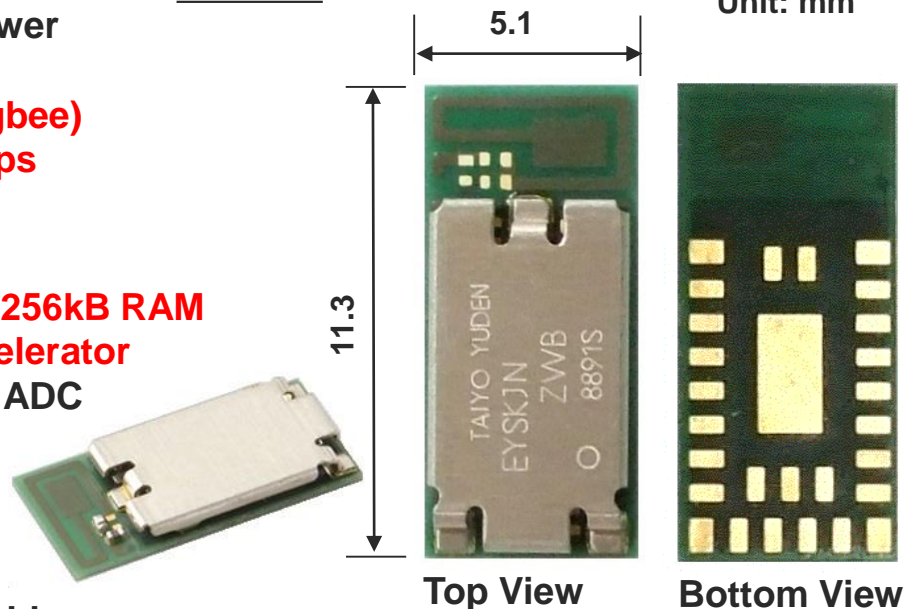
Features

- Frequency: 2402 to 2480 MHz with +8dBm Output power
- Single power supply: 1.7– 3.6V
- Single Mode **Bluetooth 5.0 / 802.15.4 (e.g. Thread, Zigbee)**
- Bluetooth 5 data rate support: 2M / 1M / 500k / 125kbps**
- Chip: **nRF52840** (Nordic)
- Integrated System Clock
- ARM® Cortex M4F 32bit processor and 1MB Flash & 256kB RAM**
- ARM® TrustZone® Cryptocell 310 cryptographic accelerator**
- Interface: NFC-A, SPI, UART, I2C, I2S, PDM and 12bit ADC
- Integrated high performance pattern antenna
- Outline: **5.1 x 11.3 x 1.3mm MAX**
- Operating Temperature range: -40 to 85 deg-C
- Bluetooth and Japan, FCC, IC qualified
- ETSI EN 300 328 v2.1.1 Conducted Test Report Available
- RoHS compliant / Complete Lead Free

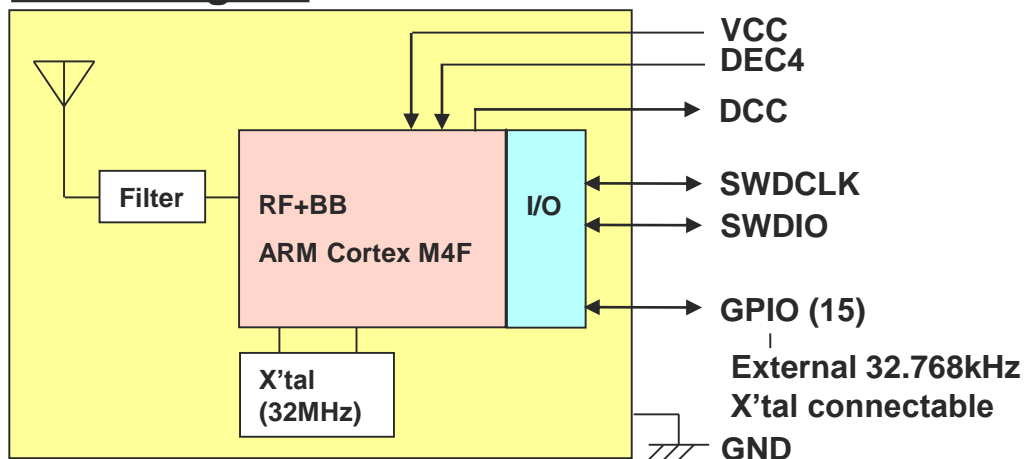
Applications

- Advanced wearables
 - Connected watches
 - Advanced personal fitness devices
 - Wearables with wireless payment
 - Connected health
 - Virtual/Augmented reality applications
- Internet of Things
 - Smart home sensors and controllers
 - Industrial IoT sensors and controllers
- Interactive entertainment devices

Outline



Block Diagram



All specifications are subject to change without notice.

The Bluetooth® word mark and logos are owned by the Bluetooth SIG, Inc. and any use of such marks by TAIYO YUDEN CO., LTD. is under license.

TAIYO YUDEN