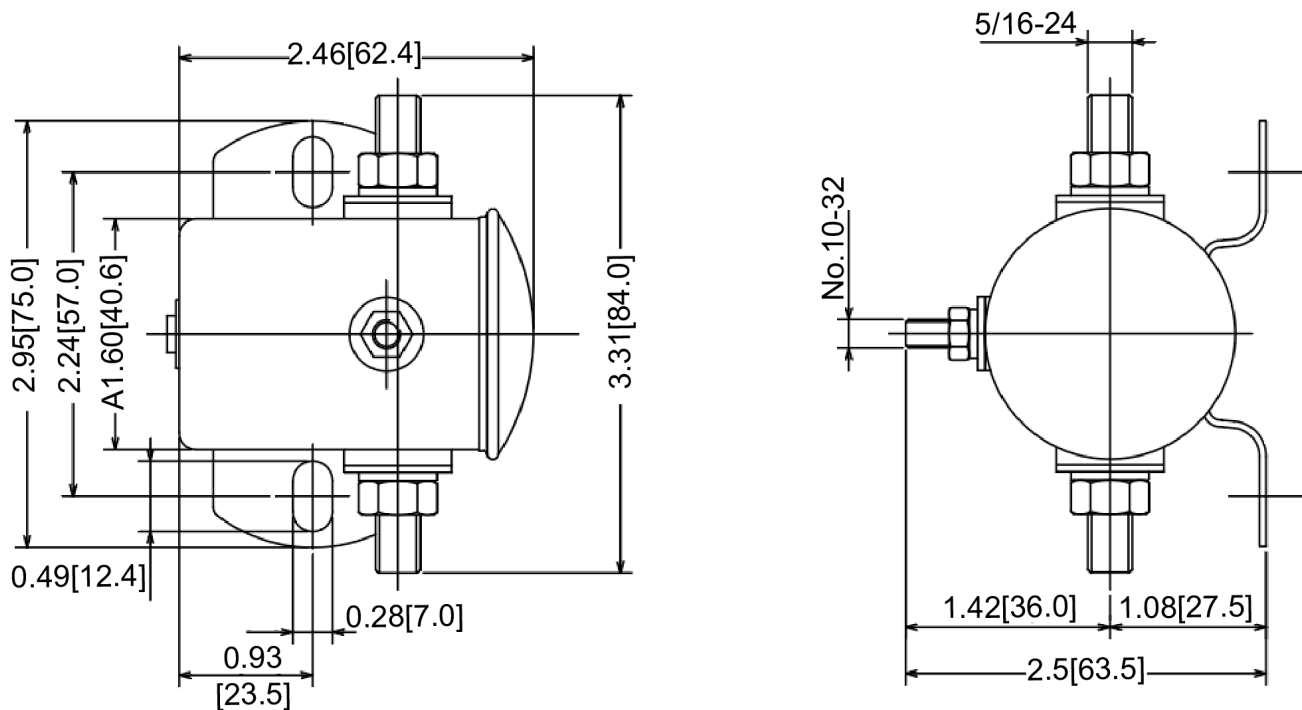


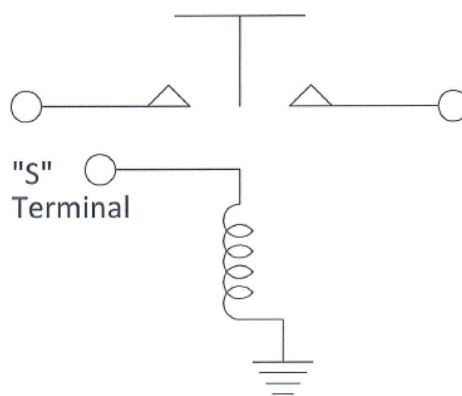
Mechanical Dimensions: Inches [mm]

Tolerances ± 0.012 [0.5] Unless Otherwise Specified



Circuit Diagram

Continuous Duty. Insulated base



Electrical Specifications

| | |
|-------------------|-----------------|
| Continuous Rating | 12V 80A |
| Coil Resistance | 56 ± 2 Ohms |
| Operating Voltage | <19VDC |
| Release Voltage | >2.4VDC |

Material Specifications

| |
|--|
| Iron plates with trivalent zinc body |
| Copper terminals |
| Load terminals 5/16" - 24 Thread, Coil terminals No.10-32 Thread |
| Bracket Mounting Holes: 9/32" x 3/4", 2 13/64" on centers. |
| Straight bracket |

| Rev | Date of issue | Revision Notes | Designed | Approved |
|-----|---------------|-----------------|----------|----------|
| B | 03-09-2020 | Initial Drawing | RC | OF |