

Aluminum Electrolytic Capacitors Power Ultra Long Life Snap-In



Fig. 1

QUICK REFERENCE DATA	
DESCRIPTION	VALUE
Nominal case sizes (Ø D x L in mm)	22 x 25 to 35 x 40
Rated capacitance range (E6 / E12 series), C _R	560 µF to 47 000 µF
Tolerance on C _R	± 20 %
Rated voltage range, U _R	25 V to 100 V
Category temperature range	-40 °C to +105 °C
Endurance test at 105 °C	2000 h
Useful life at 105 °C	5000 h
Useful life at 40 °C, 1.9 x I _R applied	125 000 h
Shelf life at 0 V, 105 °C	500 h
Based on sectional specification	IEC 60384-4 / EN 130300
Climatic category IEC 60068	40 / 105 / 56

FEATURES

- Useful life: 5000 h at +105 °C
- Miniaturized, very small dimensions
- High ripple current capability
- Polarized aluminum electrolytic capacitors, non-solid electrolyte
- Large types, cylindrical aluminum case, insulated with a blue sleeve
- Keyed polarity version available
- High reliability
- Material categorization: for definitions of compliance please see www.vishay.com/doc?99912


**RoHS
COMPLIANT**

APPLICATIONS

- General purpose, industrial, telecom and audio / video systems
- Smoothing and filtering
- Standard and switched mode power supplies
- Energy storage in pulse systems

MARKING

The capacitors are marked (where possible) with the following information:

- Rated capacitance (in µF)
- Tolerance on rated capacitance, code letter in accordance with IEC 60062 (M for ± 20 %)
- Rated voltage (in V)
- Date code (YYMM)
- Name of manufacturer
- Code for factory of origin
- “-” sign to identify the negative terminal, visible from the top and side of the capacitor
- Code number
- Climatic category in accordance with IEC 60068

SELECTION CHART FOR C _R , U _R , AND RELEVANT NOMINAL CASE SIZES (Ø D x L in mm)								
C _R (µF)	U _R (V)							
	16	25	35	40	50	63	80	100
560	-	-	-	-	-	-	-	22 x 25
680	-	-	-	-	-	-	-	22 x 30
820	-	-	-	-	-	-	22 x 25	-
1000	-	-	-	-	-	-	22 x 30	25 x 30
1500	-	-	-	-	-	22 x 25	25 x 30	25 x 40 30 x 30
1800	-	-	-	-	-	-	-	30 x 35
2200	-	-	-	-	22 x 25	22 x 30	25 x 40 30 x 30	30 x 40
2700	-	-	-	-	-	25 x 30	30 x 35	-
3300	-	-	-	-	22 x 30	25 x 40	30 x 40	35 x 40
3900	-	-	-	-	25 x 30	25 x 40 30 x 30	-	-
4700	-	22 x 25	22 x 30	-	25 x 30 25 x 40	30 x 30 30 x 35	35 x 40	-
5600	-	-	-	-	25 x 40	30 x 35	-	-

SELECTION CHART FOR C_R , U_R , AND RELEVANT NOMINAL CASE SIZES ($\varnothing D \times L$ in mm)								
C_R (μF)	U_R (V)							
	16	25	35	40	50	63	80	100
6800	22 x 25	22 x 30	-	25 x 40	30 x 30	30 x 40	-	-
8200	-	25 x 30	-	-	30 x 35	35 x 40	-	-
10 000	22 x 30	25 x 40	30 x 30	30 x 40	30 x 40	-	-	-
12 000	-	25 x 40 30 x 30	-	-	-	-	-	-
15 000	25 x 30	30 x 35 30 x 40	30 x 40	35 x 40	35 x 40	-	-	-
22 000	25 x 40 30 x 30	35 x 40	35 x 40	-	-	-	-	-
27 000	30 x 35	-	-	-	-	-	-	-
33 000	30 x 40	-	-	-	-	-	-	-
39 000	-	-	-	-	-	-	-	-
47 000	35 x 40	-	-	-	-	-	-	-

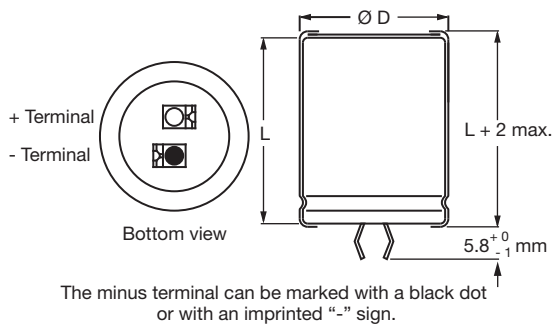
DIMENSIONS in millimeters AND AVAILABLE FORMS
TWO TERMINAL SNAP-IN


Fig. 2 - Two terminal snap-in

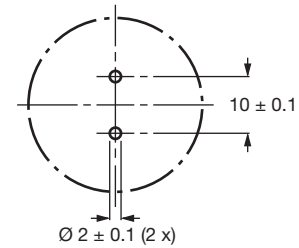


Fig. 3 - Mounting hole diagram

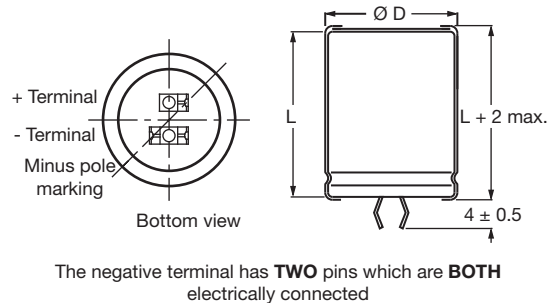
THREE TERMINAL SNAP-IN


Fig. 4 - Three terminal snap-in

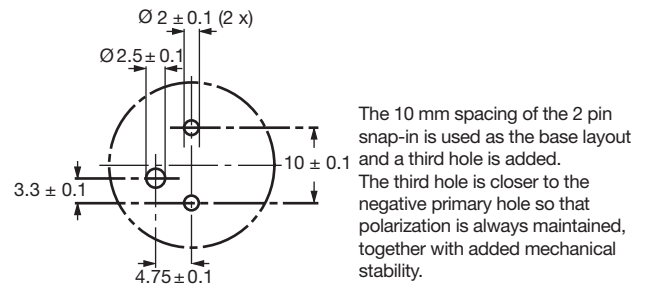


Fig. 5 - Mounting hole diagram



Table 1

DIMENSIONS in millimeters, MASS, AND PACKAGING QUANTITIES					
NOMINAL CASE SIZE Ø D x L	Ø D _{max.}	L _{max.}	MASS (g)	PACKAGING QUANTITIES (units per box)	CARDBOARD BOX DIMENSIONS L x W x H (mm)
22 x 25	23	27	12	100	260 x 250 x 39
22 x 30	23	32	16	100	260 x 250 x 44
25 x 30	26	32	22	100	290 x 280 x 44
25 x 40	26	42	27	100	290 x 280 x 54
30 x 30	31	32	30	100	340 x 330 x 44
30 x 35	31	37	35	100	340 x 330 x 49
30 x 40	31	42	40	100	340 x 330 x 54
35 x 40	36	42	55	50	390 x 198 x 54

ELECTRICAL DATA	
SYMBOL	DESCRIPTION
C _R	Rated capacitance at 100 Hz
I _R	Rated RMS ripple current at 100 Hz or 10 kHz, 105 °C
I _{L5}	Max. leakage current after 5 minutes at U _R
ESR	Max. equivalent series resistance at 100 Hz ⁽¹⁾
Z	Max. impedance at 10 kHz

Notes

- Unless otherwise specified, all electrical values in Table 2 apply at T_{amb} = 20 °C, P = 86 kPa to 106 kPa, RH = 45 % to 75 %
- ⁽¹⁾ ESR at 120 Hz is approximately 0.95 x ESR 100 Hz

ORDERING EXAMPLE

Electrolytic capacitor 090 series

3300 µF / 80 V; ± 20 %

Nominal case size: Ø 30 mm x 40 mm

2-terminal snap-in:

Ordering code: MAL209032332E3

Former 12NC: 2222 09032332

3-terminal snap-in:

Ordering code: MAL209072332E3

Former 12NC: 2222 09072332

Table 2

ELECTRICAL DATA AND ORDERING INFORMATION									
U _R (V)	C _R 100 Hz (µF)	NOMINAL CASE SIZE Ø D x L (mm)	I _R 100 Hz 105 °C (A)	I _R 10 kHz 105 °C (A)	I _{L5} 5 min (µA)	MAX. ESR 100 Hz ⁽¹⁾ (mΩ)	MAX. Z 10 kHz (mΩ)	ORDERING CODE MAL2090.....	
								2-TERM. SI	3-TERM. SI
16	6800	22 x 25	2.5	3.0	222	82	66	15682E3	55682E3
	10 000	22 x 30	3.1	3.6	324	59	48	15103E3	55103E3
	15 000	25 x 30	3.2	3.9	484	53	44	25153E3	65153E3
	22 000	25 x 40	4.1	5.0	708	38	33	25223E3	65223E3
	22 000	30 x 30	3.3	4.1	708	54	43	35223E3	75223E3
	27 000	30 x 35	3.8	4.6	868	45	36	35273E3	75273E3
	33 000	30 x 40	4.2	5.0	1060	39	32	35333E3	75333E3
	47 000	35 x 40	4.3	5.2	1508	43	32	45473E3	85473E3
25	4700	22 x 25	2.3	2.8	236	89	66	16472E3	56472E3
	6800	22 x 30	2.9	3.4	341	65	49	16682E3	56682E3
	8200	25 x 30	3.1	3.7	411	60	46	26822E3	66822E3
	10 000	25 x 40	3.9	4.6	501	46	35	26103E3	66103E3
	12 000	25 x 40	3.9	4.7	601	43	34	26123E3	66123E3
	12 000	30 x 30	3.3	4.1	601	56	44	36123E3	76123E3
	15 000	30 x 35	3.8	4.6	751	46	36	16153E3	56153E3
	15 000	30 x 40	4.3	5.1	751	40	33	36153E3	76153E3
22 000	35 x 40	4.6	5.5	1101	40	31	46223E3	86223E3	
35	4700	22 x 30	2.5	3.1	330	78	53	10472E3	50472E3
	10 000	30 x 30	2.9	3.5	701	70	49	30103E3	70103E3
	15 000	30 x 40	3.7	4.4	1051	49	35	30153E3	70153E3
	22 000	35 x 40	3.8	4.5	1541	55	35	40223E3	80223E3



ELECTRICAL DATA AND ORDERING INFORMATION									
U _R (V)	C _R 100 Hz (µF)	NOMINAL CASE SIZE Ø D x L (mm)	I _R 100 Hz 105 °C (A)	I _R 10 kHz 105 °C (A)	I _{L5} 5 min (µA)	MAX. ESR 100 Hz ⁽¹⁾ (mΩ)	MAX. Z 10 kHz (mΩ)	ORDERING CODE MAL2090.....	
								2-TERM. SI	3-TERM. SI
40	6800	25 x 40	3.5	4.2	545	51	38	27682E3	67682E3
	10 000	30 x 40	3.9	4.6	801	48	36	37103E3	77103E3
	15 000	35 x 40	4.1	4.9	1201	50	35	47153E3	87153E3
50	2200	22 x 25	1.9	2.3	221	145	106	11222E3	51222E3
	3300	22 x 30	2.3	2.9	331	101	76	11332E3	51332E3
	3900	25 x 30	2.5	3.1	391	93	71	21392E3	61392E3
	4700	25 x 30	2.6	3.2	471	85	70	31472E3	71472E3
	4700	25 x 40	3.2	3.9	471	71	55	21472E3	61472E3
	5600	25 x 40	3.2	4.0	561	66	51	21562E3	61562E3
	6800	30 x 30	2.8	3.3	681	83	65	31682E3	71682E3
	8200	30 x 35	3.2	3.8	821	68	54	31822E3	71822E3
	10 000	30 x 40	3.6	4.2	1001	58	46	31103E3	71103E3
15 000	35 x 40	3.6	4.4	1501	63	45	41153E3	81153E3	
63	1500	22 x 25	1.9	2.3	190	161	126	18152E3	58152E3
	2200	22 x 30	2.3	2.8	279	114	90	18222E3	58222E3
	2700	25 x 30	2.5	3.1	342	101	81	28272E3	68272E3
	3300	25 x 40	3.2	3.8	417	79	63	28332E3	68332E3
	3900	25 x 40	3.2	3.9	493	71	58	28392E3	68392E3
	3900	30 x 30	2.8	3.4	493	89	74	38392E3	78392E3
	4700	30 x 30	2.8	3.3	594	88	71	18472E3	58472E3
	4700	30 x 35	3.2	3.9	594	74	61	38472E3	78472E3
	5600	30 x 35	3.2	3.8	707	71	59	38562E3	78562E3
	6800	30 x 40	3.6	4.2	858	61	51	38682E3	78682E3
8200	35 x 40	3.9	4.6	1035	61	50	48822E3	88822E3	
80	820	22 x 25	1.4	1.6	133	244	184	12821E3	52821E3
	1000	22 x 30	1.6	1.9	161	196	146	12102E3	52102E3
	1500	25 x 30	1.9	2.3	241	145	113	22152E3	62152E3
	2200	25 x 40	2.5	3.0	353	101	79	22222E3	62222E3
	2200	30 x 30	2.3	2.7	353	119	96	32222E3	72222E3
	2700	30 x 35	2.5	3.1	433	98	79	32272E3	72272E3
	3300	30 x 40	2.9	3.4	529	81	66	32332E3	72332E3
	4700	35 x 40	3.1	3.7	753	75	63	42472E3	82472E3
100	560	22 x 25	1.3	1.4	113	269	184	19561E3	59561E3
	680	22 x 30	1.4	1.7	137	216	146	19681E3	59681E3
	1000	25 x 30	1.7	2.1	201	163	114	29102E3	69102E3
	1500	25 x 40	2.3	2.8	301	111	79	29152E3	69152E3
	1500	30 x 30	2.1	2.4	301	130	98	39152E3	79152E3
	1800	30 x 35	2.3	2.9	361	108	80	39182E3	79182E3
	2200	30 x 40	2.7	3.2	441	90	68	39222E3	79222E3
	3300	35 x 40	2.9	3.4	661	81	64	49332E3	89332E3

ADDITIONAL ELECTRICAL DATA		
PARAMETER	CONDITIONS	VALUE
Voltage		
Surge voltage		$U_s = 1.15 \times U_R$
Reverse voltage		$U_{rev} \leq 1 \text{ V}$
Current		
Leakage current	After 1 min at U_R	$I_{L1} \leq 0.006 C_R \times U_R + 4 \mu\text{A}$
	After 5 min at U_R	$I_{L5} \leq 0.002 C_R \times U_R + 4 \mu\text{A}$
Inductance		
Equivalent series inductance (ESL)	All case sizes	Typ. 19 nH
		Max. 25 nH

RIPPLE CURRENT AND USEFUL LIFE

Table 3

ENDURANCE TEST DURATION AND USEFUL LIFE	
ENDURANCE AT 105 °C (h)	USEFUL LIFE AT 105 °C (h)
2000	5000

Note

- Multiplier of useful life code: MGA454

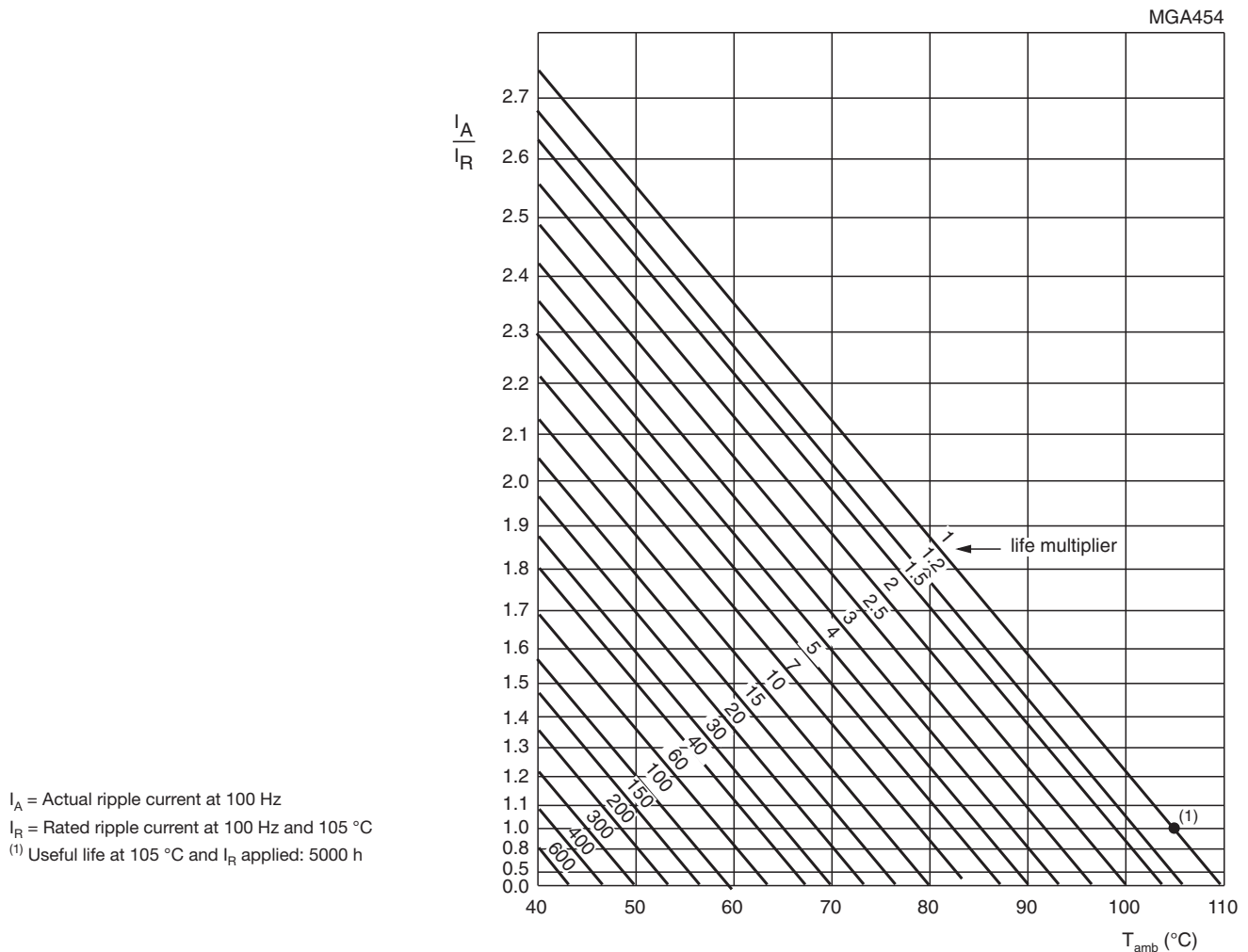


Fig. 6 - Multiplier of useful life as a function of ambient temperature and ripple current load

Table 4

MULTIPLIER OF RIPPLE CURRENT (I_R) AS A FUNCTION OF FREQUENCY							
FREQUENCY (Hz)							
50	100	200	400	1000	2000	4000	≥ 10 000
I_R MULTIPLIER							
0.91	1.00	1.05	1.09	1.13	1.15	1.18	1.22

Table 5

TEST PROCEDURES AND REQUIREMENTS			
TEST		PROCEDURE (quick reference)	REQUIREMENTS
NAME OF TEST	REFERENCE		
Endurance	IEC 60384-4 / EN 130300 subclause 4.13	$T_{amb} = 105\text{ °C}$; U_R applied; 2000 h	$\Delta C/C: \pm 15\%$ $ESR \leq 1.3 \times \text{spec. limit}$ $Z \leq 2 \times \text{spec. limit}$ $I_{L5} \leq \text{spec. limit}$
Useful life	CECC 30301 subclause 1.8.1	$T_{amb} = 105\text{ °C}$; U_R and I_R applied; 5000 h	$\Delta C/C: \pm 20\%$ $ESR \leq 3 \times \text{spec. limit}$ $Z \leq 3 \times \text{spec. limit}$ $I_{L5} \leq \text{spec. limit}$ no short or open circuit, no visible damage total failure percentage: $U_R: \leq 1\%$
Shelf life (storage at high temperature)	IEC 60384-4 / EN 130300 subclause 4.17	$T_{amb} = 105\text{ °C}$; no voltage applied; 500 h After test: U_R to be applied for 30 min, 24 h to 48 h before measurement	$\Delta C/C: \pm 15\%$ $ESR \leq 1.5 \times \text{spec. limit}$ $I_{L5} \leq 2 \times \text{spec. limit}$

Statements about product lifetime are based on calculations and internal testing. They should only be interpreted as estimations. Also due to external factors, the lifetime in the field application may deviate from the calculated lifetime. In general, nothing stated herein shall be construed as a guarantee of durability.



Disclaimer

ALL PRODUCT, PRODUCT SPECIFICATIONS AND DATA ARE SUBJECT TO CHANGE WITHOUT NOTICE TO IMPROVE RELIABILITY, FUNCTION OR DESIGN OR OTHERWISE.

Vishay Intertechnology, Inc., its affiliates, agents, and employees, and all persons acting on its or their behalf (collectively, "Vishay"), disclaim any and all liability for any errors, inaccuracies or incompleteness contained in any datasheet or in any other disclosure relating to any product.

Vishay makes no warranty, representation or guarantee regarding the suitability of the products for any particular purpose or the continuing production of any product. To the maximum extent permitted by applicable law, Vishay disclaims (i) any and all liability arising out of the application or use of any product, (ii) any and all liability, including without limitation special, consequential or incidental damages, and (iii) any and all implied warranties, including warranties of fitness for particular purpose, non-infringement and merchantability.

Statements regarding the suitability of products for certain types of applications are based on Vishay's knowledge of typical requirements that are often placed on Vishay products in generic applications. Such statements are not binding statements about the suitability of products for a particular application. It is the customer's responsibility to validate that a particular product with the properties described in the product specification is suitable for use in a particular application. Parameters provided in datasheets and / or specifications may vary in different applications and performance may vary over time. All operating parameters, including typical parameters, must be validated for each customer application by the customer's technical experts. Product specifications do not expand or otherwise modify Vishay's terms and conditions of purchase, including but not limited to the warranty expressed therein.

Except as expressly indicated in writing, Vishay products are not designed for use in medical, life-saving, or life-sustaining applications or for any other application in which the failure of the Vishay product could result in personal injury or death. Customers using or selling Vishay products not expressly indicated for use in such applications do so at their own risk. Please contact authorized Vishay personnel to obtain written terms and conditions regarding products designed for such applications.

No license, express or implied, by estoppel or otherwise, to any intellectual property rights is granted by this document or by any conduct of Vishay. Product names and markings noted herein may be trademarks of their respective owners.