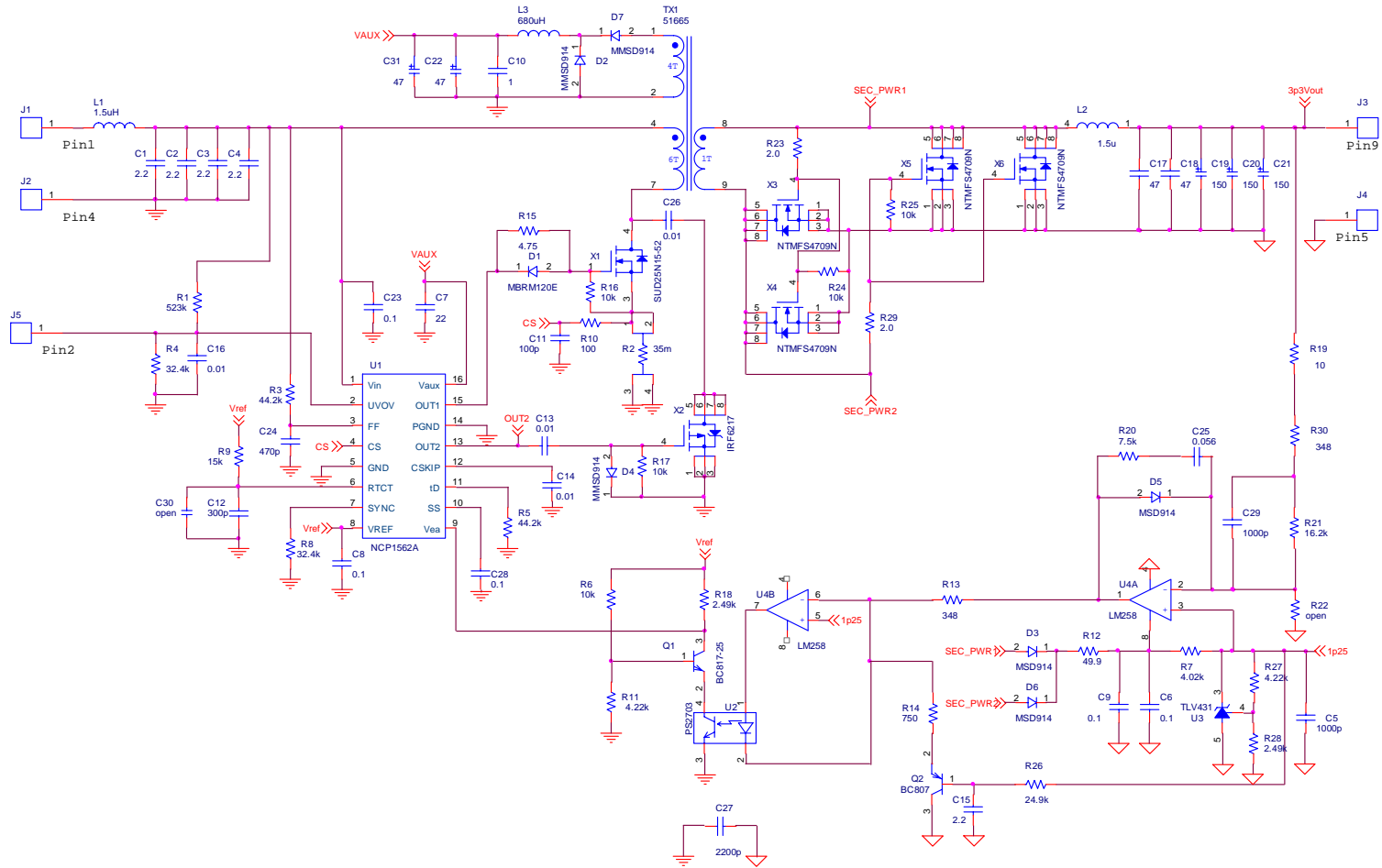


Schematic for the NCP1562 Evaluation Board



10/15/2007



10/15/2007