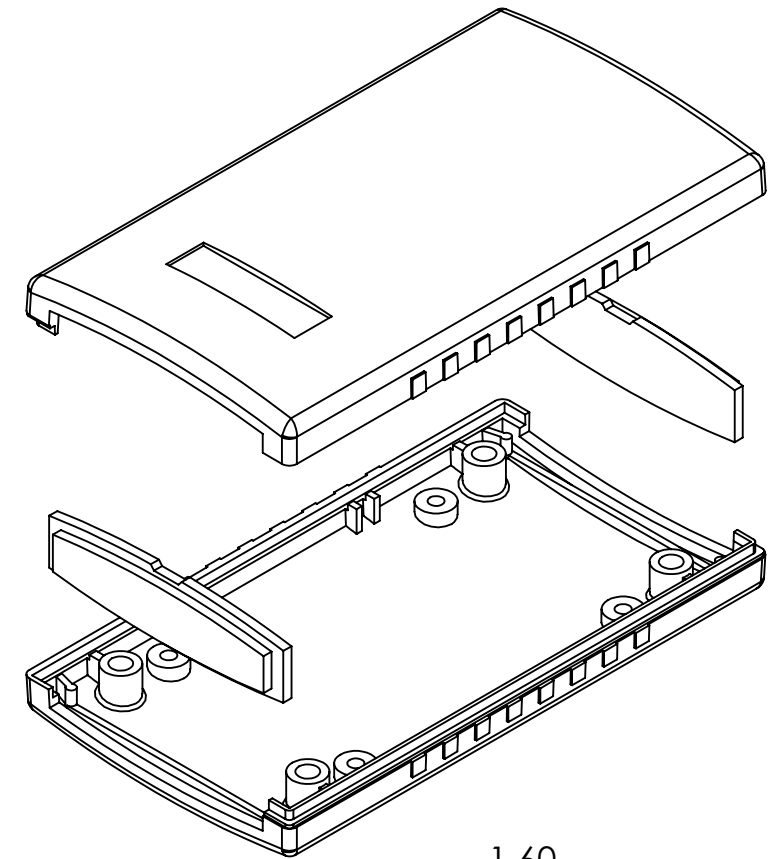
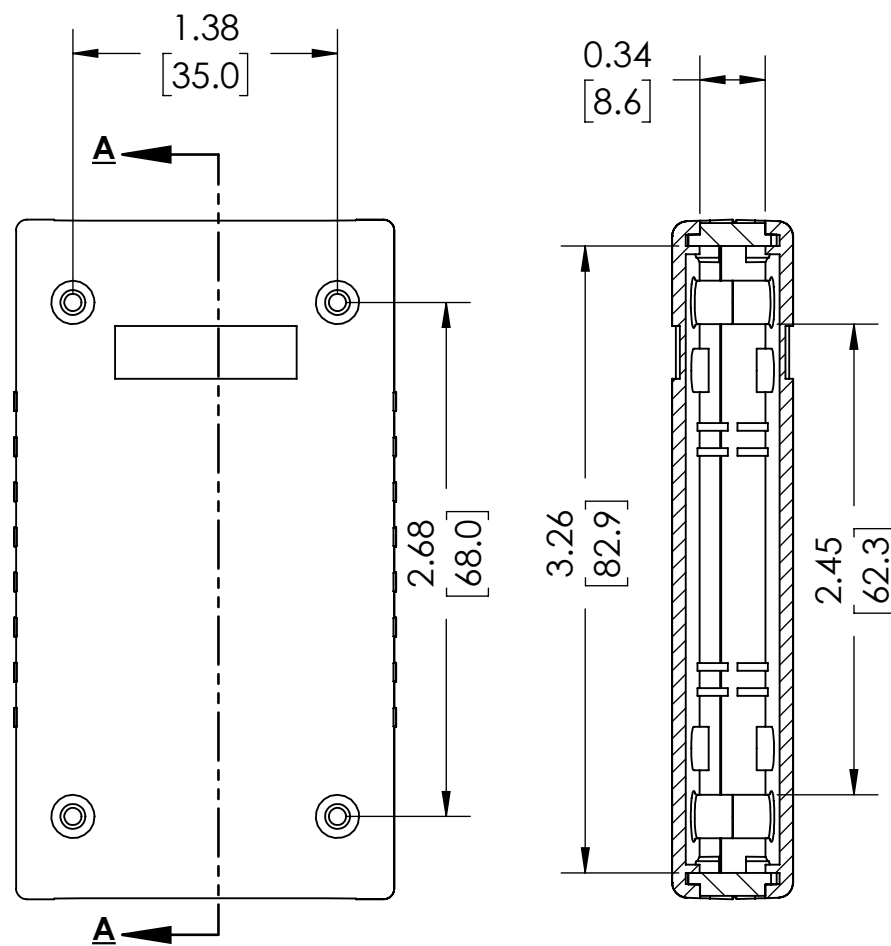
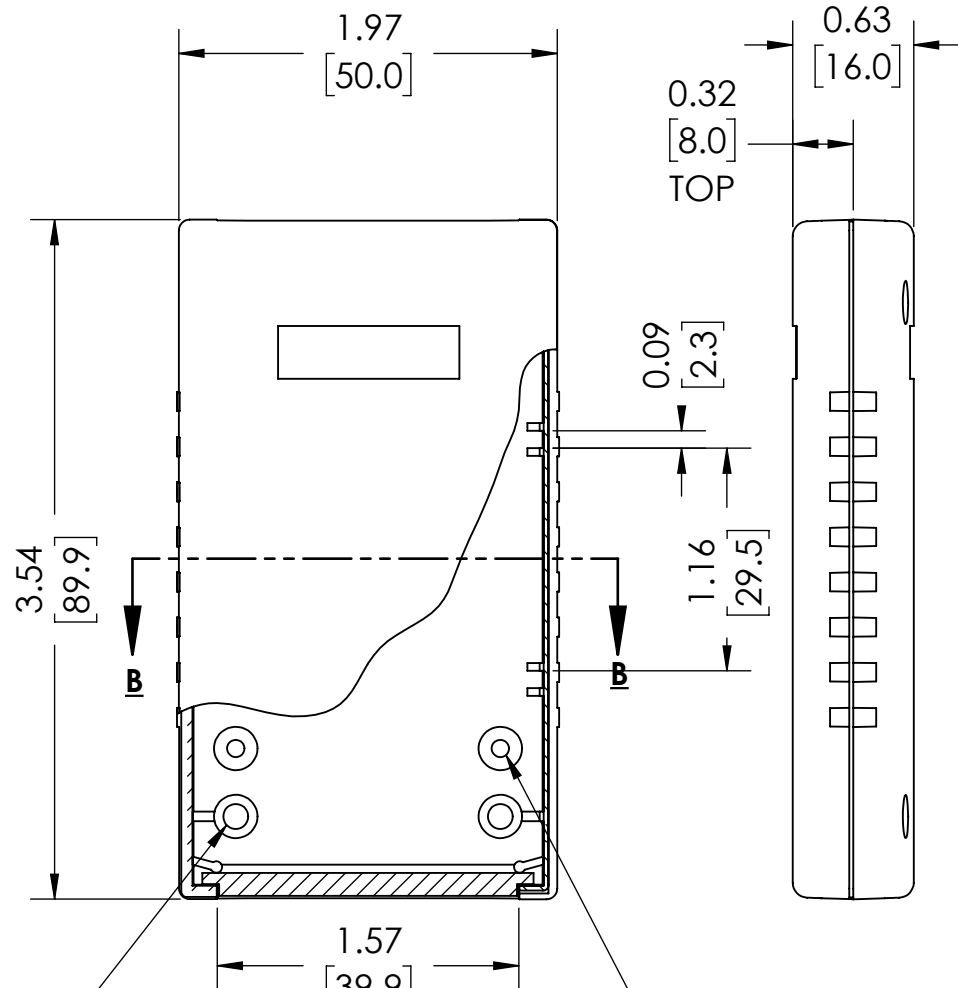
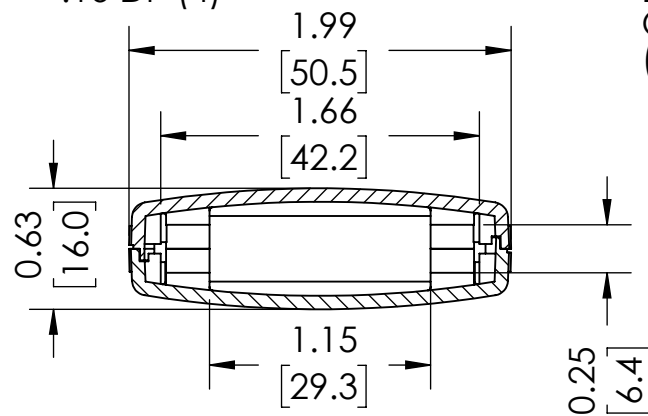


**DRAWING FOR REFERENCE**

WE RESERVE THE RIGHT TO MAKE CHANGES TO OUR STANDARD PRODUCTS. PLEASE CONSULT WITH BUD INDUSTRIES PRIOR TO USING THIS DRAWING FOR DESIGN PURPOSE.

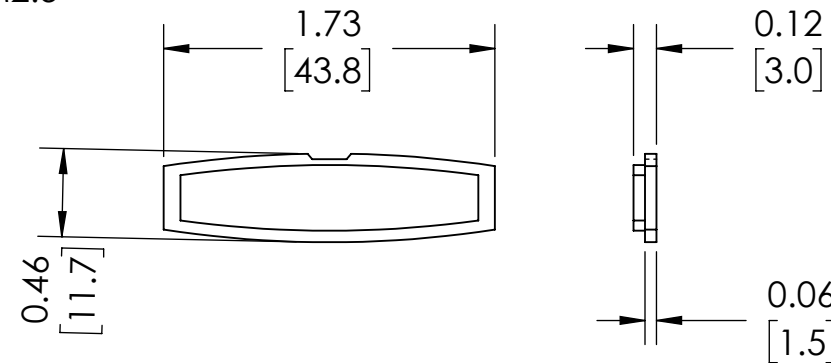


.24 DIA BOSS WITH .09 DIA HOLE X .16 DP (4)  
 .22 DIA BOSS WITH .09 DIA HOLE X .16 DP MOUNTING BOSSES (4) SEE PCB BELOW FOR LOCATIONS - USE M2.5 OR #4 SHEET METAL SCREW (NOT SUPPLIED)

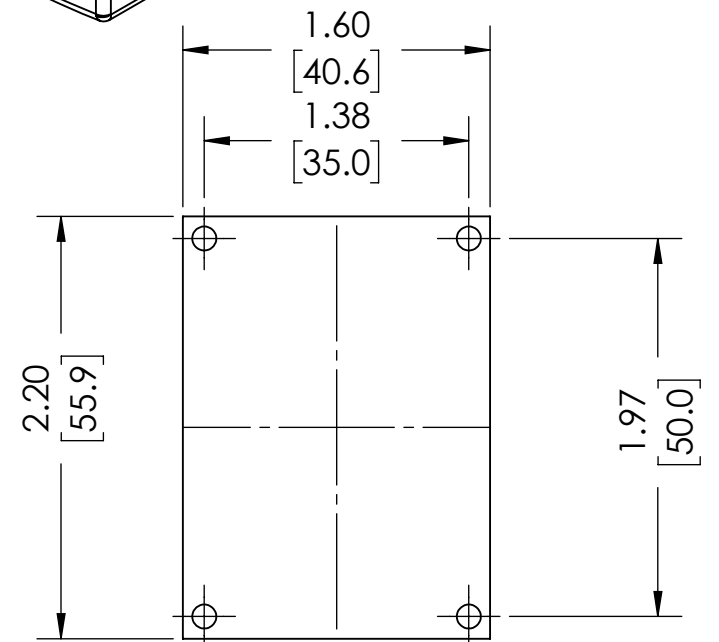


**SECTION B-B SCALE 1 : 1**

**SECTION A-A SCALE 1 : 1**



**PANEL (2) PCS**



**SUGGESTED PCB LAYOUT**

- NOTE:
1. FOUR (4X) M3 X 11mm [0.43"] SCREWS SUPPLIED FOR ASSEMBLY
  2. ALL OUTSIDE AND INSIDE LARGE SURFACES FOLLOW CONTOUR OF MAIN FACE

FOR ADDITIONAL PRODUCT INFORMATION AND ACCESSORIES VISIT [WWW.BUDIND.COM](http://WWW.BUDIND.COM)

**MATERIAL AND FINISH:**  
 NO SUFFIX - DARK GRAY ABS COVERS WITH LIGHT GRAY ABS END PANELS. UL94V-0 FLAMMABILITY RATING.  
 SUFFIX -LG - LIGHT GRAY ABS COVERS WITH DARK GRAY ABS END PANELS. UL94-HB FLAMMABILITY RATING.