

## SUMMARY

### # Wires

Low voltage 8



*Image is for illustrative purpose only*

Series 2B  
Termination type Female crimp  
IP rating 50  
AWG wire size 24.00 - 22.00  
Cable Ø 7.30 - 8.20 mm  
Status active

### Download

[Request a quote](#)

[Catalog](#)

## TECHNICAL DETAILS

### Mechanics

Shell Style/Model PK\*: Fixed receptacle, nut fixing, cable collet  
Keying 1 key (alpha=0, plug: male contacts, receptacle: female contacts)  
Housing Material Brass (chrome plated [SAE AMS 2460]) shell and collet nut, nickel plated [SAE AMS QQ N 290] brass latch sleeve and mid pieces  
Weight 30.12 g

### Performance

Configuration 2B.514 : 8 High Speed, Low Voltage (CAT 6A)  
Insulator Y: PEEK for crimp contacts  
Rated Current

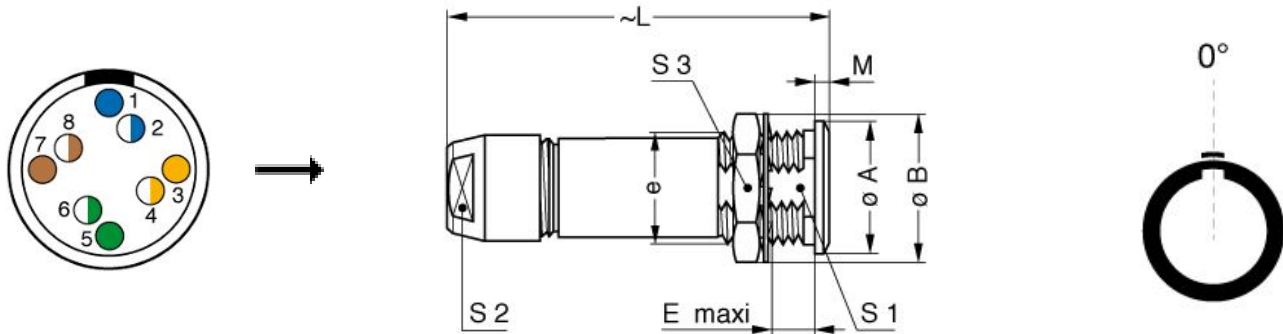
### Others

Endurance (Shell): 5000  
Temp (min / max): -55 °C / +250 °C  
Humidity (max): <=95% [at 60 deg C /140 F]  
Vibration: 15 g [10 Hz - 2000 Hz]

*LEMO products and services are provided "as is". LEMO makes no warranties or representations with regard to LEMO product & services or use of them, express, implied or statutory, including for accuracy, completeness, or security. The user is fully responsible for his products and applications using LEMO components.*

Shock Resistance: 100 g [ 6 ms]  
 Climatical Category: 50/175/21  
 Shielding (min): 75 dB (10 MHz)  
 Shielding (min): 40 dB (1 GHz)  
 Salt Spray Corrosion: >1000 hr

## DRAWINGS



### Dimensions

|     | A    | B    | E    | L    | M    | S1   | S2   | S3   | e       |
|-----|------|------|------|------|------|------|------|------|---------|
| mm. | 18   | 19.2 | 8.5  | 47   | 1.8  | 13.5 | 12   | 17   | M15x1.0 |
| in. | 0,71 | 0,76 | 0,33 | 1,85 | 0,07 | 0,53 | 0,47 | 0,67 |         |

## RECOMMENDED BY LEMO

### Tools

- Crimp Tool: [DPC.91.701.V](#)  
 Crimp settings: AWG/Selector = 22-24-26/6-5-5  
 Positionner: [DCE.91.072.BVM](#)  
 Extractor: [DCF.91.070.2LT](#)  
 Replacement contact: EGG.2B.655.ZZM  
 Spanner wrench: [DCD.2B.025.PA120](#)

LEMO products and services are provided "as is". LEMO makes no warranties or representations with regard to LEMO product & services or use of them, express, implied or statutory, including for accuracy, completeness, or security. The user is fully responsible for his products and applications using LEMO components.

## Cables

*LEMO products and services are provided "as is". LEMO makes no warranties or representations with regard to LEMO product & services or use of them, express, implied or statutory, including for accuracy, completeness, or security. The user is fully responsible for his products and applications using LEMO components.*