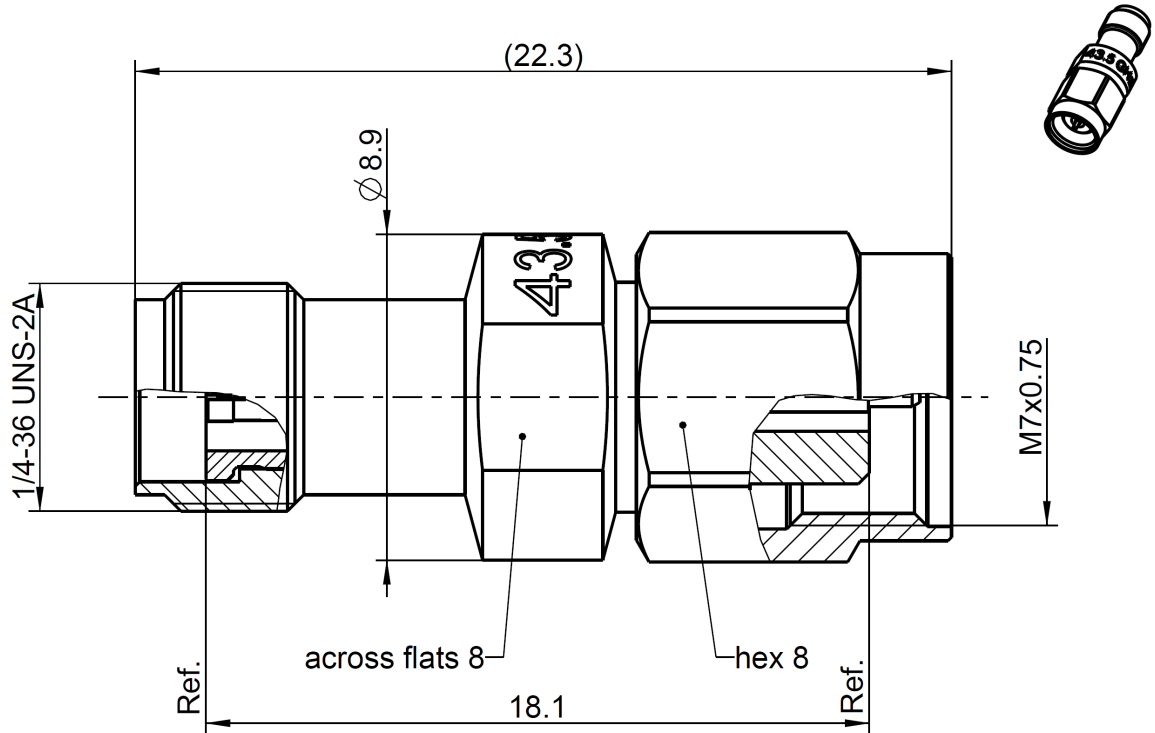


RPC-2.92 Adaptor  
 RPC-1.85 Jack - Plug

**02K108-S0BS3**



All dimensions are in mm; tolerances according to ISO 2768 m-H

**Interface**

RPC-2.92 according to	IEC 61169-35
RPC-2.92 mechanically compatible with	RPC-3.50 and SMA
RPC-1.85 according to	IEC 61169-32
RPC-1.85 mechanically compatible with	RPC-2.40

**Documents**

N/A

**Material and plating**

**Connector parts**

Center contact  
 Outer contact  
 Coupling nut  
 Dielectric

**Material**

CuBe  
 Stainless steel  
 Stainless steel  
 TPX

**Plating**

Gold, min. 1.27 µm, over chemical nickel  
 Passivated  
 Passivated

# Technical Data Sheet

# Rosenberger

RPC-2.92 Adaptor  
RPC-1.85 Jack - Plug

## 02K108-S0BS3

### Electrical data

Impedance	50 $\Omega$
Frequency	DC to 43.5 GHz
Return loss	$\geq 17$ dB, DC to 43.5 GHz
Insertion loss	$\leq 0.05 \times \sqrt{f(\text{GHz})}$ dB
Insulation resistance	$\geq 5$ G $\Omega$
Test voltage	500 V rms
Working voltage	150 V rms
RF-leakage	$\geq 100$ dB up to 1 GHz

### Mechanical data

Mating cycles	$\geq 500$
Center contact captivation	$\geq 20$ N
Coupling test torque RPC-2.92	1.70 Nm
Recommended torque RPC-2.92	0.80 Nm to 1.10 Nm
Coupling test torque RPC-1.85	1.65 Nm
Recommended torque RPC-1.85	0.80 Nm to 1.10 Nm

### Environmental data

Temperature range	-40°C to +125°C
Thermal shock	MIL-STD-202, Method 107, Condition B
Corrosion	MIL-STD-202, Method 101, Condition B
Vibration	MIL-STD-202, Method 204, Condition D
Shock	MIL-STD-202, Method 213, Condition I
Moisture resistance	MIL-STD-202, Method 106
RoHS	compliant

### Tooling

N/A

### Suitable cables

N/A

### Weight

5.2 g/pce

While the information has been carefully compiled to the best of our knowledge, nothing is intended as representation or warranty on our part and no statement herein shall be construed as recommendation to infringe existing patents. In the effort to improve our products, we reserve the right to make changes judged to be necessary.

Draft	Date	Approved	Date	Rev.	Engineering change number	Name	Date
S. Andorfer	09.07.20	H. Babinger	19.01.22	200	22-v023	A. Youmsi	19.01.22
Rosenberger Hochfrequenztechnik GmbH & Co. KG P.O.Box 1260 D-84526 Tittmoning Germany <a href="http://www.rosenberger.de">www.rosenberger.de</a>				Tel.: +49 8684 18-0 Email: <a href="mailto:info@rosenberger.de">info@rosenberger.de</a>			Page 2 / 2