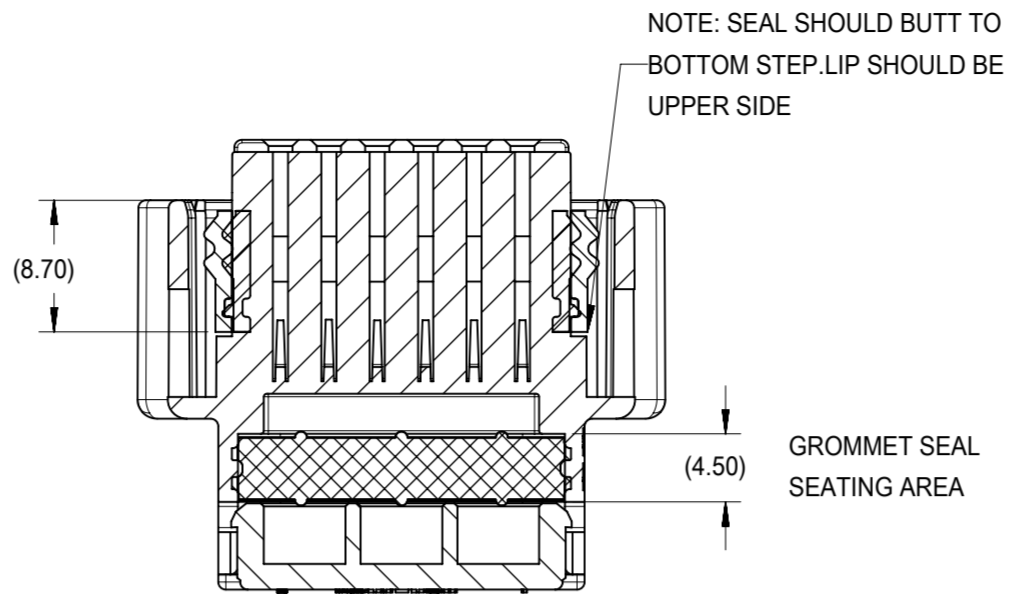


PERIPHERAL SEAL SEATING AREA



SECTION Z-Z

NOTE: GROMMET CAP LOCK SHOULD PROPERLY ENGAGE WITH HOUSING SLOT

NOTE: SEAL SHOULD BUTT TO BOTTOM STEP. LIP SHOULD BE UPPER SIDE

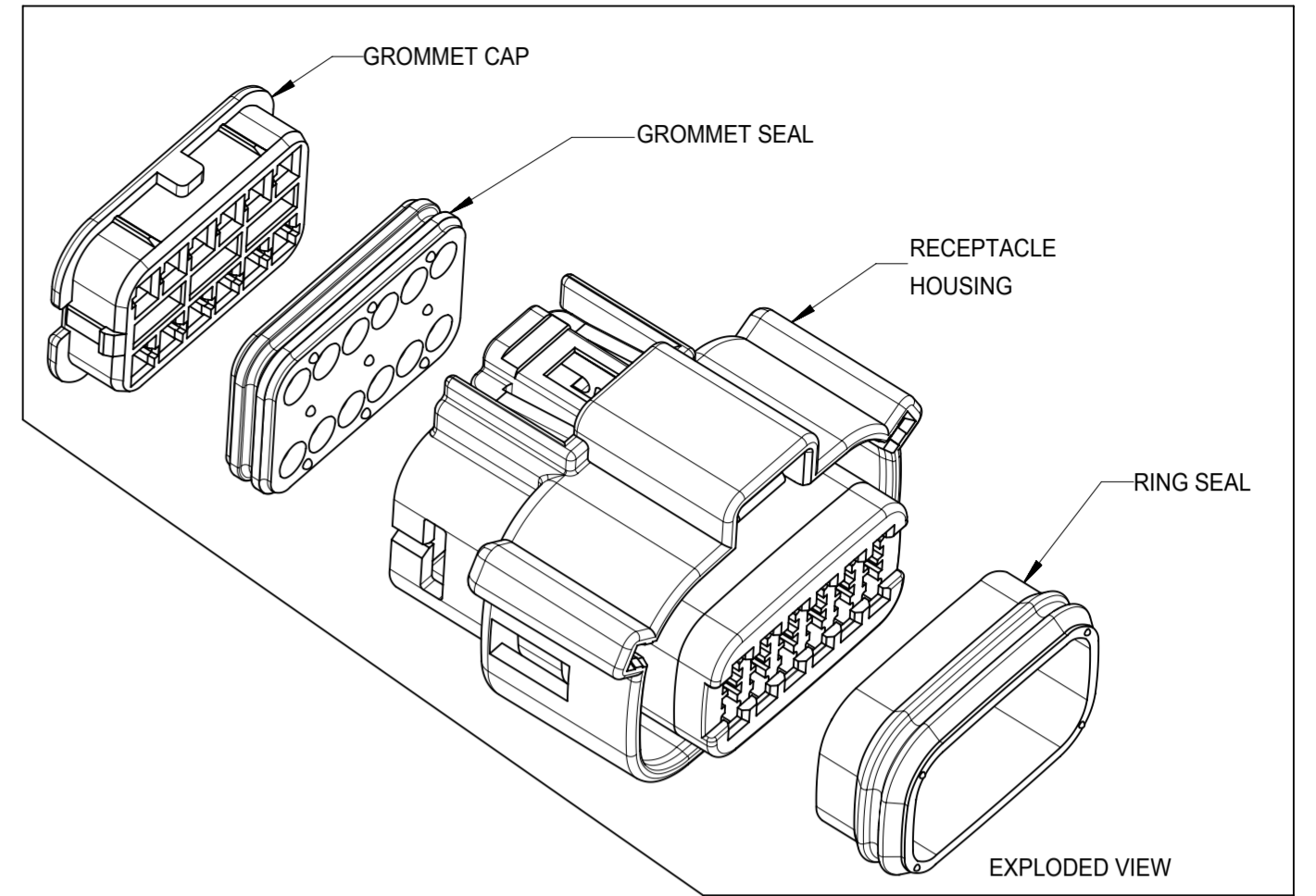


TABLE B

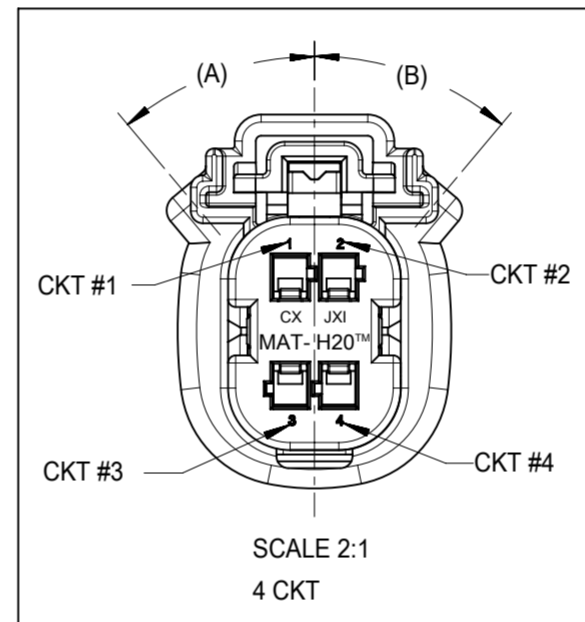
PART #	PART DESCRIPTION	MATERIAL	COLOR
367830009	GROMMET CAP	HB RATED 30% GALSS FILLED NYLON	RESIN: BLACK
367830010	RING SEAL	SILICON RUBBER	RUST RED
367830011	GROMMET SEAL	SILICON RUBBER	LIGHT BLUE
367830008	RECEPTACLE HOUSING	HB RATED 30% GALSS FILLED NYLON	RESIN: BLACK
367830022	RECEPTACLE HOUSING	HB RATED 30% GALSS FILLED NYLON	RESIN: GREY

TABLE A

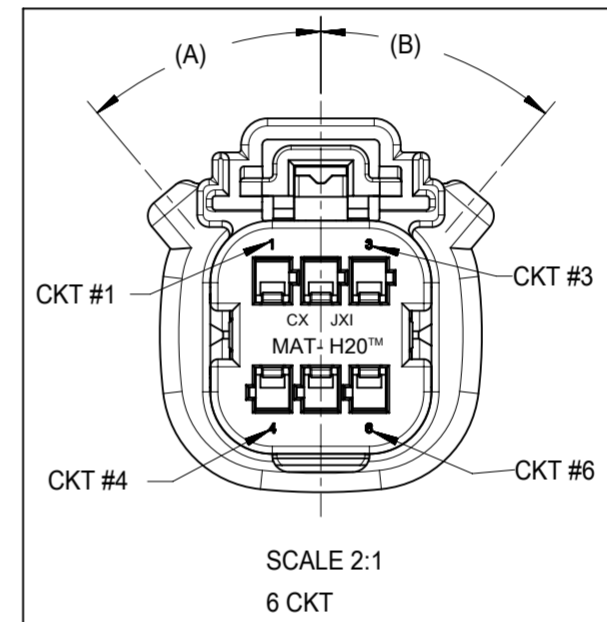
PART#	COLOR	CKT SIZE	KEYING DIMENSION		DIMENSION	TOOLING STATUS
			(A)	(B)		
367920401	BLACK	4	40°	40°	19.54	PROTO TOOLING AVAILABLE
367920601		6	40°	40°	22.87	TO BE TOOLED
367920801		8	60°	60°	27.89	TO BE TOOLED
367921001		10	60°	60°	31.59	TO BE TOOLED
367921201		12	60°	60°	34.89	PRODUCTION TOOLING AVAILABLE
367921206	GREY	12	60°	60°	34.89	PRODUCTION TOOLING AVAILABLE

NOTE:

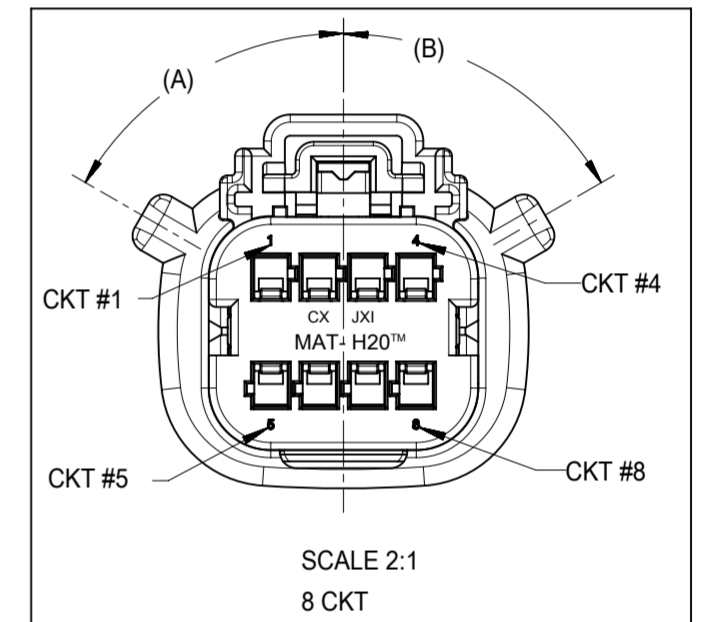
- MATERIAL: SEE TABLE B
- MATES WITH SERIES A) 36783
B) 36806
C) 36791
- USE WITH RECEPTACLE TERMINAL SERIES 36799
- COMPLY WITH PACKING SPECIFICATION PK-36783-002
- SHALL CONFIRM TO PRODUCT SPECIFICATION PS-36783-001
- MANUFACTURING DATE CODE WILL BE IDENTIFIED ON BAR CODE LABEL SHIPPED AGAINST EACH ORDER, PARTS WILL BE TRACED AGAINST THIS.
- FEMALE TERMINAL TO BE CRIMPED AND INSERTED INTO RECEPTACLE HOUSING.
- ALL DIMENSIONS SHOWN ARE APPLICABLE AS RECEIVED INTO CUSTOMER PLACE.
- MOLEX OWNS RESPONSIBILITY AS SHIPPED FROM MOLEX. ASSEMBLY OF RECEPTACLE ON TO MATING INLINE HARNESS ALONG WITH IT'S FUNCTIONALITY COMES UNDER CUSTOMER SCOPE.
- TO VOID THE REQUIRED CKT, CUSTOMER HAS TO USE CAVITY PLUG SERIES 36804, REFER DOCUMENT # AS-36783-001
- FOR PRODUCT TOOLING STATUS REFER TABLE A
- QUANTITY OF COMPONENTS PER RECEPTACLE ASSEMBLY WILL BE ONE EACH.



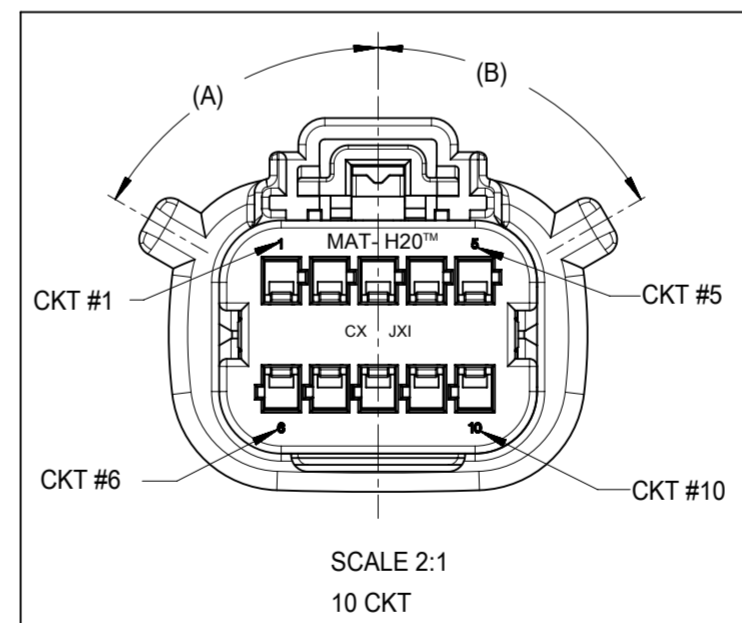
SCALE 2:1
4 CKT



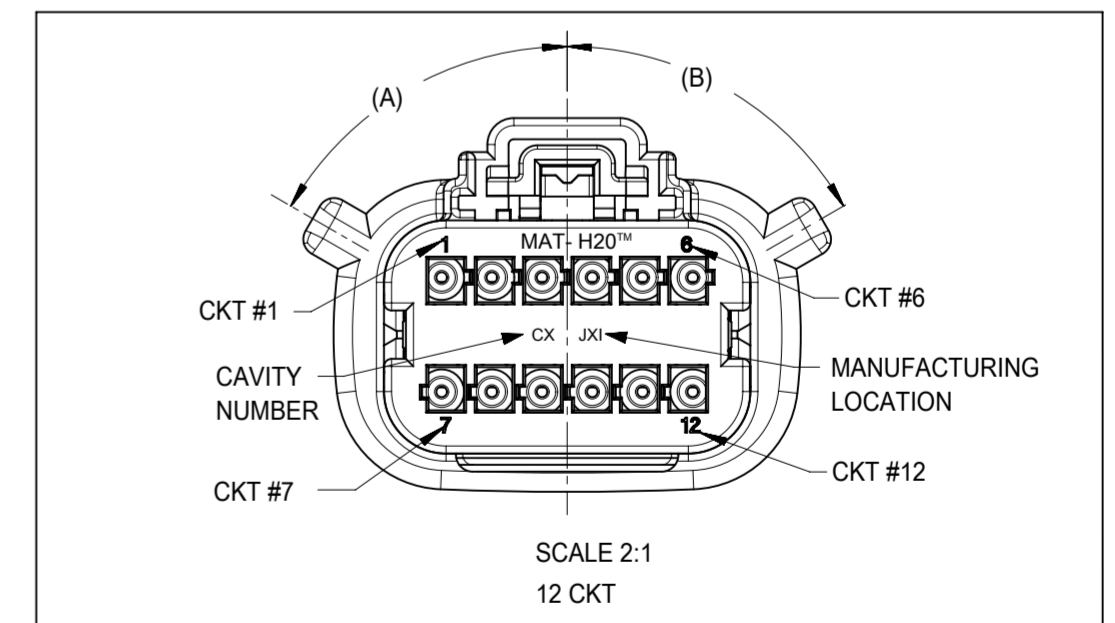
SCALE 2:1
6 CKT



SCALE 2:1
8 CKT



SCALE 2:1
10 CKT



SCALE 2:1
12 CKT

SYMBOLS	THIS DRAWING CONTAINS INFORMATION THAT IS PROPRIETARY TO MOLEX ELECTRONIC TECHNOLOGIES, LLC AND SHOULD NOT BE USED WITHOUT WRITTEN PERMISSION	
$\nabla = 0$	DIMENSION UNITS	SCALE
$\nabla = 0$	mm	1:1
$\nabla = 0$	CURRENT REV DESC: MOLEX TRADE MARK 'MAT-H20' LOGO HAVE UPDATED	
$\nabla = 0$	GENERAL TOLERANCES (UNLESS SPECIFIED)	
$\nabla = 0$	ANGULAR TOL $\pm 0.5^\circ$	
$\nabla = 0$	EC NO: 634933	
$\nabla = 0$	4 PLACES \pm	DRWN: RGV 2020/02/20
$\nabla = 0$	3 PLACES \pm	CHK'D: RGV 2020/03/30
$\nabla = 0$	2 PLACES ± 0.1	APPR: SNAYAK01 2020/04/27
$\nabla = 0$	1 PLACE ± 0.2	INITIAL REVISION:
$\nabla = 0$	0 PLACES \pm	DRWN: MPPETKAR 2012/07/12
$\nabla = 0$	DRAFT WHERE APPLICABLE MUST REMAIN WITHIN DIMENSIONS	APPR: VUTTARKAR 2012/07/17
$\nabla = 0$	THIRD ANGLE PROJECTION	DRAWING
$\nabla = 0$	A2-SIZE	SERIES
	36792	36792
	DOCUMENT NUMBER	DOC TYPE
	SD-36792-001	PSD
	CUSTOMER	DOC PART
	GENERAL MARKET	001
	SHEET NUMBER	REVISION
	1 OF 1	A3

molex

MX120G DUAL ROW
3.2 RECEPTACLE ASSY SEALED SYSTEM

PRODUCT CUSTOMER DRAWING

DOCUMENT NUMBER	DOC TYPE	DOC PART	REVISION
SD-36792-001	PSD	001	A3
MATERIAL NUMBER	CUSTOMER	SHEET NUMBER	
SEE TABLE - A	GENERAL MARKET	1 OF 1	