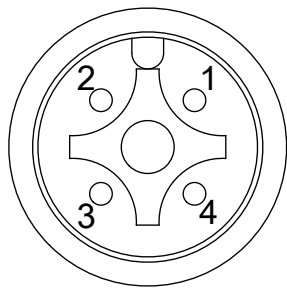


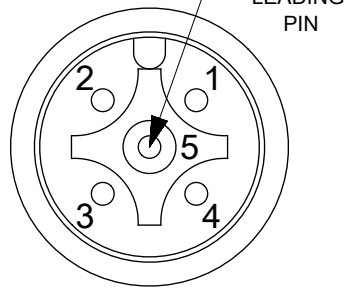
M12 4 POLE MALE



VIEW FROM THE FRONT SIDE

Pin	Wire color
1	BROWN
2	WHITE
3	BLUE
4	BLACK

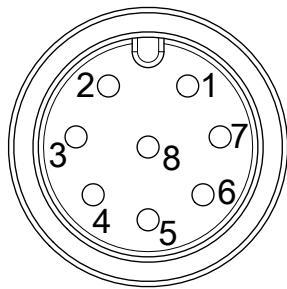
M12 5 POLE MALE



VIEW FROM THE FRONT SIDE

Pin	Wire color
1	BROWN
2	WHITE
3	BLUE
4	BLACK
5	GREY

M12 8 POLE MALE



VIEW FROM THE FRONT SIDE

Pin	Wire color
1	WHITE
2	BROWN
3	GREEN
4	YELLOW
5	GREY
6	PINK
7	BLUE
8	RED

ENGINEERING No. - NUMERICAL CODE

Rev. A Transferred to ECTR / New PNs added

(Available parts see PART LIST table. Others parts available upon request)

8 R X J 4 6 X X X X X X X X

8R = Receptacle M12

Poles:
4 = 4 Poles
5 = 5 Poles
8 = 8 Poles

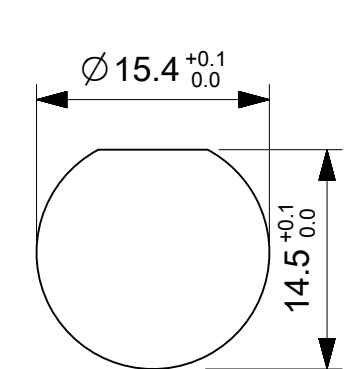
Shell type

Wires:
E03 = 22AWG PVC
E02 = 24AWG PVC
A16 = 18AWG PVC

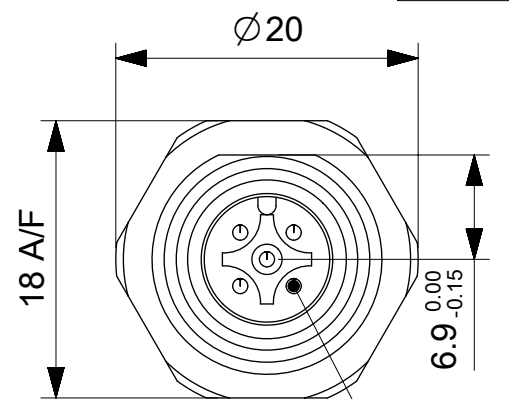
Units:
C = Centimeters
M = Meters

Length
Examples:
005 = 0.5 units
010 = 1 units
100 = 10 units

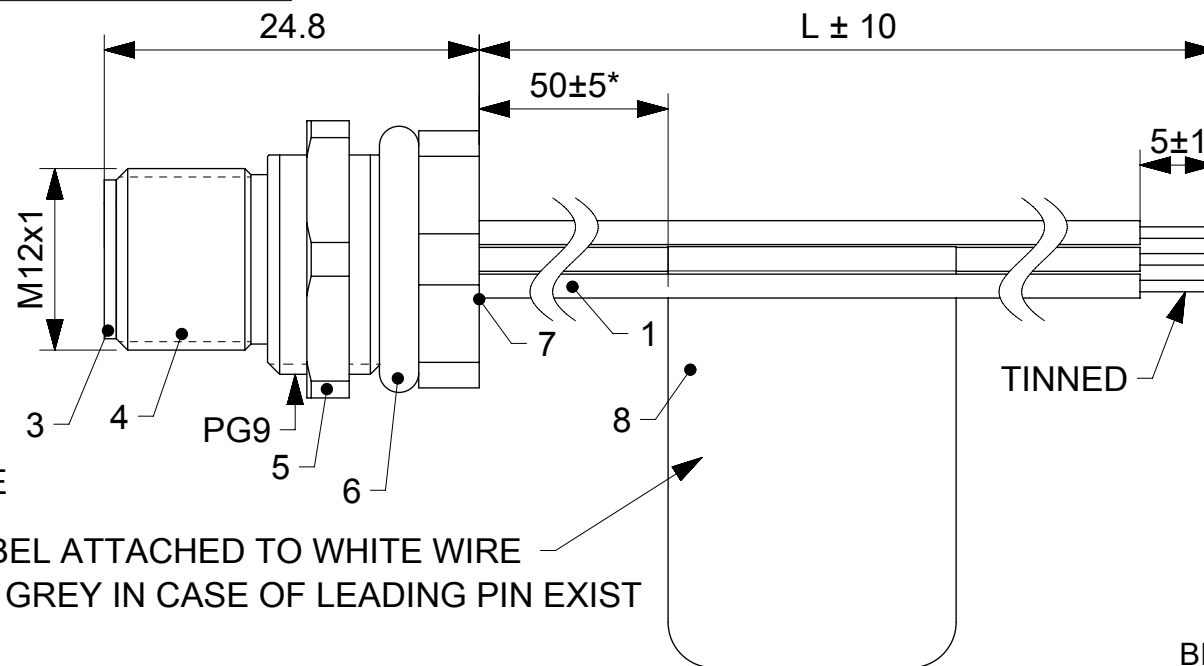
Shell material:
blank, 3 = Standard,
Brass Nickel plated



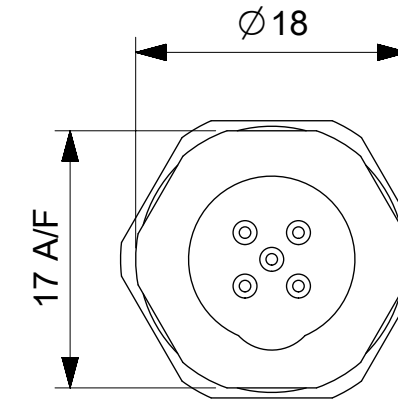
PANEL CUT OUT



VIEW FROM THE FRONT SIDE



LABEL ATTACHED TO WHITE WIRE
OR GREY IN CASE OF LEADING PIN EXIST



VIEW FROM THE WIRES SIDE

*10±2 FOR 1200708324

PART LIST

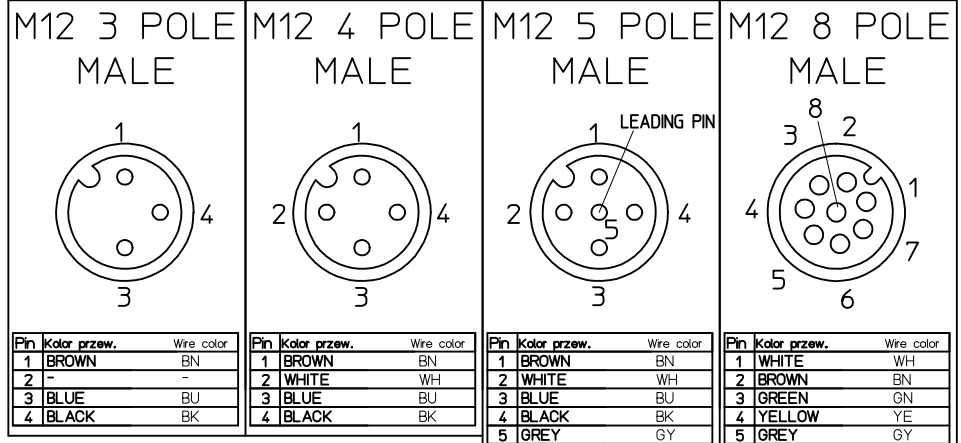
Molex PN	Engineering No.	L [mm]
1200708324	8R4J46E02C040	40
1200705169	8R4J46E03C200	200
1200704002	8R4J46E03C3003	300
1200708121	8R4J46E03M0153	1500
1200708266	8R5J46E02C200	200
1200708205	8R5J46E02C3003	300
1200700234	8R5J46E03C3003	300
1200705181	8R8J46E02C200	200
1200700278	8R8J46E02C3003	300
1200110622	8R8J46E02M0153	1500
1200708073	8R8J46E02M015	1500

BILL OF MATERIALS

ITEM	QTY.	DESCRIPTION	MATERIAL	FINISH
7	-	POTTING MATERIAL	WEVO	-
6	1	O-RING	NBR	-
5	1	LOCKNUT PG9	BRASS	Ni
4	1	SHELL M12x1 PG9	BRASS	Ni
3	1	INSERT 4P/5P/8P BK	ELASTOLLAN	-
2	4/5/8	CONTACT MALE	BRASS	Au
1	-	WIRE 22/24 AWG UL1569	PVC	-
ITEM	QTY.	DESCRIPTION	MATERIAL	FINISH

SYMBOLS THIS DRAWING CONTAINS INFORMATION THAT IS PROPRIETARY TO MOLEX ELECTRONIC TECHNOLOGIES, LLC AND SHOULD NOT BE USED WITHOUT WRITTEN PERMISSION DIMENSION UNITS: mm SCALE: 2:1 GENERAL TOLERANCES (UNLESS SPECIFIED): ANGULAR TOL ± 1.0° 4 PLACES ± 3 PLACES ± 2 PLACES ± 0.05 1 PLACE ± 0.3 0 PLACES ± 0.5 DRAFT WHERE APPLICABLE MUST REMAIN WITHIN DIMENSIONS THIRD ANGLE PROJECTION DRAWING: A3-SIZE SERIES: 120070	CURRENT REV DESC: EC NO: 617554 DRWN: MKOWALCZYK01 2019/05/20 CHK'D: DSTACHOWIAK 2019/05/20 APPR: DSTACHOWIAK 2019/05/20 INITIAL REVISION: DRWN: KKALICIAK 2016/09/09 APPR: MIWASIECZKO 2016/11/04	 REC M12 XP AC MA PVC XM PG9 BM PRODUCT CUSTOMER DRAWING DOCUMENT NUMBER: 1200708205 DOC TYPE: PSD DOC PART: 000 REVISION: A1 MATERIAL NUMBER: GENERAL MARKET CUSTOMER: 1 OF 1
	DOCUMENT STATUS: P1 RELEASE DATE: 2019/05/20 10:07:15	SHEET NUMBER: 1 OF 1

FACE VIEW



Pin	Kolor przew.	Wire color
1	BROWN	BN
2	-	-
3	BLUE	BU
4	BLACK	BK

Pin	Kolor przew.	Wire color
1	BROWN	BN
2	WHITE	WH
3	BLUE	BU
4	BLACK	BK

Pin	Kolor przew.	Wire color
1	BROWN	BN
2	WHITE	WH
3	BLUE	BU
4	BLACK	BK
5	GREY	GY

Pin	Kolor przew.	Wire color
1	WHITE	WH
2	BROWN	BN
3	GREEN	GN
4	YELLOW	YE
5	GREY	GY
6	PINK	PK
7	BLUE	BU
8	RED	RD

PN KEY / PART No MATRIX

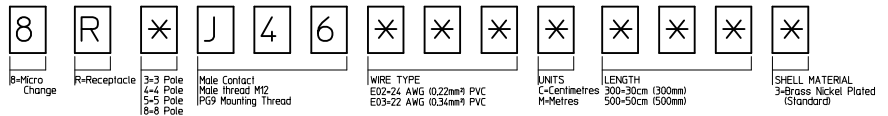
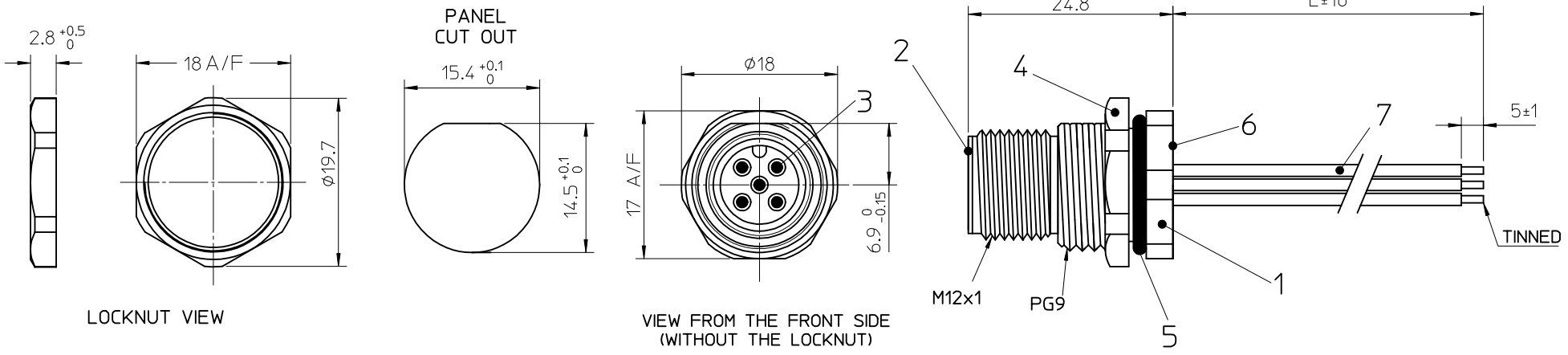


CHART 1

Molex PN	Engineering NO	L [mm]
1200708121	8R4J46E03M0153	1500
1200708205	8R5J46E02C3003	300
1200700234	8R5J46E03C3003	300
1200700278	8R8J46E02C3003	300
1200704002	8R4J46E03C3003	300



BILL OF MATERIAL

ITEM	QTY.	DESCRIPTION	MATERIAL	FINISH
7	-	WIRES	-	-
6	-	POTTING MATERIAL	WEVO	-
5	1	O-RING	NBR	-
4	1	LOCKNUT PG9	BRASS	NICKEL PLATED
3	-	CONTACT	-	-
2	1	M12 MALE INSERT	-	-
1	1	M12x1 PG9 SHELL	BRASS	NICKEL PLATED

<p>K-WAY POSITION CHANGED EC NO: IPG2015-1714 2015/04/02 DRW:FGAIK 2015/04/03 CHKD:JMARSZALEK 2015/04/03 APPR:MIWASIECZKO 2015/05/18</p>	<p>QUALITY SYMBOLS ▽=0 ◻=0</p>	<p>GENERAL TOLERANCES (UNLESS SPECIFIED)</p>		<p>DIMENSION STYLE MM ONLY</p>		<p>SCALE ---</p>	<p>DESIGN UNITS METRIC</p>	<p>THIRD ANGLE PROJECTION</p>			
		<p>4 PLACES ± --- ± ---</p>	<p>3 PLACES ± --- ± ---</p>	<p>2 PLACES ± 0.05 ± ---</p>	<p>1 PLACE ± 0.3 ± ---</p>	<p>0 PLACE ± 0.5 ± ---</p>	<p>DRAWN BY FGAIK</p>	<p>DATE 2014/11/26</p>	<p>TITLE REC M12 XP MA AC PG9 BM XM PVC</p>		
		<p>ANGULAR ± 1 °</p>					<p>CHECKED BY JMARSZALEK</p>	<p>DATE 2015/02/09</p>	<p>molex</p>		
		<p>DRAFT WHERE APPLICABLE MUST REMAIN WITHIN DIMENSIONS</p>					<p>APPROVED BY MIWASIECZKO</p>	<p>DATE 2015/02/16</p>			