


## Coupler connector - RC-12P2N1290EQ - 1597980

Please be informed that the data shown in this PDF Document is generated from our Online Catalog. Please find the complete data in the user's documentation. Our General Terms of Use for Downloads are valid (<http://phoenixcontact.com/download>)

Coupling connector, straight, shielded: yes, Screw locking, M23, No. of pos.: 12, type of contact: Pin, Solder connection, cable diameter range: 3 mm ... 10.5 mm



### Key Commercial Data

Packing unit	20 pc
GTIN	 4 046356 218801
GTIN	4046356218801

### Technical data

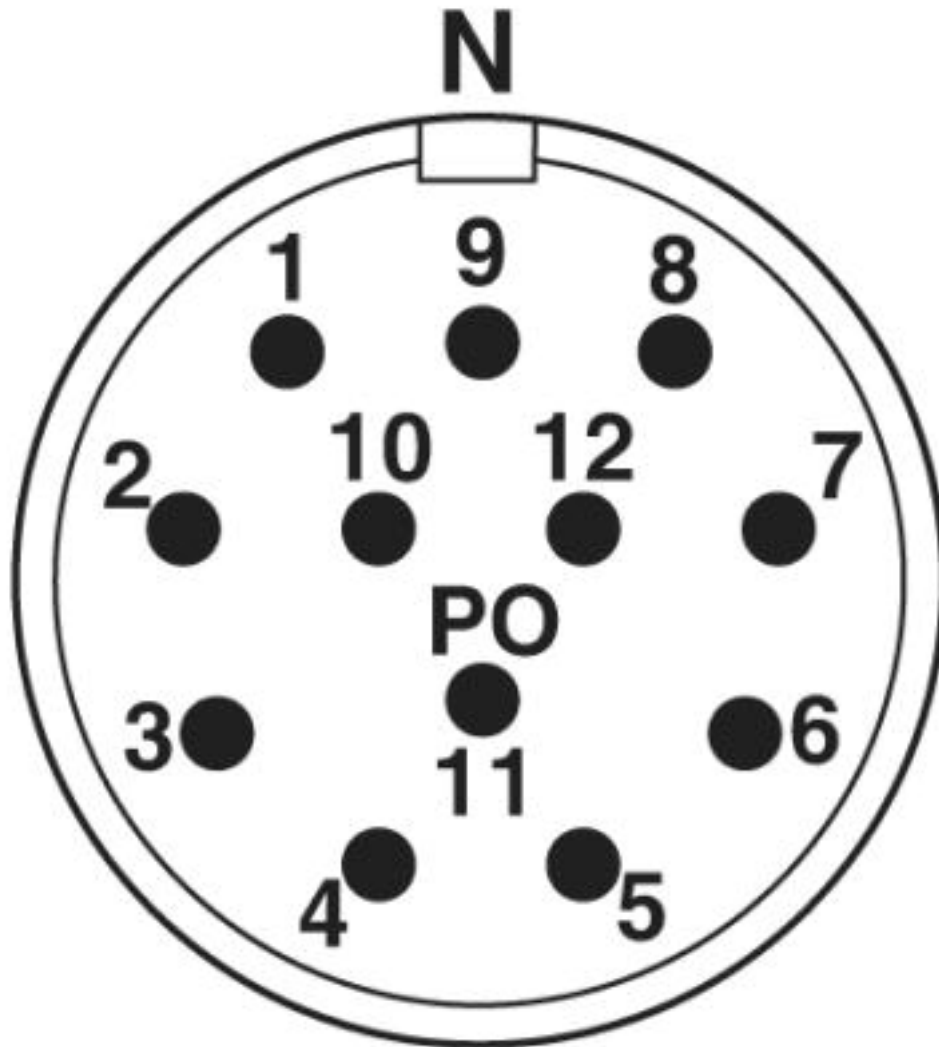
#### Environmental Product Compliance

China RoHS	Environmentally Friendly Use Period = 50
	For details about hazardous substances go to tab "Downloads", Category "Manufacturer's declaration"

### Drawings

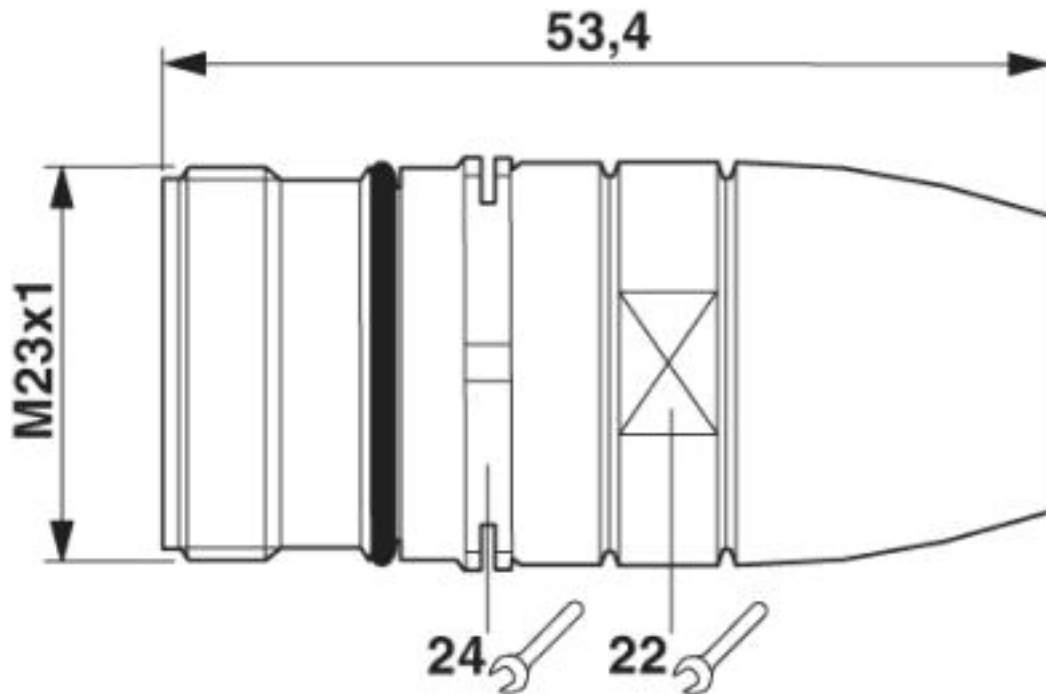
# Coupler connector - RC-12P2N1290EQ - 1597980

Schematic diagram



## Coupler connector - RC-12P2N1290EQ - 1597980

Dimensional drawing



Phoenix Contact 2019 © - all rights reserved  
<http://www.phoenixcontact.com>

PHOENIX CONTACT GmbH & Co. KG  
Flachsmarktstr. 8  
32825 Blomberg  
Germany  
Tel. +49 5235 300  
Fax +49 5235 3 41200  
<http://www.phoenixcontact.com>