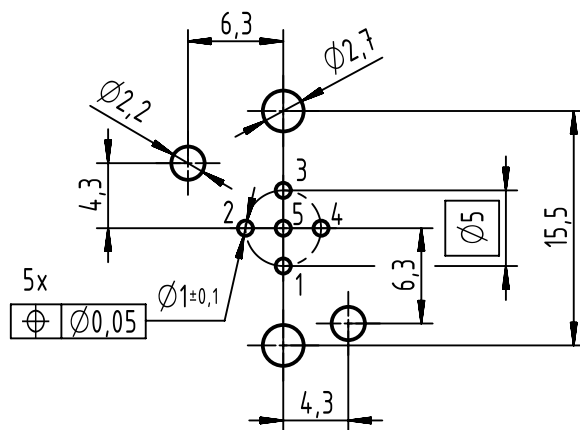
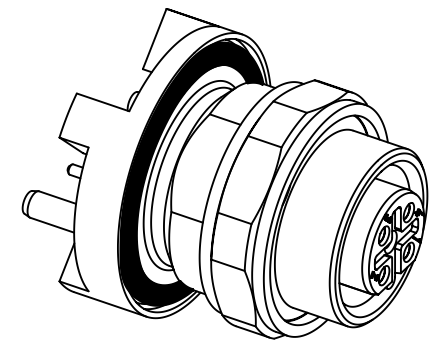
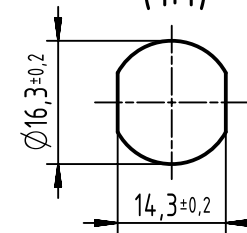


PCB layout



panel cut out
(1:1)



1 top surface PCB

recommended PCB-thickness: 1.6mm

	All rights reserved Department EC PD - DE	All Dimensions in mm Original Size DIN A4		Scale 2:1	Free size tol.	Ref. Sub. TB 21033412505 / Mod. EC04068 / 2011-11-16	
		Created by HASSE	Inspected by EISFELD	Standardisation HOFFMANN	Date 2015-08-31	State Final Release	
HARTING Electronics GmbH D-32339 Espelkamp		Title HARTING M12 PFT B-cod 5-pole female straight IP67				Doc-Key / ECM-Nr. 100215303/UGD/003/B 500000093832	
		Type TB	Number 21033412505			Rev. B	Page 1/1