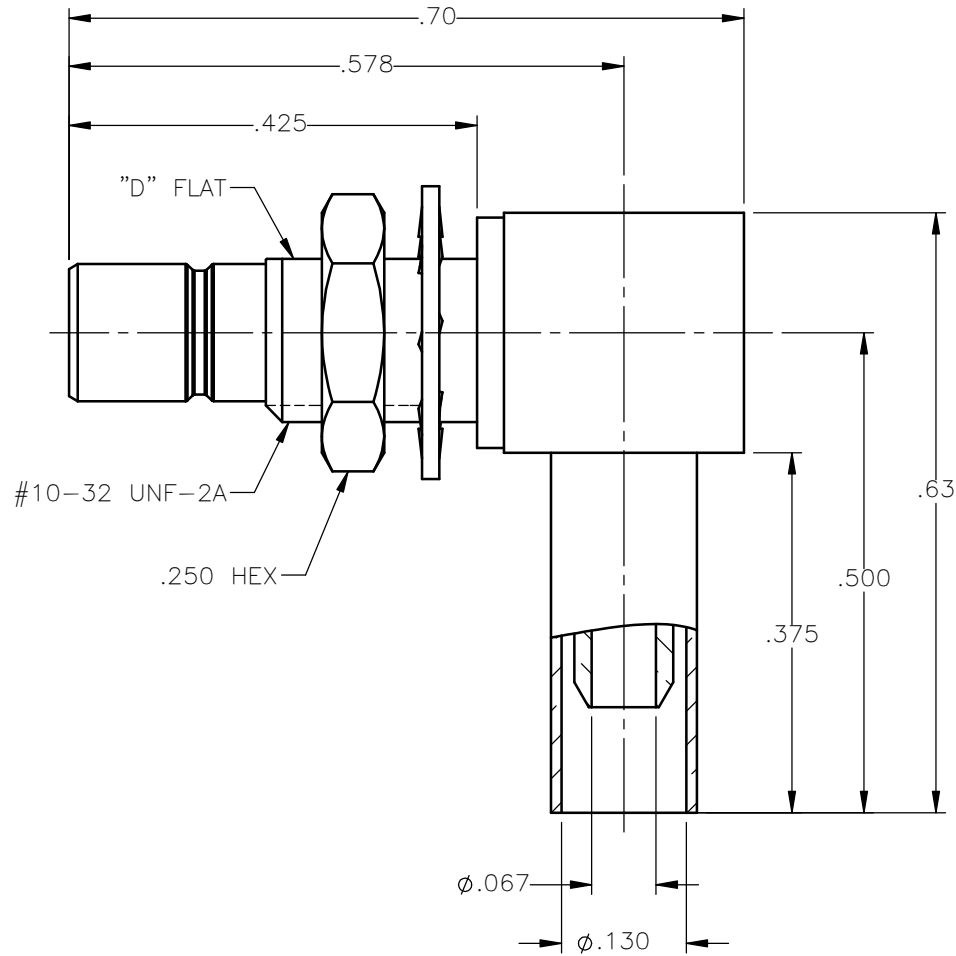
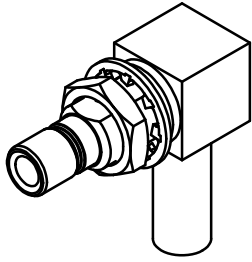


REVISIONS

REV.	DESCRIPTION	DATE	APPROVED
A	INITIAL RELEASE	12/03/15	D.N.



NOTES:

MATERIALS:

1. INSULATORS = VIRGIN WHITE TEFLON PER ASTM D1710, GRADE 1, TYPE I, CLASS "B".
2. CRIMP SLEEVE = SEAMLESS LOWLEAD BRASS TUBE, ALLOY 330, SOFT ANNEAL TEMPER, .025/.060 GRAIN SIZE OR SEAMLESS COPPER TUBE PER ASTM B75, TYPE C12000, TEMPER: LIGHT ANNEAL O50 EXCEPT YIELD STRENGTH.
3. LOCKWASHER = PHOSPHOR BRONZE PER ASTM B139, COPPER ALLOY C53400, TEMPER H04.
4. ALL OTHER METAL PARTS = BRASS PER ASTM B16, ALLOY C36000, TEMPER H02.

FINISHES:

1. CONTACT = GOLD PLATE PER ASTM B488-11, TYPE II, 50µin MIN, GRADE C, OVER 100 TO 200µin STRESS FREE SULFAMATE NICKEL PER AMS-QQ-N-290.
2. ALL OTHER METAL PARTS = GOLD PLATE PER ASTM B488-11, TYPE II, 30µin MIN, GRADE C OVER 100 TO 200µin COPPER STRIKE PER AMS 2418.

UNLESS OTHERWISE SPECIFIED DIMENSIONS ARE IN INCHES TOLERANCES ON

DWN:	DATE
D.N.	12/03/15
CHKD:	DATE
N.D.	12/03/15
APVD:	DATE
J.M.	12/03/15



Property of Radiall  
This document cannot be reproduced or communicated to a third party without prior written permission of RADIALL.



SMB RIGHT ANGLE MALE JACK  
CRIMP TYPE  
FOR RG-316DS & SIMILAR CABLES

REFERENCE:

ORIGINATED: D.N.  
DATE: 12/03/15

MATERIALS & FINISHES:  
SEE NOTES

SIZE	FSCM NO.	DWG NO.	REV
A	19505	2106-1521-019	A
SCALE 5:1		THIRD ANGLE PROJECTION	SHEET 1 OF 1

2106-1521-019