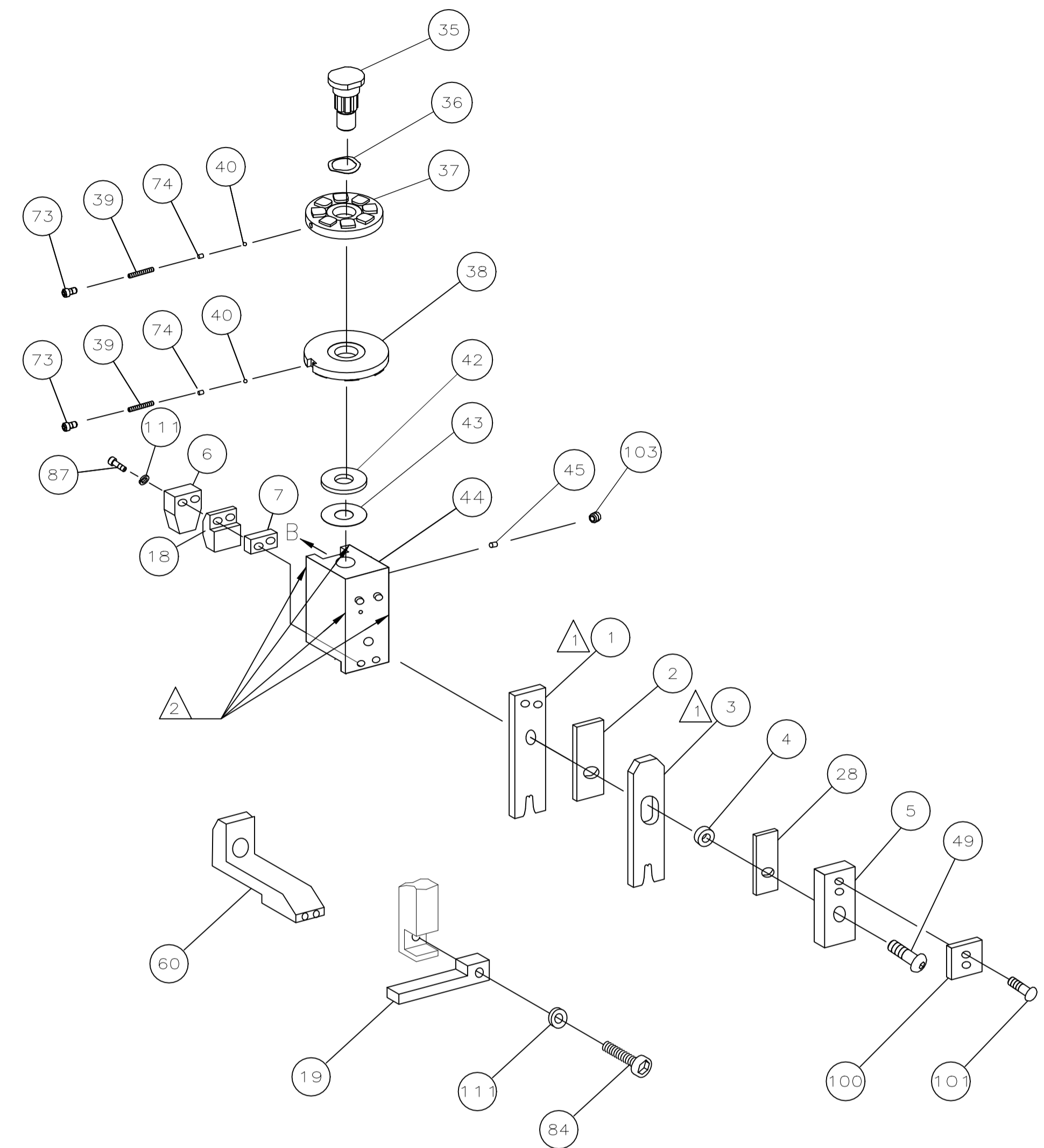
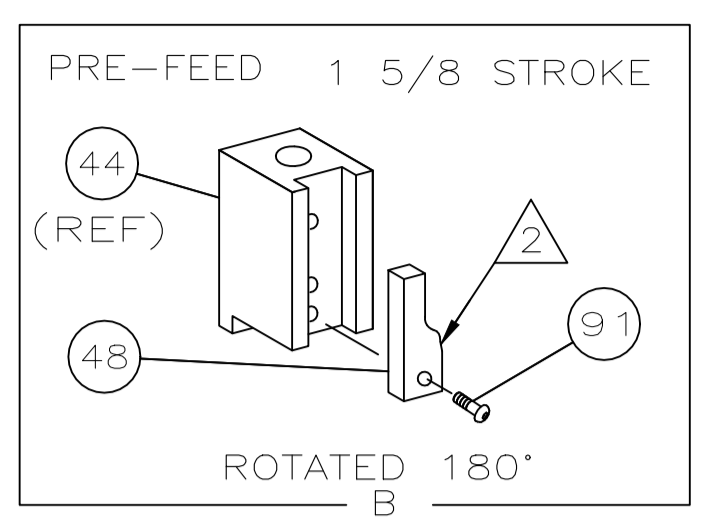
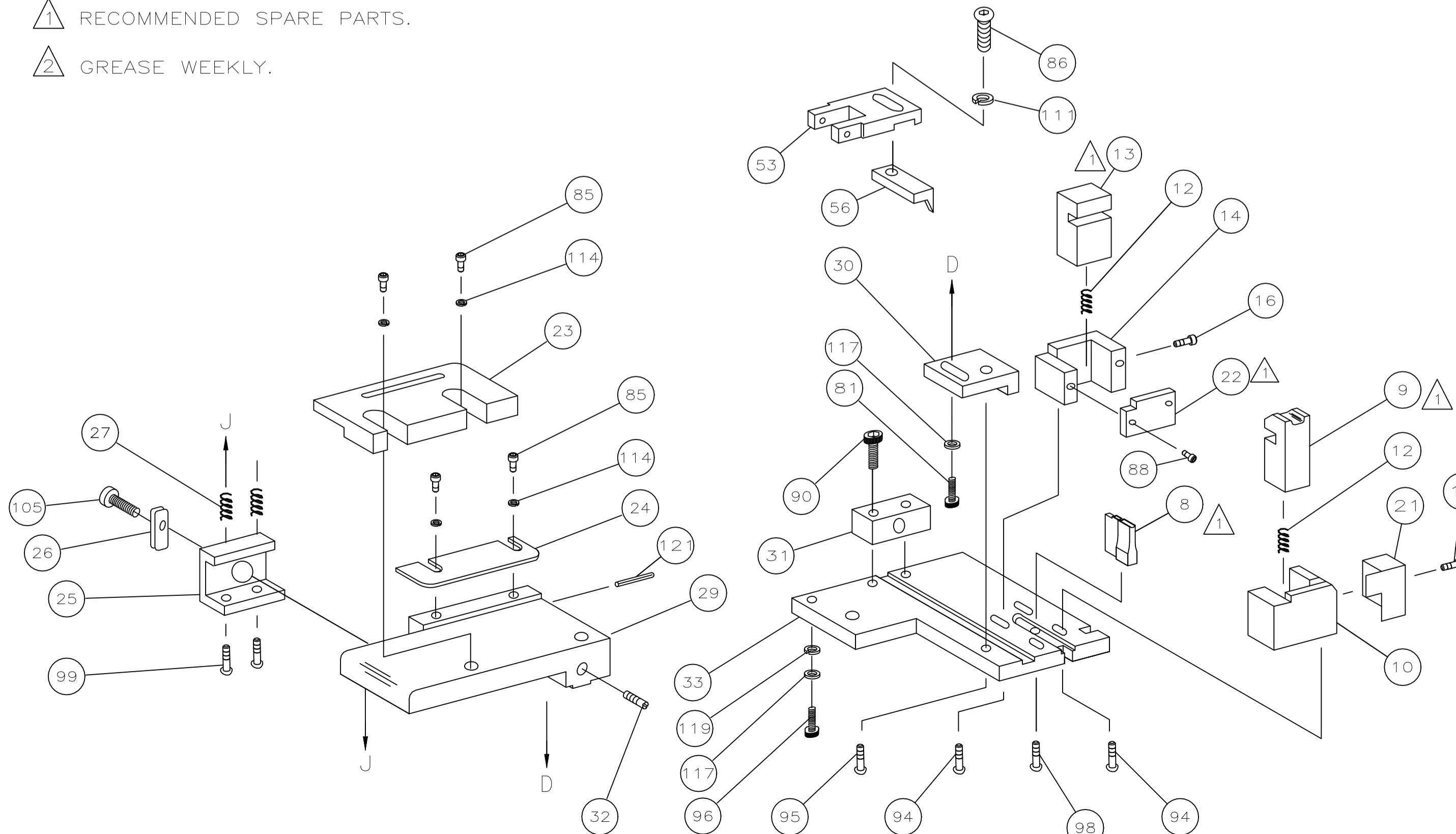


REVISIONS					
P	LTR	DESCRIPTION	DATE	DRN	APPO
N	REVISED PER	ECR-21-006200	10JUN2021	GK	TE



NOTES:  
 ▲ RECOMMENDED SPARE PARTS.  
 ▲ GREASE WEEKLY.



QTY	PART NO	DESCRIPTION	ITEM NO
1	4-21028-0	PIN,SLT SPR(.093φx.75)ST GUIDE PL	124
			123
			122
1	21899-2	WASHER,FLAT(NO.10) S.G. ADJ. BLOCK	120
			119
			118
2	21024-5	WASHER,LOCK(NO.10)ADJ BLOCK	117
			116
			115
4	21024-2	WASHER,LOCK(NO.4)FRONT STRIP GUIDE	114
			113
2	21024-4	WASHER,LOCK(NO.8)DEPRESSOR	112
REF	21024-4	WASHER,LOCK(NO.8)STRIPPER	111
			110
			109
			108
			107
			106
1	21989-8	SCREW,SOCKET HEAD SHLD	105
			104
1	21009-2	SCR,SKT SET(1/4-20x.25LOC-WEL)RAM	103
			102
2	21017-1	SCR, DRIVE (#2 x .125)	101
1	819347-1	PLATE, ID	100
2	5-21006-6	SCR,SET,10-32 X .75	99
1	22733-8	SCR,BHC(8-32x.38LOC-WEL)ANVIL	98
			97
1	3-21000-8	SCR,SKT CAP(10-32x.88)MOUNTING	96
1	2-21002-7	SCR,BHC(10-32x.50)SG ADJ BLOCK	95
4	2-21002-2	SCR,BHC(8-32x.50)	94
			93
			92
1	1-21002-7	SCR,BHC(6-32x.50)CAM	91
2	2-21000-7	SCR,SKT CAP(8-32x.50)SCR BLOCK	90
			89
2	1-21000-8	SCR,SKT CAP(6-32x.25)R SHEAR PLATE	88
2	2-21000-8	SCR,SKT CAP(8-32x.62)DEPRESSOR	87
1	2-21002-1	SCR,BHC(8-32x.38)FEED FINGER	86
4	1-21000-3	SCR,SKT CAP(4-40x.25)F STRIP GUIDE	85
REF	2-21002-1	SCR,BHC(8-32x.38)STRIPPER	84
			83
			82
1	3-22603-1	SCR,HEX HD(10-32x.38)SG ADJ BL	81
			80
			79
			78
2	463310-7	BLADE, STRIPPING (#24)	77
			76
			75
2	690603-1	SPRING, ASSIST	74
2	23030-1	SCR,SKT CAP(6-32x.25)CP DISC	73
			72
			71
			70
			69
			68
			67
			66
			65
			64
			63
			62
			61
			60
REF	469484-2	STOP, WIRE	59
			58
			57
			56
			55
			54
			53
			52
			51
			50
			49
			48
			47
			46
			45
			44
			43
			42
			41
			40
			39
			38
			37
			36
			35
			34
			33
			32
			31
			30
			29
			28
			27
			26
			25
			24
			23
			22
			21
			20
			19
			18
			17
			16
			15
			14
			13
			12
			11
			10
			9
			8
			7
			6
			5
			4
			3
			2
			1

QTY	PART NO	DESCRIPTION	ITEM NO
			83
			82
			81
			80
			79
			78
			77
			76
			75
2	690603-1	SPRING, ASSIST	74
2	23030-1	SCR,SKT CAP(6-32x.25)CP DISC	73
			72
			71
			70
			69
			68
			67
			66
			65
			64
			63
			62
			61
			60
REF	469484-2	STOP, WIRE	59

REMARKS		NO	REV
APPL USED ON MACHINE PART NO		TO APPLY TERMINAL SPEC 114-25038	
CUSTOMER NAME	MACH SERIAL NO	DISTRIBUTION	
ADDRESS	APPL SERIAL NO	ORIGINAL	
CITY	PURCHASE ORDER	CUSTOMER COPY	
	ENG APP	FIELD ENG COPY	

QTY	PART NO	DESCRIPTION	ITEM NO
			65
			64
			63
			62
			61
			60
			59
			58
			57
			56
			55
			54
			53
			52
			51
			50
			49
			48
			47
			46
			45
			44
			43
			42
			41
			40
			39
			38
			37
			36
			35
			34
			33
			32
			31
			30
			29
			28
			27
			26
			25
			24
			23
			22
			21
			20
			19
			18
			17
			16
			15
			14
			13
			12
			11
			10
			9
			8
			7
			6
			5
			4
			3
			2
			1

THIS DRAWING IS A CONTROLLED DOCUMENT.

DIMENSIONS: INCHES

TOLERANCES UNLESS OTHERWISE SPECIFIED:

0. PLC	± .005
1. PLC	± .005
2. PLC	± .005
3. PLC	± .005
4. PLC	± .005
ANGLES	± .005

MATERIAL: - FINISH: -

APPROVED: J. HERRINGTON 9/29/88

TE Connectivity

AMPOMATIC STRIPPER CRIMPER APPLICATOR SIDE FEED (CRIMP SNAP-IN RECT)

SIZE: A1 CAGE CODE: 00779 DRAWING NO: 466981-1

CUSTOMER DRAWING SCALE: - SHEET: 1 OF 1 REV: N