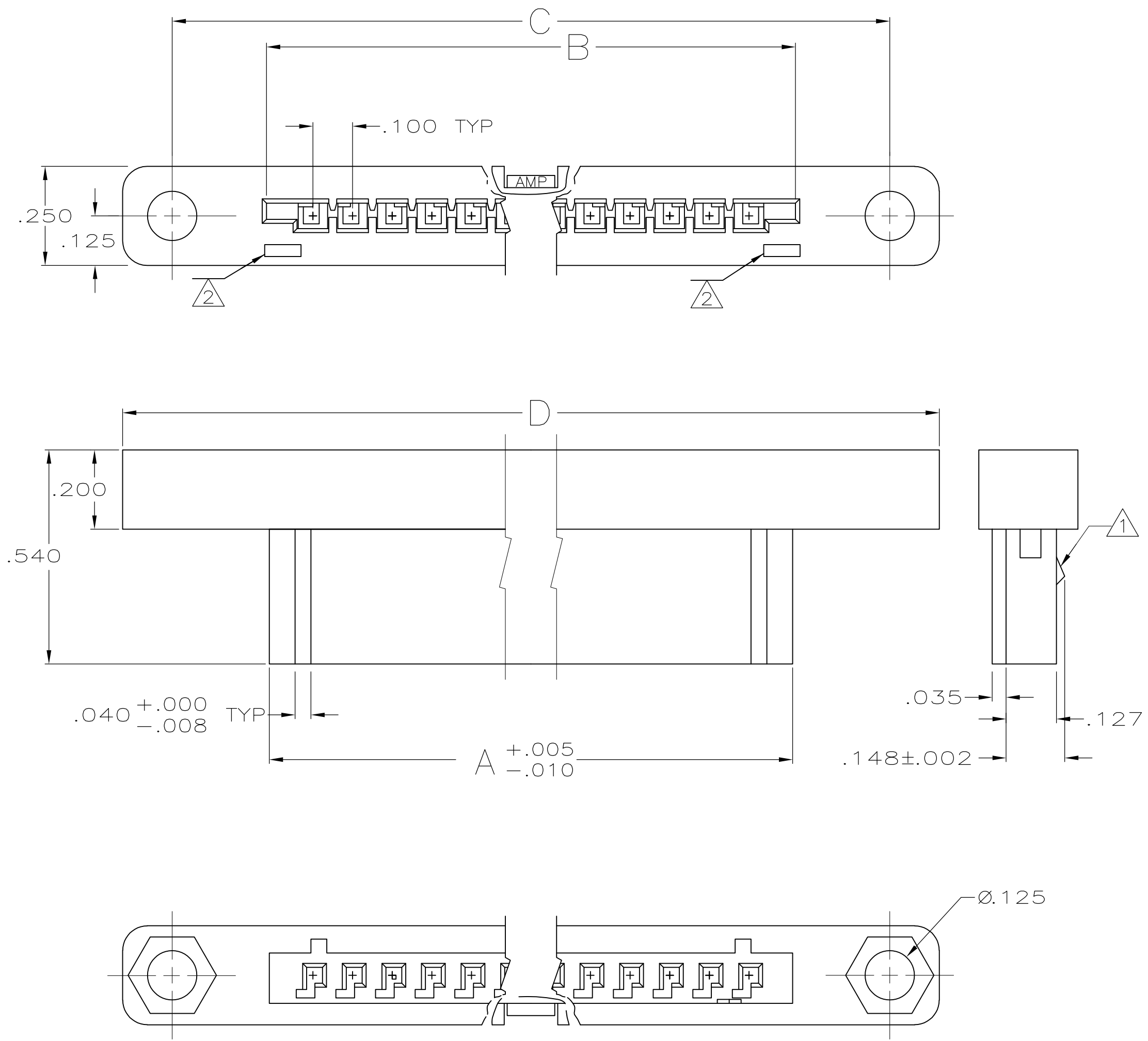


THIS DRAWING IS UNPUBLISHED. RELEASED FOR PUBLICATION
 © COPYRIGHT - By - ALL RIGHTS RESERVED.

Loc	DIST	REVISIONS					
		P	LTR	DESCRIPTION	DATE	DWN	APVD
GP	00	AF2		REVISED PER ECO-13-019961	19DEC2013	RW	WH
		AF1		REVISED PER ECO-09-020932	08SEP09	KK	AEG



D	C	B	A	NO. OF POSN	PART NUMBER
4.260	4.010	3.634	3.520	35	△4 3-485913-3
4.160	3.910	3.534	3.420	34	△4 3-485913-2
4.060	3.810	3.434	3.320	33	△4 3-485913-1
3.960	3.710	3.334	3.220	32	△4 3-485913-0
3.860	3.610	3.234	3.120	31	△4 2-485913-9
3.760	3.510	3.134	3.020	30	△4 2-485913-8
3.660	3.410	3.034	2.920	29	△4 2-485913-7
3.560	3.310	2.934	2.820	28	△4 2-485913-6
3.460	3.210	2.834	2.720	27	△4 2-485913-5
3.360	3.110	2.734	2.620	26	△4 2-485913-4
3.260	3.010	2.634	2.520	25	△4 2-485913-3
3.160	2.910	2.534	2.420	24	△4 2-485913-2
3.060	2.810	2.434	2.320	23	△4 2-485913-1
2.960	2.710	2.334	2.220	22	△4 2-485913-0
2.860	2.610	2.234	2.120	21	△4 1-485913-9
2.760	2.510	2.134	2.020	20	△4 1-485913-8
2.660	2.410	2.034	1.920	19	△4 1-485913-7
2.560	2.310	1.934	1.820	18	△4 1-485913-6
2.460	2.210	1.834	1.720	17	△4 1-485913-5
2.360	2.110	1.734	1.620	16	△4 1-485913-4
2.260	2.010	1.634	1.520	15	1-485913-3
2.160	1.910	1.534	1.420	14	1-485913-2
2.060	1.810	1.434	1.320	13	1-485913-1
1.960	1.710	1.334	1.220	12	1-485913-0
1.860	1.610	1.234	1.120	11	485913-9
1.760	1.510	1.134	1.020	10	485913-8
1.660	1.410	1.034	.920	9	△4 485913-7
1.560	1.310	.934	.820	8	△6 OBSOLETE 485913-6
1.460	1.210	.834	.720	7	△6 OBSOLETE 485913-5
1.360	1.110	.734	.620	6	△6 OBSOLETE 485913-4
1.260	1.010	.634	.520	5	△4 485913-3
1.160	.910	.534	.420	4	△6 OBSOLETE 485913-2
1.060	.810	.434	.320	3	△6 OBSOLETE 485913-1

- △1 AMP TRADEMARK MOLDED IN THIS AREA
- △2 OPTIONAL AREA FOR AMP TRADEMARK (ORIENTATION OPTIONAL)
- △3 INDICATES POSITION 1
- △4 OBSOLETE PART NUMBER.
- △5 POLYESTER, GLASS FILLED, COLOR: BLACK.
- △6 OBSOLETE PARTS: OBSOLETE CIS STREAMLINING PER D.RENAUD/D.SINISI

THIS DRAWING IS A CONTROLLED DOCUMENT.

DWN KATE HELM 11-1-89
 CHK D.L.ROCKER 3-2-89

APVD - NAME
 PRODUCT SPEC 108-9024
 APPLICATION SPEC -

MATERIAL △5 FINISH -

WEIGHT -

CUSTOMER DRAWING

TE TE Connectivity

HOUSING,RCPT,W/MTG EARS
 .100

SIZE A2 CAGE CODE 00779 DRAWING NO C=485913 RESTRICTED TO -

SCALE 4:1 SHEET 1 of 1 REV AF2