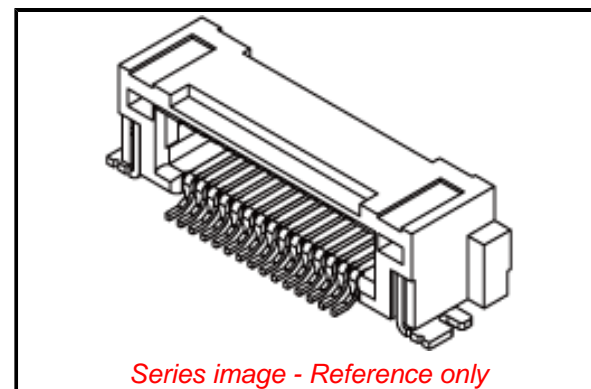


PLEASE CHECK WWW.MOLEX.COM FOR LATEST PART INFORMATION

Part Number: **5033765020**
Status: **Active**
Overview: SlimStack Board-to-Board/Board-to-FPC Connectors
Description: SlimStack Board-to-Board Plug, 0.40mm Pitch, Surface Mount, Dual Row, Right-Angle, without Solder Tabs and Plastic Pegs, 50 Circuits

Documents:

3D Model	Packaging Specification SPK-503376-001-001 (PDF)
Drawing (PDF)	Datasheet (PDF)
3D Model (PDF)	RoHS Certificate of Compliance (PDF)
Product Specification PS-54552-025-001 (PDF)	



General

Product Family	PCB Headers
Series	503376
Application	Board-to-Board, Signal
Overview	SlimStack Board-to-Board/Board-to-FPC Connectors
Product Name	SlimStack
Series Name	0.4, RA
UPC	884982058705

Physical

Breakaway	No
Circuits (Loaded)	50
Circuits (maximum)	50
Color - Resin	Black
Durability (mating cycles max)	30
Glow-Wire Capable	No
Material - Metal	Phosphor Bronze
Material - Plating Mating	Gold
Material - Plating Termination	Gold
Net Weight	173.800/mg
Number of Rows	2
Orientation	Right Angle
PCB Locator	Yes
PCB Retention	Yes
Packaging Type	Embossed Tape on Reel
Pitch - Mating Interface	0.40mm
Pitch - Termination Interface	0.40mm
Temperature Range - Operating	-40° to +105°C
Termination Interface: Style	Surface Mount

Electrical

Current - Maximum per Contact	0.3A
Voltage - Maximum	30V AC (RMS)/DC

Material Info

Reference - Drawing Numbers

Packaging Specification	SPK-503376-001-001
Product Specification	PS-54552-025-001
Sales Drawing	SD-503376-003-001, SD-503376-003-002, SD-503376-004-001, SD-503376-004-002

EU ELV

Not Relevant

EU RoHS

Compliant

REACH SVHC

Not Contained Per -
D(2021)4569-DC (8
July 2021)

Halogen-Free

Status

Low-Halogen

For more information, please visit [Contact US](#)

China ROHS

ELV

RoHS Phthalates

China RoHS

Green Image

Not Relevant

Not Contained

Search Parts in this Series

503376 Series

Mates With

54552 PCB Receptacle