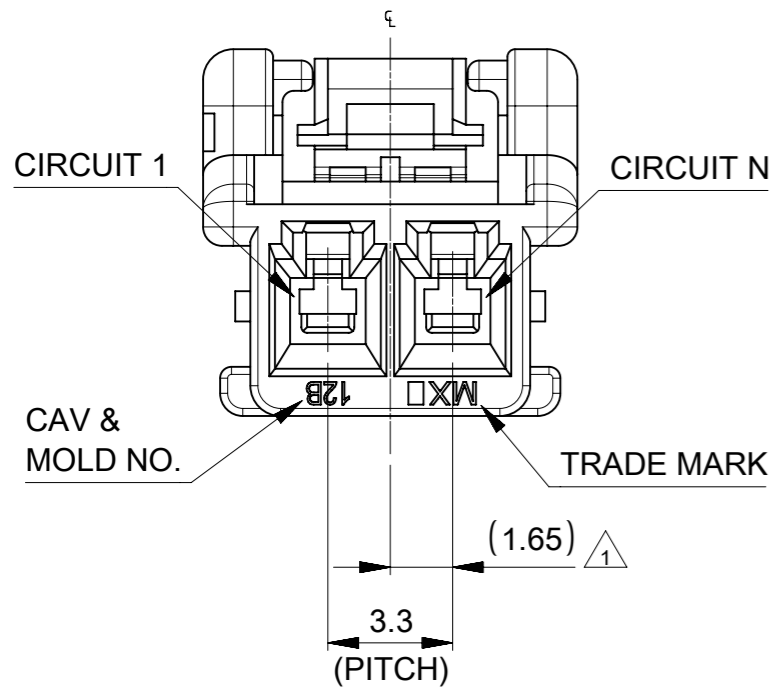
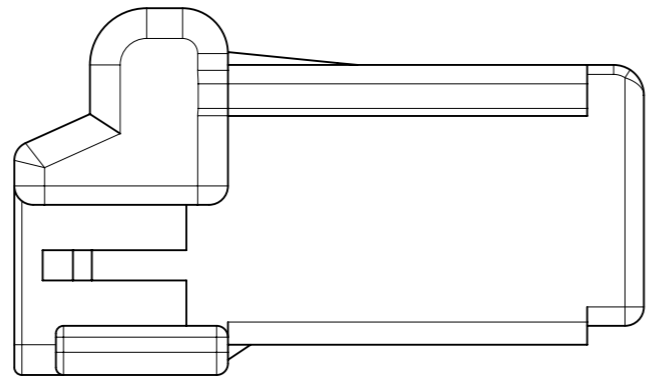
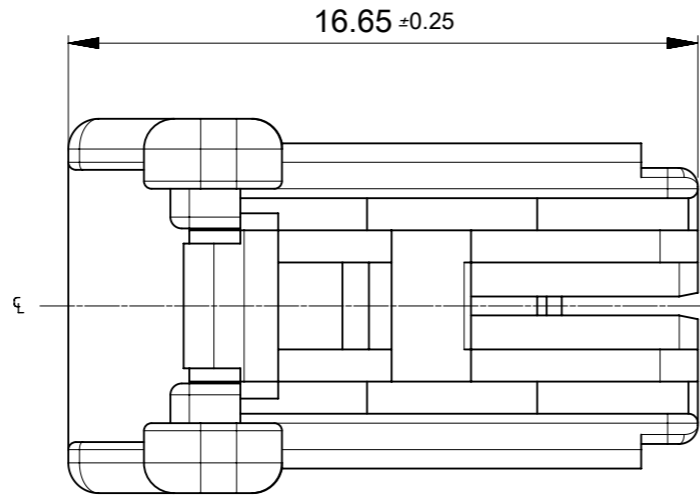
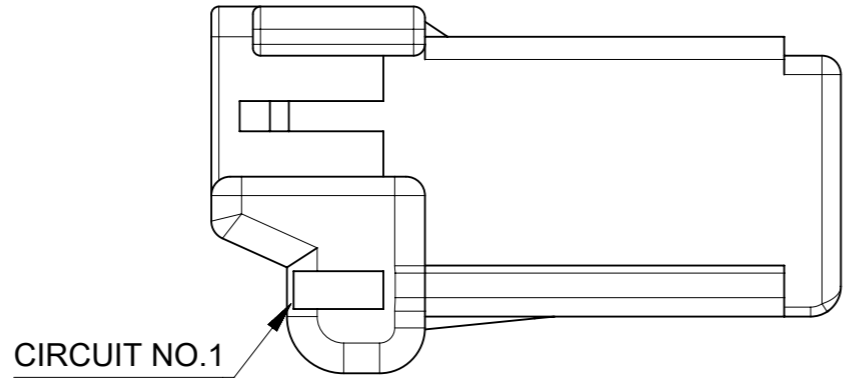
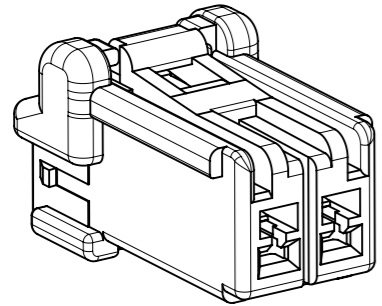


FIGURE OF 5046930200



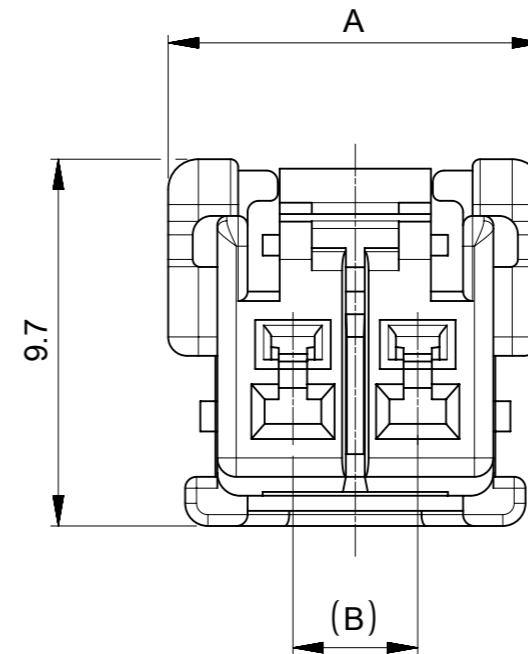
NOTES

- △1 材料：TABLE 1 参照
MATERIAL：SEE TABLE 1
- △2 製品仕様書、アプリケーション仕様書、適応嵌合相手、適応リテーナー、適応ターミナルはSHEET 2を御参照下さい
PLEASE REFER TO SHEET 2 FOR PRODUCT SPECIFICATION, APPLICATION SPECIFICATION, APPLY MATE PARTNER, APPLY RETAINER, APPLY TERMINAL.
- △3 極数/2 = 偶数に適応
APPLY FOR CIRCUIT SIZE / 2 =EVEN
- 4. 本製品のプラスチック部に黒点・白点等が確認される場合や色合いが異なる場合がありますが、製品性能に影響はありません。
THERE IS NO INFLUENCE IN THE PRODUCT PERFORMANCE THOUGH THE BLACK AND WHITE SPOT ETC. MIGHT BE CONFIRMED TO THE PLASTIC PART OF THIS PRODUCT AND THE SHADE MIGHT BE DIFFERENT.
- △5 発注番号：SHEET 3 参照
ORDER No.：PLEASE REFER TO SHEET 3 FOR PRODUCT LIST.

504693 ****

極数
CIRCUIT SIZE

ハウジングカラー HOUSING COLOR	
00:自然色	NATURAL
01:黒	BLACK
02:赤	RED
03:黄	YELLOW
04:青	BLUE
05:桃	PINK
06:緑	GREEN
08:橙	ORANGE
09:紫	VIOLET



16.5	23.1±0.25	6
9.9	16.5±0.25	4
6.6	13.2±0.25	3
3.3	9.9	2
(B)	A	極数 CIRCUIT SIZE

△1 TABLE 1

部品 PART	材料 MATERIAL
ハウジング HOUSING	PBT, UL-94 V-0,色：SEE CHART PBT, UL-94 V-0,COLOR：SEE CHART
DOCUMENT STATUS	P1 RELEASE DATE 2018/11/21 03:00:32

DIMENSION UNITS		SCALE	CURRENT REV DESC:			molex		
mm		5:1	EC NO: 607712			CP3.3 W/W SINGLE ROW REC HOUSING		
GENERAL TOLERANCES (UNLESS SPECIFIED)			DRWN: KYAMADA02 2018/11/14			PRODUCT CUSTOMER DRAWING		
ANGULAR TOL ± 3.0°			CHK'D: SAKIYAMA 2018/11/21			DOCUMENT NUMBER		
4 PLACES ± 0.2			APPR: TKANEKO 2018/11/21			5046930000-SD		
3 PLACES ± 0.2			INITIAL REVISION:			DOC TYPE DOC PART REVISION		
2 PLACES ± 0.2			DRWN: KYAMADA02 2018/11/14			PSD 000 A		
1 PLACE ± 0.2			APPR: TKANEKO 2018/11/21			MATERIAL NUMBER		
0 PLACES ± 0.2			DRAWING			CUSTOMER		
DRAFT WHERE APPLICABLE MUST REMAIN WITHIN DIMENSIONS			THIRD ANGLE PROJECTION			SHEET NUMBER		
			A3-SIZE			504693		
			SERIES			GENERAL		
			SEE CHART			1 OF 3		

△ 2 適応製品及び各種仕様書
 APPLICABLE PRODUCTS AND VARIOUS SPECIFICATIONS

梱包仕様書 PACKING SPECIFICATION	PART NUMBER	SPECIFICATION NUMBER
	504693****	SPK-504693-001

適応端子 APPLY TERMINAL	PART NUMBER	PLATING TYPE	WIRE SIZE(AWG)
	5056070*00	TIN	#18 - #22
	503978*00		#22 - #28

適応嵌合相手 APPLY MATE	TIN PLATING
シリーズ番号 SERIES No.	REC HSG
適応リテーナー APPLY RETAINER	504694
シリーズ番号 SERIES No.	RETAINER
製品仕様書 PRODUCT SPECIFICATION	504695
アプリケーション仕様書 APPLICATION SPECIFICATION	PS-504693-001
	AS-504693-001(JAPANESE)/-002(ENGLISH)

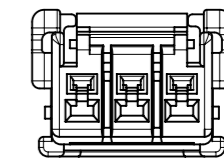
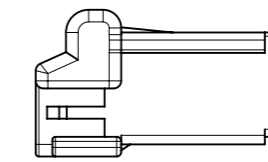


FIGURE OF 3 CIRCUIT

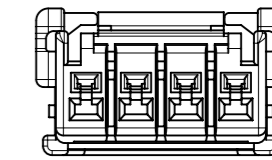
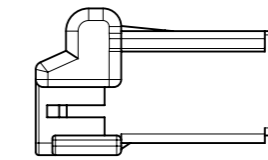


FIGURE OF 4 CIRCUIT

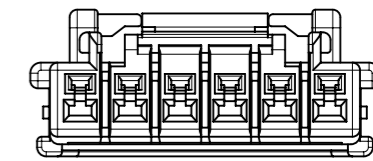
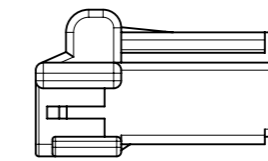
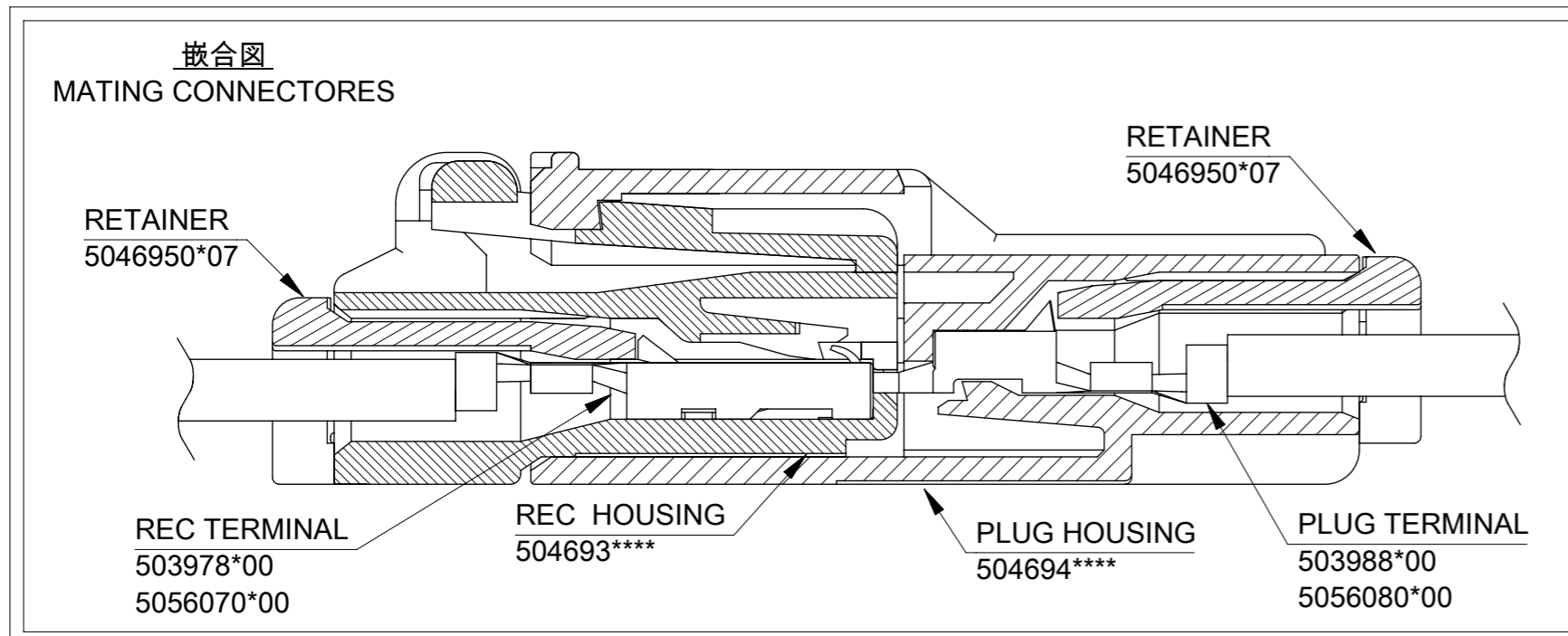


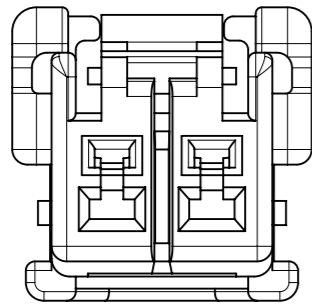
FIGURE OF 6 CIRCUIT



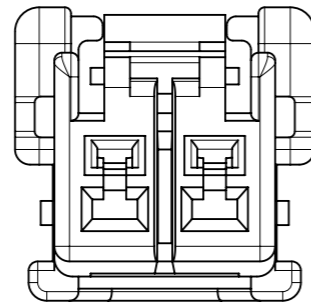
THIS DRAWING CONTAINS INFORMATION THAT IS PROPRIETARY TO MOLEX ELECTRONIC TECHNOLOGIES, LLC AND SHOULD NOT BE USED WITHOUT WRITTEN PERMISSION		CURRENT REV DESC:		molex	
DIMENSION UNITS	SCALE	EC NO: 607712			
mm	2:1	DRWN: KYAMADA02 2018/11/14		PRODUCT CUSTOMER DRAWING	
GENERAL TOLERANCES (UNLESS SPECIFIED)		CHK'D: SAKIYAMA 2018/11/21		DOCUMENT NUMBER	
ANGULAR TOL	± 3.0°	APPR: TKANEKO 2018/11/21		5046930000-SD	
4 PLACES	± 0.2	INITIAL REVISION:		DOC TYPE	
3 PLACES	± 0.2	DRWN: KYAMADA02 2018/11/14		PSD	
2 PLACES	± 0.2	APPR: TKANEKO 2018/11/21		DOC PART	
1 PLACE	± 0.2	MATERIAL NUMBER		000	
0 PLACES	± 0.2	CUSTOMER		A	
DRAFT WHERE APPLICABLE MUST REMAIN WITHIN DIMENSIONS		THIRD ANGLE PROJECTION	DRAWING	SERIES	SHEET NUMBER
			A3-SIZE	504693	2 OF 3

△₅ 製品一覧
PRODUCT LIST

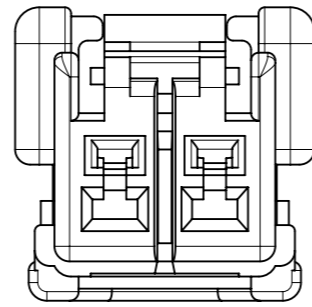
HOUSING COLOR									
VIOLET	ORANGE	GREEN	PINK	BLUE	YELLOW	RED	BLACK	NATURAL	
-	-	-	-	5046930604	5046930603	5046930602	5046930601	5046930600	6
-	-	-	-	5046930404	5046930403	5046930402	5046930401	5046930400	4
-	-	-	-	5046930304	5046930303	5046930302	5046930301	5046930300	3
5046930209	5046930208	5046930206	5046930205	5046930204	5046930203	5046930202	5046930201	5046930200	2
オーダー番号 ORDER No.									極数 CIRCUIT NO.
梱包形態 : ポリ袋 PACKAGING : POLYBAG									



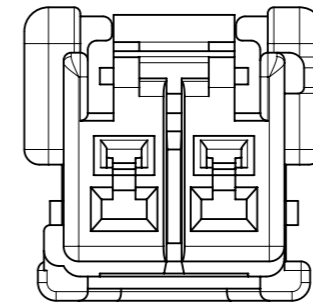
KEY TYPE :1
COLOR :NATURAL
MATERIAL NO. :5046930200



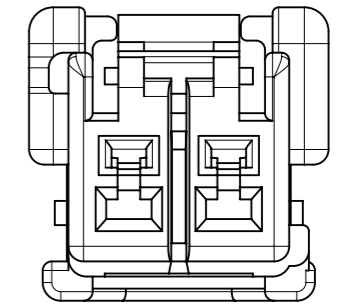
KEY TYPE :2
COLOR :BLACK
MATERIAL NO. :5046930201



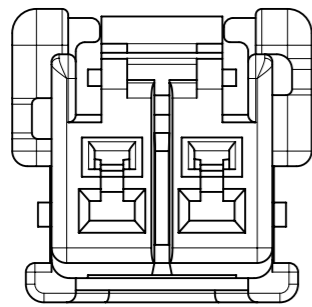
KEY TYPE :3
COLOR :RED
MATERIAL NO. :5046930202



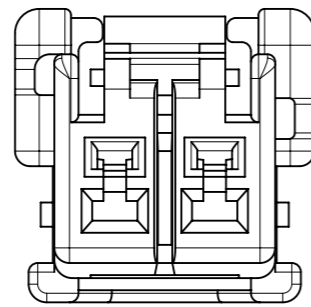
KEY TYPE :4
COLOR :YELLOW
MATERIAL NO. :5046930203



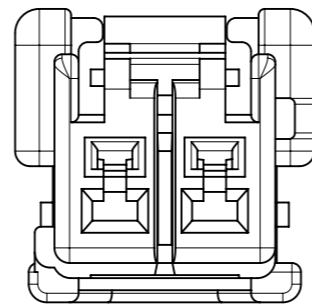
KEY TYPE :5
COLOR :BLUE
MATERIAL NO. :5046930204



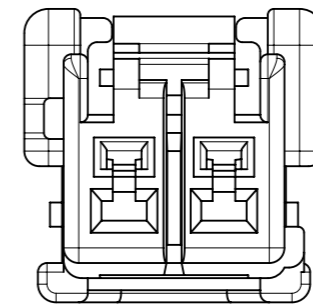
KEY TYPE :6
COLOR :PINK
MATERIAL NO. :5046930205



KEY TYPE :7
COLOR :GREEN
MATERIAL NO. :5046930206



KEY TYPE :8
COLOR :ORANGE
MATERIAL NO. :5046930208



KEY TYPE :9
COLOR :VIOLET
MATERIAL NO. :5046930209

MATING
KEY TYPE & COLOR

FIGURE TO 2 CIRCUIT

THIS DRAWING CONTAINS INFORMATION THAT IS PROPRIETARY TO MOLEX ELECTRONIC TECHNOLOGIES, LLC AND SHOULD NOT BE USED WITHOUT WRITTEN PERMISSION									
DIMENSION UNITS	SCALE	CURRENT REV DESC:							
mm	2:1								
GENERAL TOLERANCES (UNLESS SPECIFIED)		EC NO: 607712			CP3.3 W/W SINGLE ROW REC HOUSING				
ANGULAR TOL	± 3.0 °	DRWN: KYAMADA02 2018/11/14							
4 PLACES	± 0.2	CHK'D: SAKIYAMA 2018/11/21							
3 PLACES	± 0.2	APPR: TKANEKO 2018/11/21							
2 PLACES	± 0.2	INITIAL REVISION:			PRODUCT CUSTOMER DRAWING				
1 PLACE	± 0.2	DRWN: KYAMADA02 2018/11/14			DOCUMENT NUMBER		DOC TYPE	DOC PART	REVISION
0 PLACES	± 0.2	APPR: TKANEKO 2018/11/21			5046930000-SD		PSD	000	A
DRAFT WHERE APPLICABLE MUST REMAIN WITHIN DIMENSIONS		THIRD ANGLE PROJECTION	DRAWING	SERIES	MATERIAL NUMBER	CUSTOMER		SHEET NUMBER	
			A3-SIZE	504693	SEE CHART	GENERAL		3 OF 3	