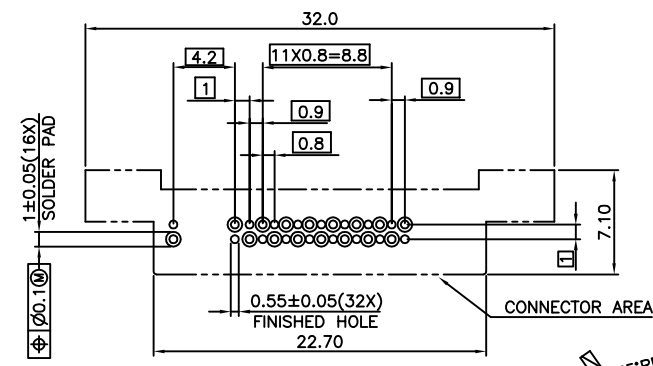
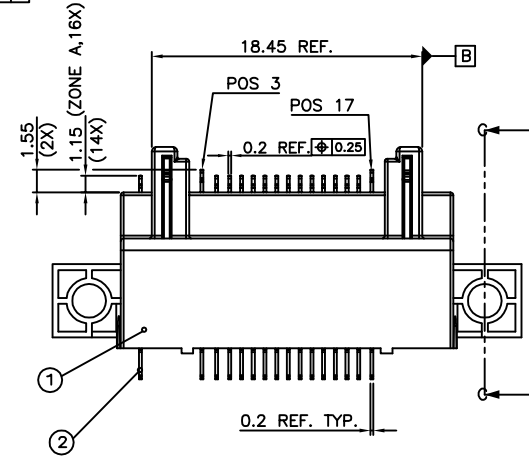
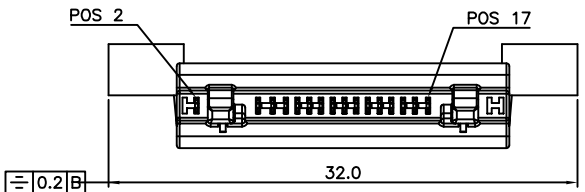
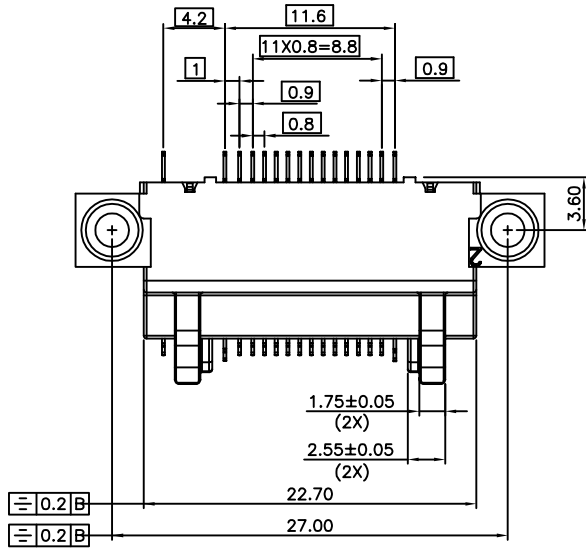
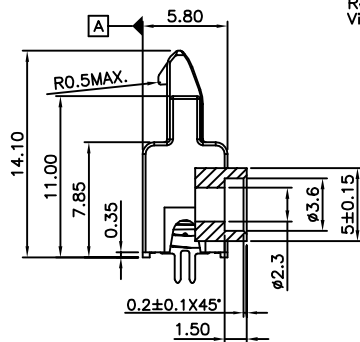




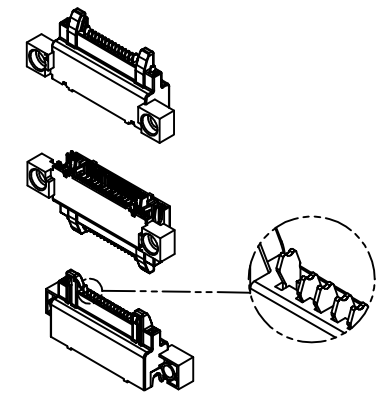
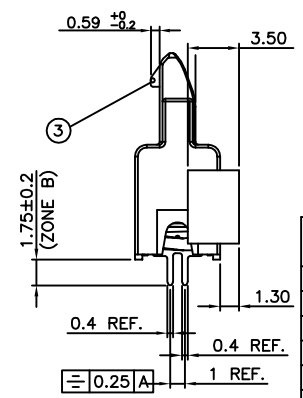
PRODUCT NUMBER	CONTACT NUMBER	COLOR	MATERIAL	REMARK
54059-012-LF	16	GRAY	PBT	WITH LATCH
54059-013-LF	16	BLACK	PBT	WITH LATCH
54059-016-LF	16	BLACK	PA-9T	WITH LATCH
54059-017-LF	16	GRAY	PA-46	WITH LATCH
54059-022-LF	16	GRAY	PA-46	WITHOUT LATCH



Required board layout View on backside



SECTION C-C



SECTION B-B Max. angle to rotate receptacle.

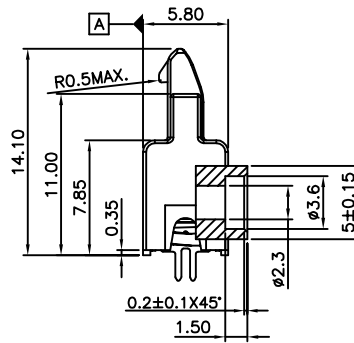
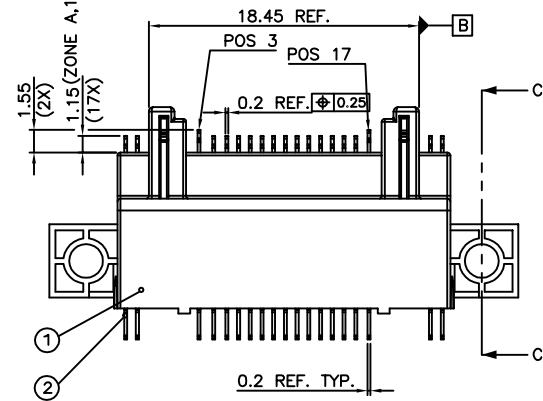
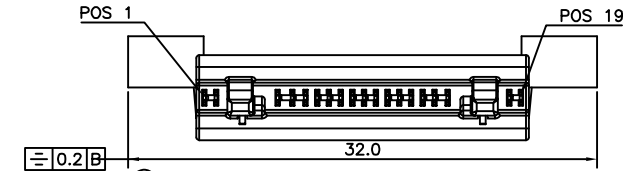
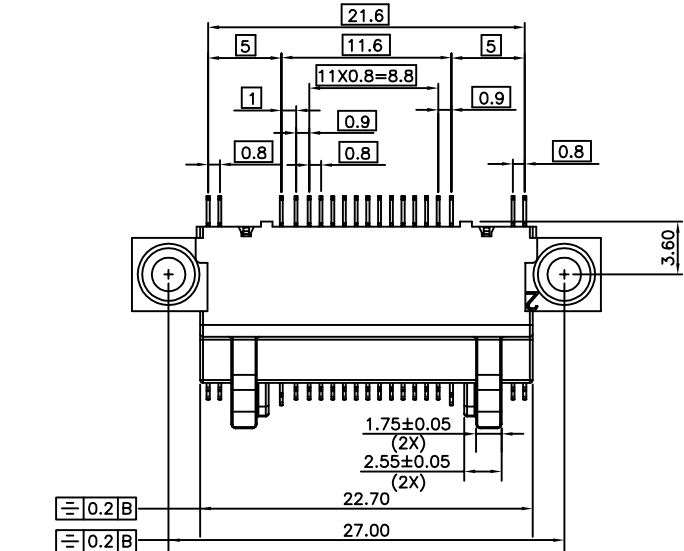
NOTES:

- MATERIAL
  - 1-1 HOUSING: HIGH TEMP. PLASTIC PBT OR PA-46 UL94V-0.
  - 1-2 CONTACT: BERYLLIUM COPPER.
  - 1-3 LATCH: STAINLESS STEEL.
- FINISH
  - 2-1 CONTACT: Ni 1.2um(50u") UNDERPLATED ALL OVER, --ZONE A: 0.8um(30u") GXT. GOLD 0.05um(2u") --ZONE B: Matte pure Tin 2.5um FOR 54059-012-LF,54059-013-LF, 54059-016-LF,54059-017-LF AND 54059-022-LF
- PACKAGE
  - 3-1 PACKAGING SPECIFICATION: GES-14-535, PRODUCT TO BE PACKED IN TRAYS
- Suffix "-LF" means of lead free plating.
- THE HOUSING OF 54059-016-LF AND 54059-017-LF WILL WITHSTAND EXPOSURE TO 260°C TEMPERATURE FOR 10 SECONDS IN A WAVE SOLDER APPLICATION
- 54059-016-LF AND 54059-017-LF MEETS EUROPEAN UNION DIRECTIVES AND OTHER COUNTRY REGULATIONS AS DESCRIBED IN GS-22-008
- LEAD FREE LABEL ON THE CARTON OF 54059-016-LF,54059-017-LF AND 54059-022-LF PER GS-14-920

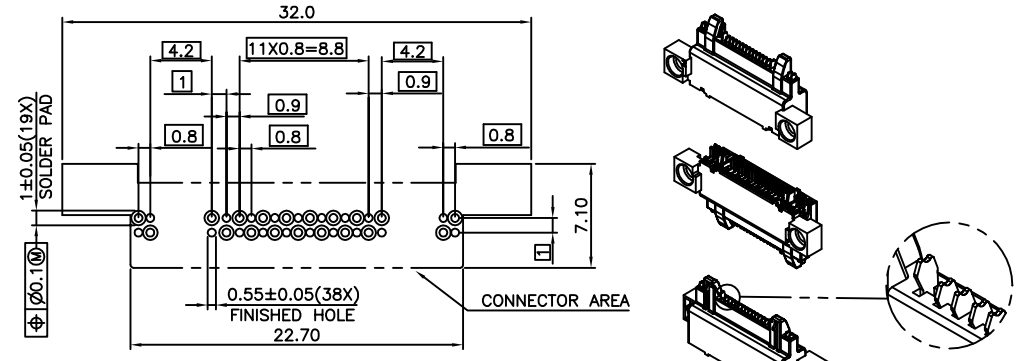
mat'l. code				tolerances unless otherwise specified		CUSTOMER COPY		FCI	
ltr	ecn no	dr	date	linear	.X ± 0.20	projection	www.fciconnect.com		title DESKTOP BLOCK ASSEMBLY
X	DG04-0082	P M	041108	angles	.XX ± 0.10	MM	product family MOBILE I/O code		
AA	DG05-0019	P M	050128			scale	size dwg no		TWN
AB	DG05-0207	P M	050706			1.5:1	A4 54059		sheet
AC	DG05-0250	P M	050727	dr	A.Oppers 991028				1 of 3
AD	DG06-0452	C L	061106	enr	H.Vereijken 991028				
AE	DG06-0509	C L	061222	chr	H.v.d.Steen 991028				
AF	DG08-0088	B L	080410	appd	JOSEPH HSIA 991028				
sheet index	revision	AF	X X						
	sheet	1	2 3						



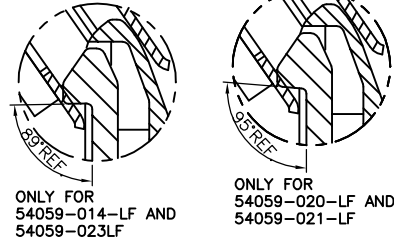
PRODUCT NUMBER	CONTACT NUMBER	COLOR	MATERIAL	REMARK
54059-014-LF	19	BLACK	PBT	LATCH WITH 89° ANGLE
54059-023LF	19	BLACK	PA-9T	LATCH WITH 89° ANGLE
54059-018	19	BLACK	PA-9T	NO LATCH
54059-018-LF	19	BLACK	PA-9T	NO LATCH
54059-019	19	GRAY	PA-46	NO LATCH
54059-019-LF	19	GRAY	PA-46	NO LATCH
54059-020-LF	19	BLACK	PA-9T	LATCH WITH 95° ANGLE
54059-021-LF	19	GRAY	PA-9T	LATCH WITH 95° ANGLE



SECTION C-C



Required board layout View on backside



ONLY FOR 54059-014-LF AND 54059-023LF

ONLY FOR 54059-020-LF AND 54059-021-LF

- NOTES: DETAIL A ( SCALE 2.5 )
- MATERIAL
    - 1-1 Ⓜ HOUSING: HIGH TEMP. PLASTIC PBT OR EQUIVALENT. UL94V-0.
    - 1-2 Ⓜ CONTACT: BERYLLIUM COPPER.
    - 1-3 Ⓜ LATCH: STAINLESS STEEL.
  - FINISH
    - 2-1 CONTACT: Ni 1.2um(50u") UNDERPLATED ALL OVER,
      - ZONE A: 0.8um(30u") GXT. GOLD 0.05um(2u")
      - ZONE B: SnPb 2.5um FOR 54059-018/019 or matte pure Tin2.5um FOR 54059-014-LF,54059-018-LF, 54059-019-LF AND 54059-020-LF
  - PACKAGE
    - 3-1 PACKAGING SPECIFICATION: GES-14-535, PRODUCT TO BE PACKED IN TRAYS
  - SUFFIX "-LF" MEANS OF LEAD FREE PLATING.
  - THE HOUSING OF 54059-018-LF, 54059-019-LF, 54059-020-LF AND 54059-021-LF WILL WITHSTAND EXPOSURE TO 245°C TEMPERATURE FOR 10 SECONDS IN A WAVE SOLDER APPLICATION
  - 54059-018-LF, 54059-019-LF, 54059-020-LF AND 54059-021-LF MEETS EUROPEAN UNION DIRECTIVES AND OTHER COUNTRY REGULATIONS AS DESCRIBED IN GS-22-008
  - LEAD FREE LABEL ON THE CARTON OF 54059-018-LF, 54059-019-LF, 54059-020-LF AND 54059-021-LF PER GS-14-920

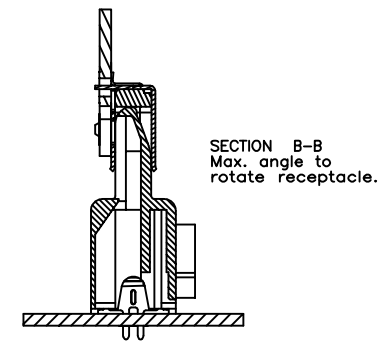
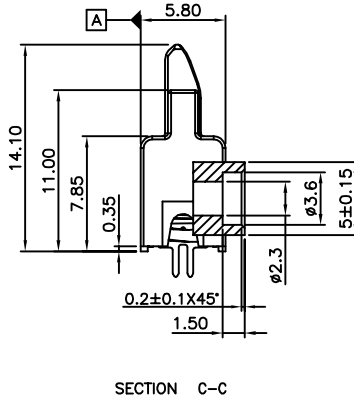
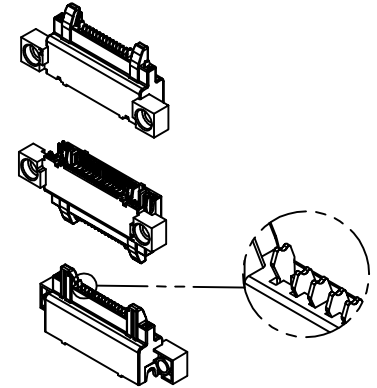
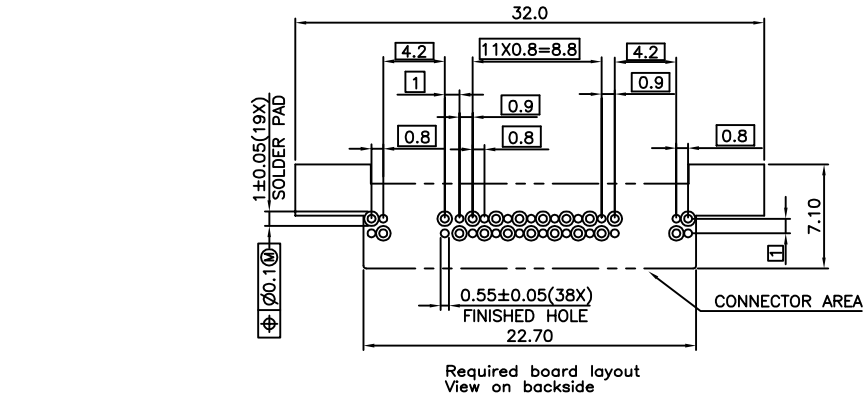
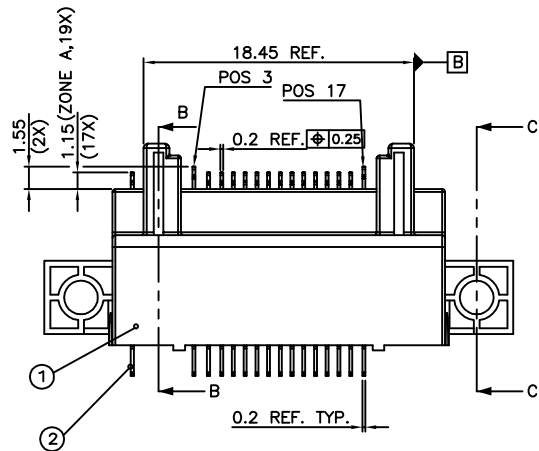
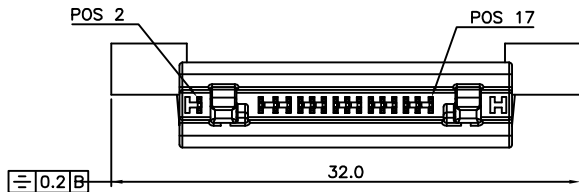
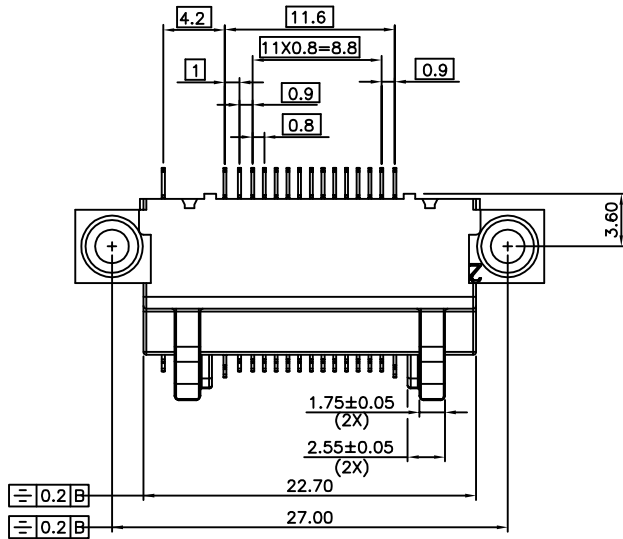
mat'l. code				tolerances unless otherwise specified		CUSTOMER COPY		FCI	
ltr	ecn no	dr	date	linear	.X ± 0.20	projection	www.fciconnect.com		
X				angles	.XX ± 0.10	⊕	title		
				dr	0° ±5'	MM	DESKTOP BLOCK ASSEMBLY		
				enr	A.Oppers 991028	scale	product family	MOBILE I/O	code
				chr	H.Verrijken 991028	1.5:1	size	dwg no	TWN
				appd	H.v.d.Steen 991028		54059		sheet
					JOSEPH HSIA 991028				2 of
sheet index	revision sheet								

Tous droits strictement reserves. Reproduction ou communication a des tiers interdite sous quelque forme que ce soit sans autorisation écrite du propriétaire. Propriete de c FCI. Droits de reproduction FCI.



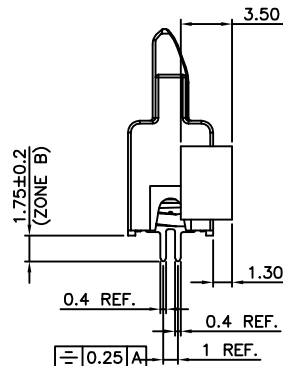
All rights strictly reserved. Reproduction or issue to third parties in any form whatever is not permitted without written authority from the proprietor. Property of FCI. Copyright FCI.

PRODUCT NUMBER	CONTACT NUMBER	COLOR	MATERIAL
54059-015-LF	16	GRAY	PBT



NOTES:

- MATERIAL  
1-1 ① HOUSING: HIGH TEMP. PLASTIC PBT OR EQUIVALENT. UL94V-0  
1-2 ② CONTACT: BERYLLIUM COPPER.
- FINISH  
2-1 CONTACT: Ni 1.2um(50u") UNDERPLATED ALL OVER,  
--ZONE A: 0.8um(30u") GXT. GOLD 0.05um(2u")  
--ZONE B: Matte pure Tin 2.5um(100u")(LF).
- PACKAGE  
3-1 PACKAGING SPECIFICATION: GS-14-535, PRODUCT TO BE PACKED IN TRAYS.
- SUFFIX "-LF" MEANS OF LEAD FREE PLATING.



mat'l. code				tolerances unless otherwise specified			CUSTOMER COPY		 www.fciconnect.com		
ltr	ecn no	dr	date	linear	.X ± 0.20	projection		title			
X				angles	.XX ± 0.10			DESKTOP BLOCK ASSEMBLY			
				dr	A.Oppers 991028	MM		product family	MOBILE I/O	code	
				enr	H.Vereijken 991028	scale		size	dwg no	TWN	
				chr	H.v.d.Steen 991028	1.5:1		54059		sheet	
				appd	JOSEPH HSIA 991028					3 of	
sheet index	revision sheet										