



Pushbutton, 22 mm, round, metal, shiny, black, pushbutton, raised momentary contact type, Z=100-unit packaging

| | |
|---|---|
| product brand name | SIRIUS ACT |
| product designation | Pushbuttons |
| design of the product | Actuating/signaling element |
| product type designation | 3SU1 |
| product line | Metal, shiny, 22 mm |
| Enclosure | |
| number of command points | 1 |
| Actuator | |
| design of the actuating element | Raised button |
| principle of operation of the actuating element | momentary contact type |
| product extension optional | |
| • light source | No |
| • contact module | Yes |
| color of the actuating element | black |
| material of the actuating element | plastic |
| shape of the actuating element | round |
| outer diameter of the actuating element | 29.5 mm |
| Front ring | |
| product component front ring | Yes |
| design of the front ring | Standard |
| material of the front ring | Metal, high gloss |
| color of the front ring | silver |
| General technical data | |
| protection class IP | IP66, IP67, IP69(IP69K) |
| degree of protection NEMA rating | 1, 2, 3, 3R, 4, 4X, 12, 13 |
| shock resistance | |
| • acc. to IEC 60068-2-27 | Sinusoidal half-wave 50g / 11 ms |
| vibration resistance | |
| • acc. to IEC 60068-2-6 | 10 ... 500 Hz: 5g |
| operating frequency maximum | 3 600 1/h |
| mechanical service life (switching cycles) typical | 10 000 000 |
| reference code acc. to IEC 81346-2 | S |
| Ambient conditions | |
| • ambient temperature during operation | -25 ... +70 °C |
| • ambient temperature during storage | -40 ... +80 °C |
| environmental category during operation acc. to IEC 60721 | 3M6, 3S2, 3B2, 3C3, 3K6 (with relative air humidity of 10 ... 95 %) |

| Installation/ mounting/ dimensions | |
|---|---------|
| height | 29.5 mm |
| width | 29.5 mm |
| shape of the installation opening | round |
| mounting diameter | 22.3 mm |
| positive tolerance of installation diameter | 0.4 mm |
| mounting height | 16.2 mm |
| installation width | 29.5 mm |
| installation depth | 24.3 mm |
| Certificates/ approvals | |
| Further information | |

Information- and Downloadcenter (Catalogs, Brochures,...)

<https://www.siemens.com/ic10>

Industry Mall (Online ordering system)

<https://mall.industry.siemens.com/mall/en/en/Catalog/product?mfb=3SU1050-0BB10-0AA0-Z X90>

Cax online generator

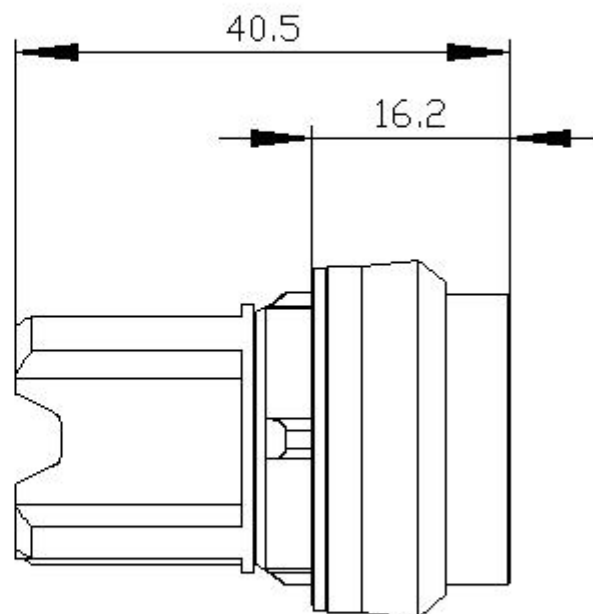
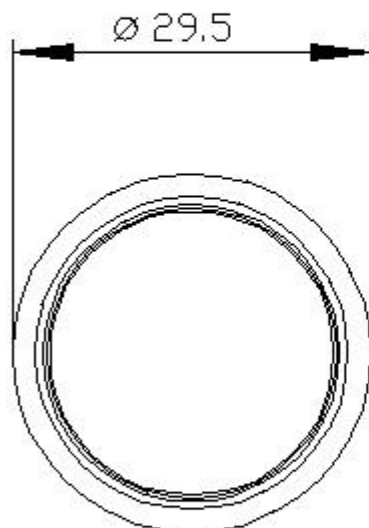
<http://support.automation.siemens.com/WW/CAXorder/default.aspx?lang=en&mfb=3SU1050-0BB10-0AA0-Z X90>

Service&Support (Manuals, Certificates, Characteristics, FAQs,...)

<https://support.industry.siemens.com/cs/ww/en/ps/3SU1050-0BB10-0AA0-Z X90>

Image database (product images, 2D dimension drawings, 3D models, device circuit diagrams, EPLAN macros, ...)

http://www.automation.siemens.com/bilddb/cax_de.aspx?mfb=3SU1050-0BB10-0AA0-Z X90&lang=en



last modified:

12/19/2020 