

THE INFORMATION CONTAINED HEREIN IS CONSIDERED "PROPRIETARY" TO BEL FUSE INC. AND SHALL NOT BE COPIED, REPRODUCED OR DISCLOSED WITHOUT THE WRITTEN APPROVAL OF BEL FUSE INC.

RoHS



LED1 POLARITY			LED2 POLARITY			
PIN 13	PIN 14	COLOR	PIN 15	PIN 16	PIN 17	COLOR
-	+	YELLOW	-	+	-	GREEN
			-	+	-	ORANGE

ELECTRICAL CHARACTERISTICS @ 25°C

URNS RATIO

TP1	1CT : 1CT ±2%
TP2	1CT : 1CT ±2%
TP3	1CT : 1CT ±2%
TP4	1CT : 1CT ±2%

DCL @ 100kHz/100mVRMS

8mA DC BIAS (0-70°C) 350µH MIN.

INS. LOSS

0.1MHz TO 1MHz	-1.1 dB MAX
1MHz TO 65MHz	-0.5 dB MAX
65MHz TO 100MHz	-0.8 dB MAX
100MHz TO 125MHz	-1.2 dB MAX

RET. LOSS (MIN) @ 100 OHMS +/-15%

0.5MHz-40MHz	-18 dB
40MHz-100MHz	-12+20LOG(f/80MHz) dB

CM TO CM REJ

100kHz - 100MHz -30 dB MIN

CM TO DM REJ

100kHz - 100MHz -35 dB MIN

HIPOT (Isolation Voltage):

1500 Vrms

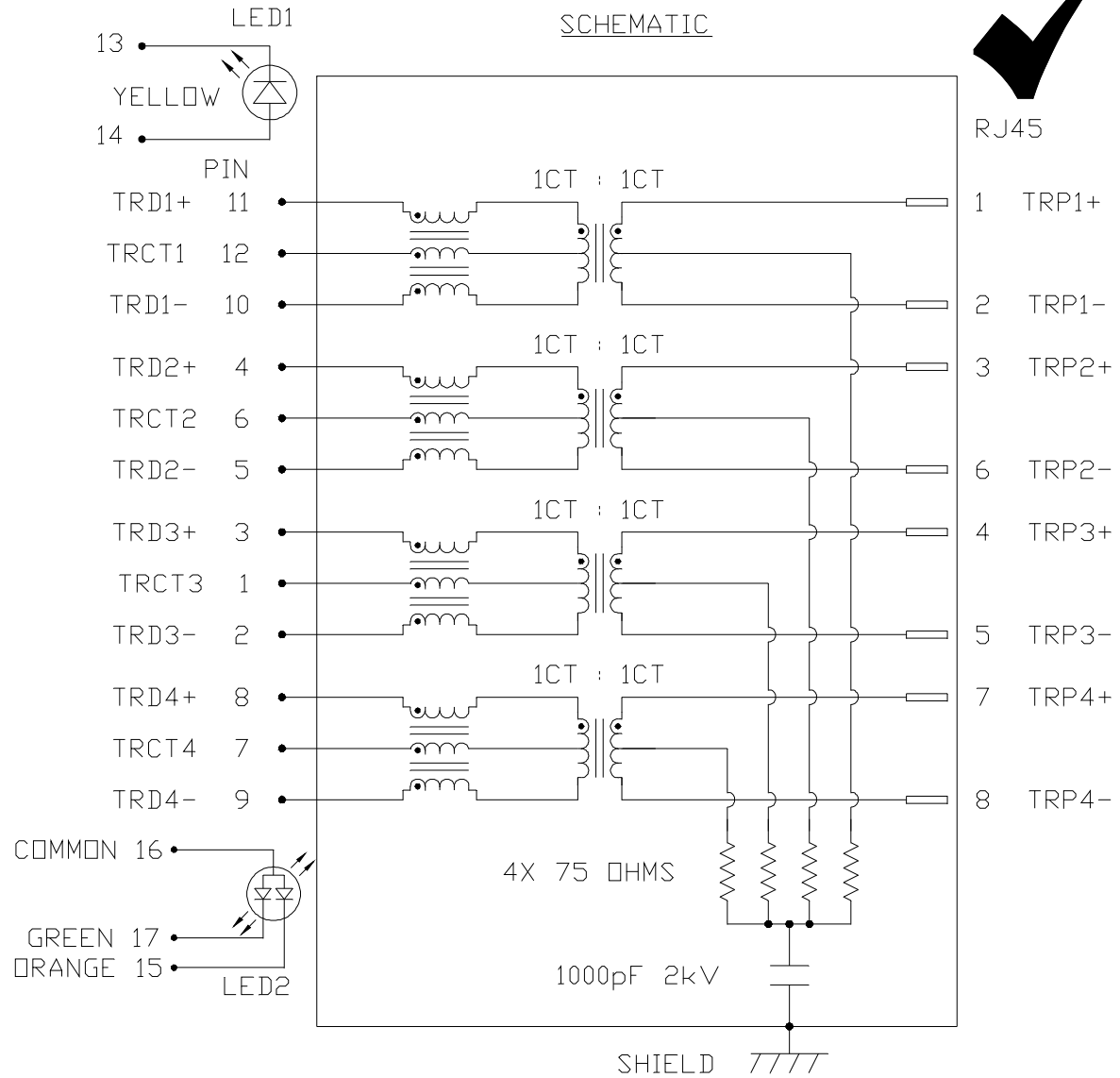
100% OF PRODUCTION TESTED TO COMPLY WITH IEEE 802.3 ISOLATION REQUIREMENTS.

LED 1

VF (FORWARD VOLTAGE) IF=20mA YELLOW 2.1V TYP.  
 λD (DOMINANT WAVELENGTH) IF=20mA YELLOW 590nm TYP.

LED 2

VF (FORWARD VOLTAGE) IF=20mA GREEN 2.2V TYP.  
 ORANGE 2.0V TYP.  
 λD (DOMINANT WAVELENGTH) IF=20mA GREEN 570nm TYP.  
 ORANGE 605nm TYP.



REV. : B PAGE : 2

ORIGINATED BY  
 CHOW WANCHUNG  
 DATE 2015-01-02  
 DRAWN BY  
 HU XIANG  
 DATE 2015-01-02

TITLE  
 gigabit MagJack®  
 (Ultra Low Profile)  
 PATENTED

PART NO. / DRAWING NO.  
 L829-1JX1-43  
 FILE NAME  
 L829-1JX1-43\_B.DWG

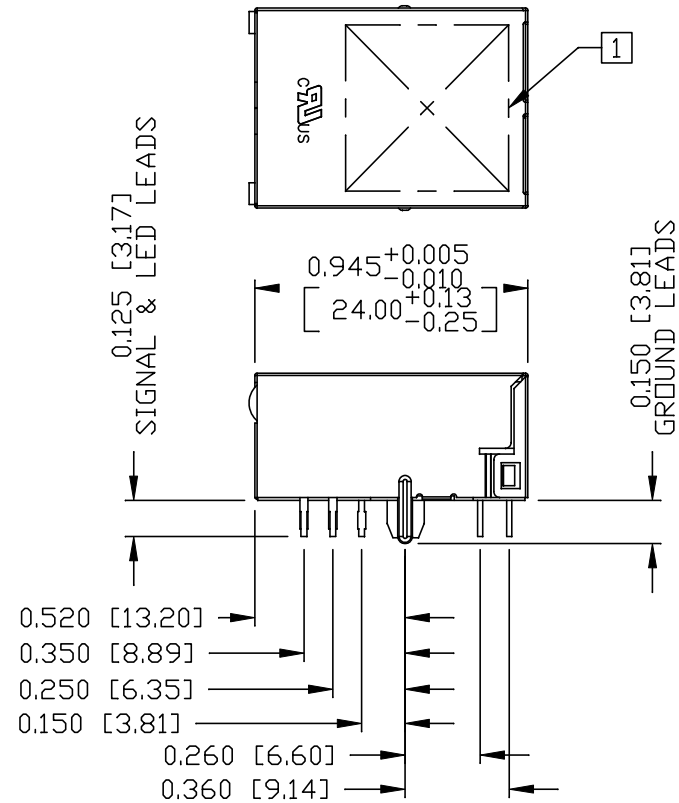
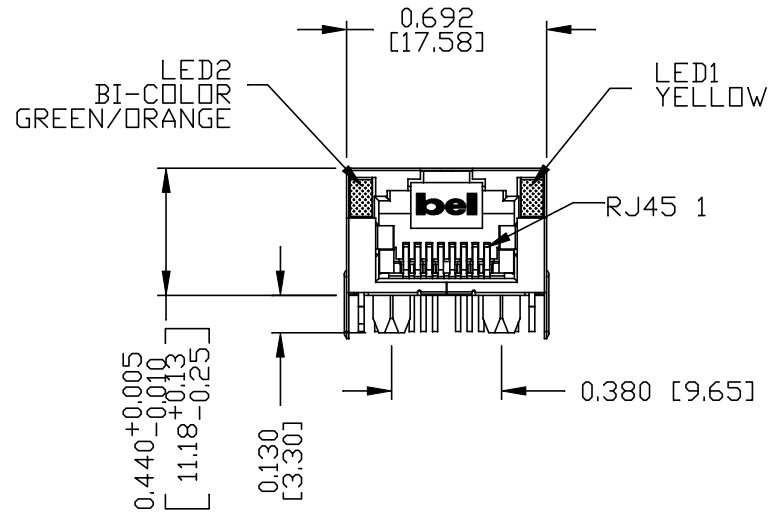
STANDARD DIM.  
 TOL. IN INCH  
 [ ] METRIC DIM.  
 AS REF.  
 .X UNIT : INCH [mm]  
 .XX SCALE : N/A  
 .XXX SIZE : A4



THE INFORMATION CONTAINED HEREIN IS CONSIDERED "PROPRIETARY" TO BEL FUSE INC. AND SHALL NOT BE COPIED, REPRODUCED OR DISCLOSED WITHOUT THE WRITTEN APPROVAL OF BEL FUSE INC.

MECHANICAL SPECIFICATION

RoHS



NOTES:

- PLASTIC HOUSING: THERMOPLASTIC PA.  
FLAMMABILITY RATING UL 94V-0
- CONTACTS: 30 MICRO-INCH HARD GOLD PLATING OR EQUIVALENT.
- OUTPUT PINS: TIN-COATED COPPER WIRE, DIA 0.018 INCH.
- METAL SHIELD: NICKEL PLATED ON COPPER ALLOY.  
(ALL GROUND LEADS ARE SOLDER DIPPED)

[1] MARK PART WITH MFG LOGO, MFG NAME, PART NUMBER, DATE CODE AND PATENTED.

- 1. THE PRODUCT IS RoHS COMPLIANT.
- 2. THE PRODUCT IS RoHS COMPLIANT.
- 3. JACK CAVITY CONFORMS TO FCC RULES AND REGULATIONS.
- 4. THE PRODUCT IS PATENT PRODUCT. THE PATENT NUMBER ARE U.S. PAT. 5,736,910 AND U.S. PAT. 6,840,817 AND U.S. PAT. 7,123,117.

ORIGINATED BY LI QUANKUN	TITLE gigabit MagJack® (Ultra Low Profile) PATENTED
DATE 2015-01-02	
DRAWN BY ZHANG XUEZHENG	
DATE 2015-01-02	

PART NO. / DRAWING NO. L829-1JX1-43	STANDARD DIM. TOL. IN INCH	[ ] METRIC DIM. AS REF.
FILE NAME L829-1JX1-43_B.DWG	.X /	UNIT : INCH [mm]
	.XX /	SCALE : N/A
	.XXX ±0.010	SIZE : A4

REV. : B	PAGE : 3
----------	----------

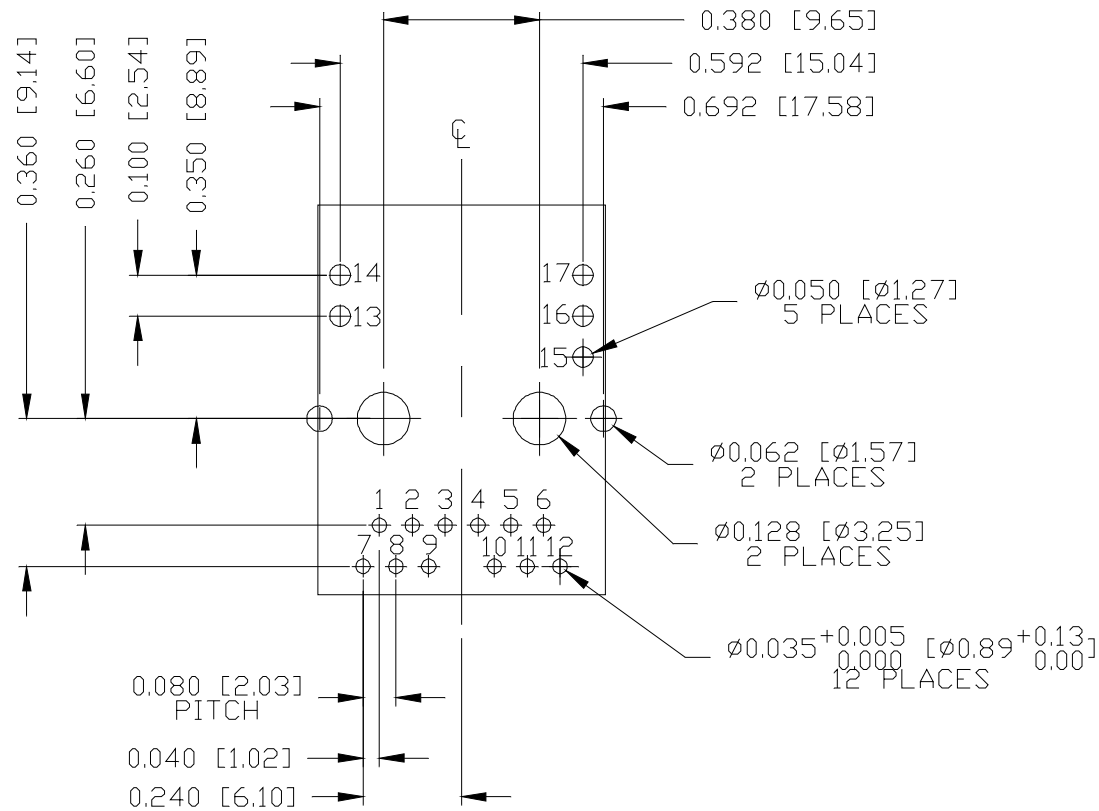
bel MAGNETIC SOLUTIONS  
a bel group

THE INFORMATION CONTAINED HEREIN IS CONSIDERED "PROPRIETARY" TO BEL FUSE INC. AND SHALL NOT BE COPIED, REPRODUCED OR DISCLOSED WITHOUT THE WRITTEN APPROVAL OF BEL FUSE INC.

RoHS



RECOMMENDED PCB FOOTPRINT  
COMPONENT SIDE VIEW



REV. :	B	PAGE :	4
 a bel group		STANDARD DIM.	[ ] METRIC DIM.
		TOL. IN INCH	AS REF.
		.X	UNIT : INCH [mm]
.XX	SCALE : N/A	SIZE : A4	
.XXX	±0.004		

ORIGINATED BY  
LI QUANKUN  
DATE 2015-01-02

DRAWN BY  
ZHANG XUEZHENG  
DATE 2015-01-02

TITLE  
gigabit MagJack®  
(Ultra Low Profile)  
PATENTED

PART NO. / DRAWING NO.  
L829-1JX1-43

FILE NAME  
L829-1JX1-43\_B.DWG

STANDARD DIM.  
TOL. IN INCH

[ ] METRIC DIM.  
AS REF.

UNIT : INCH [mm]

SCALE : N/A

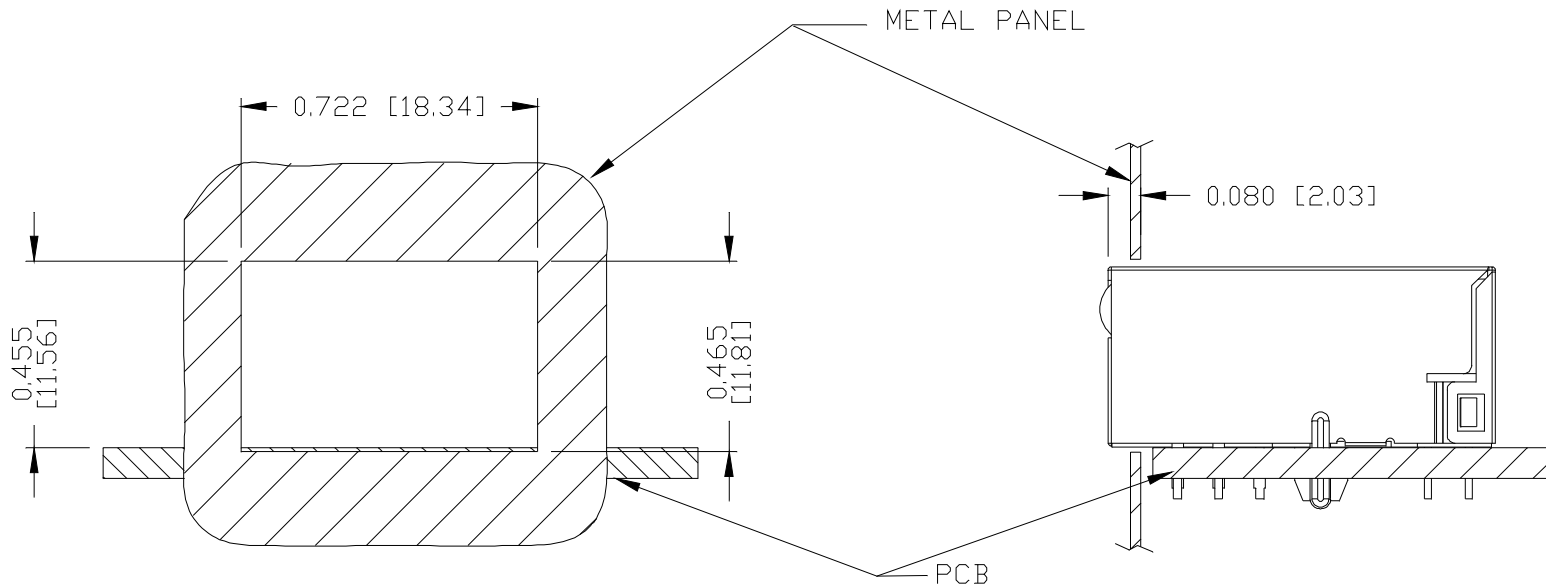
SIZE : A4

THE INFORMATION CONTAINED HEREIN IS CONSIDERED "PROPRIETARY" TO BEL FUSE INC. AND SHALL NOT BE COPIED, REPRODUCED OR DISCLOSED WITHOUT THE WRITTEN APPROVAL OF BEL FUSE INC.

RoHS



SUGGESTED PANEL OPENING



NOTE:

THE DISTANCE OF PANEL INSIDE SURFACE RELATIVE TO FRONT SURFACE OF PART IS ONLY A SUGGESTION. IN CASE THIS DISTANCE IS DIFFERENT, THE REQUIRED PANEL OPENING DIMENSIONS CHANGE ACCORDINGLY.

TRAY PACKING INFORMATION

PACKING TRAY : 0200-9999-E4 (TOP)  
0200-9999-E5 (BOTTOM)

PACKING QUANTITY : 60 PCS FINISHED GOODS PER TRAY  
11 TRAYS (660 PCS FINISHED GOODS) PER CARTON BOX

NOTE : CARDBOARDS ARE PLACED BETWEEN LAYERS OF PACKING TRAY INSIDE CARTON BOX  
(INCLUDE THE UPPERMOST AND LOWERMOST TRAY)

REV. :	B	PAGE :	5
--------	---	--------	---

ORIGINATED BY  
LI QUANKUN  
DATE 2015-01-02

DRAWN BY  
ZHANG XUEZHENG  
DATE 2015-01-02

TITLE  
gigabit MagJack®  
(Ultra Low Profile)  
PATENTED

PART NO. / DRAWING NO.  
L829-1JX1-43

FILE NAME  
L829-1JX1-43\_B.DWG

STANDARD DIM. TOL. IN INCH	[ ] METRIC DIM. AS REF.
.X	UNIT : INCH [mm]
.XX	SCALE : N/A
.XXX ±0.004	SIZE : A4

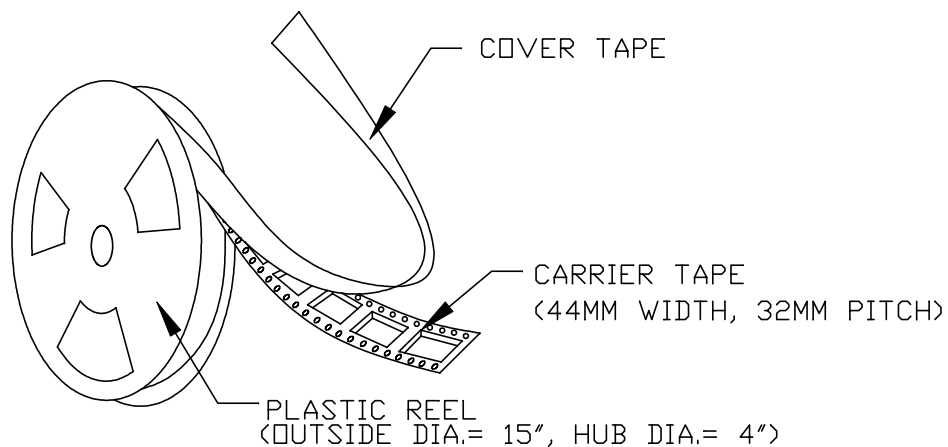


THE INFORMATION CONTAINED HEREIN IS CONSIDERED "PROPRIETARY" TO BEL FUSE INC. AND SHALL NOT BE COPIED, REPRODUCED OR DISCLOSED WITHOUT THE WRITTEN APPROVAL OF BEL FUSE INC.

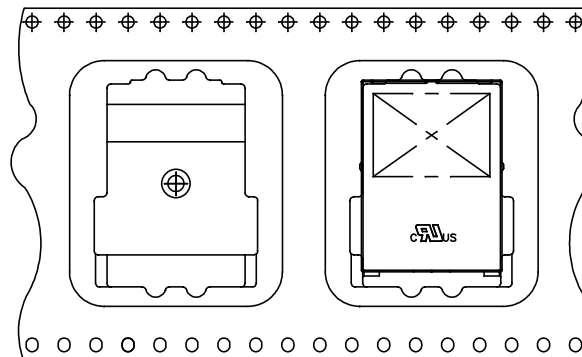
RoHS



TAPE AND REEL PACKING INFORMATION:



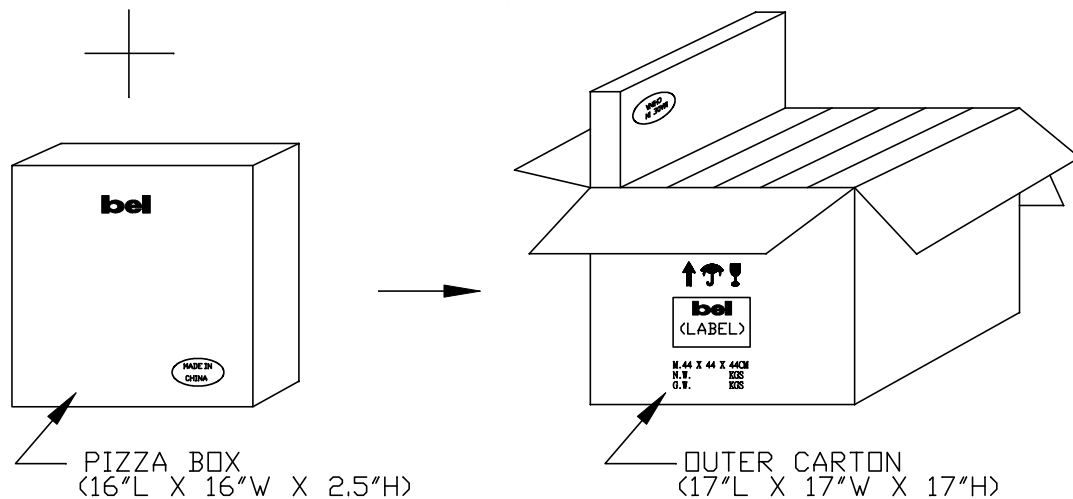
USER FEED DIRECTION



PART ORIENTATION & FEEDING DIRECTION.

NOTES:

- 1) LEAVES 48 INCHES COVER TAPE AND 10 EMPTY POCKETS AT TRAILER.
- 2) LEAVES 24 INCHES COVER TAPE AND 13 EMPTY POCKETS AT LEADER.
- 3) PACK 140 PCS PER REEL.
- 4) EACH PIZZA BOX CONTAINS ONE (1) REEL, ( 140 PCS FINISHED GOODS EACH PIZZA BOX ).
- 5) EACH OUTER CARTON CONTAINS SIX (6) PIZZA BOXES, ( 840 PCS FINISHED GOODS EACH OUTER CARTON ).



REV. : B PAGE : 6

ORIGINATED BY  
LI QUANKUN  
DATE 2015-01-02  
DRAWN BY  
ZHANG XUEZHENG  
DATE 2015-01-02

TITLE  
gigabit MagJack®  
(Ultra Low Profile)  
PATENTED

PART NO. / DRAWING NO.  
L829-1JX1-43  
FILE NAME  
L829-1JX1-43\_B.DWG

STANDARD DIM. TOL. IN INCH		[ ] METRIC DIM. AS REF.
.X		UNIT : INCH [mm]
.XX		SCALE : N/A
.XXX	±0.004	SIZE : A4

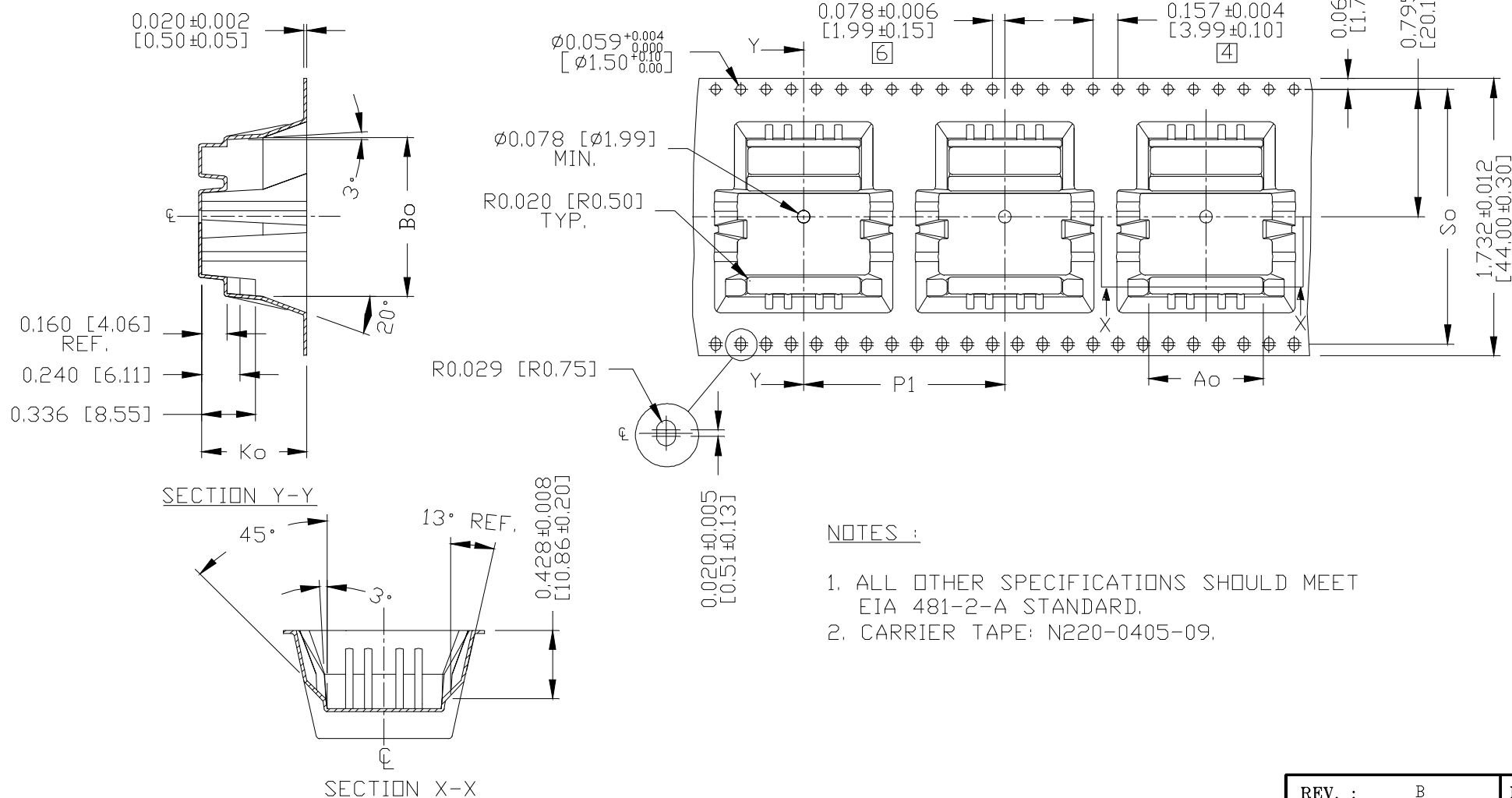


THE INFORMATION CONTAINED HEREIN IS CONSIDERED "PROPRIETARY" TO BEL FUSE INC. AND SHALL NOT BE COPIED, REPRODUCED OR DISCLOSED WITHOUT THE WRITTEN APPROVAL OF BEL FUSE INC.

DIMENSION CHART					
Ao	Bo	Ko	P1	So	LENGTH/22" REEL
0,713 [18.10]	0,965 [24.51]	0,657 [16.69]	1,260 [32.00]	1,591 [40.40]	11 METERS

FOR CARRIER TAPE

RoHS



NOTES :

1. ALL OTHER SPECIFICATIONS SHOULD MEET EIA 481-2-A STANDARD.
2. CARRIER TAPE: N220-0405-09.

ORIGINATED BY  
LI QUANKUN  
DATE 2015-01-02  
DRAWN BY  
ZHANG XUEZHENG  
DATE 2015-01-02

TITLE  
gigabit MagJack®  
(Ultra Low Profile)  
PATENTED

PART NO. / DRAWING NO.  
L829-1JX1-43  
FILE NAME  
L829-1JX1-43\_B.DWG

STANDARD DIM. TOL. IN INCH	[ ] METRIC DIM. AS REF.
.X	UNIT : INCH [mm]
.XX	SCALE : N/A
.XXX ±0.004	SIZE : A4

REV. : B PAGE : 7

