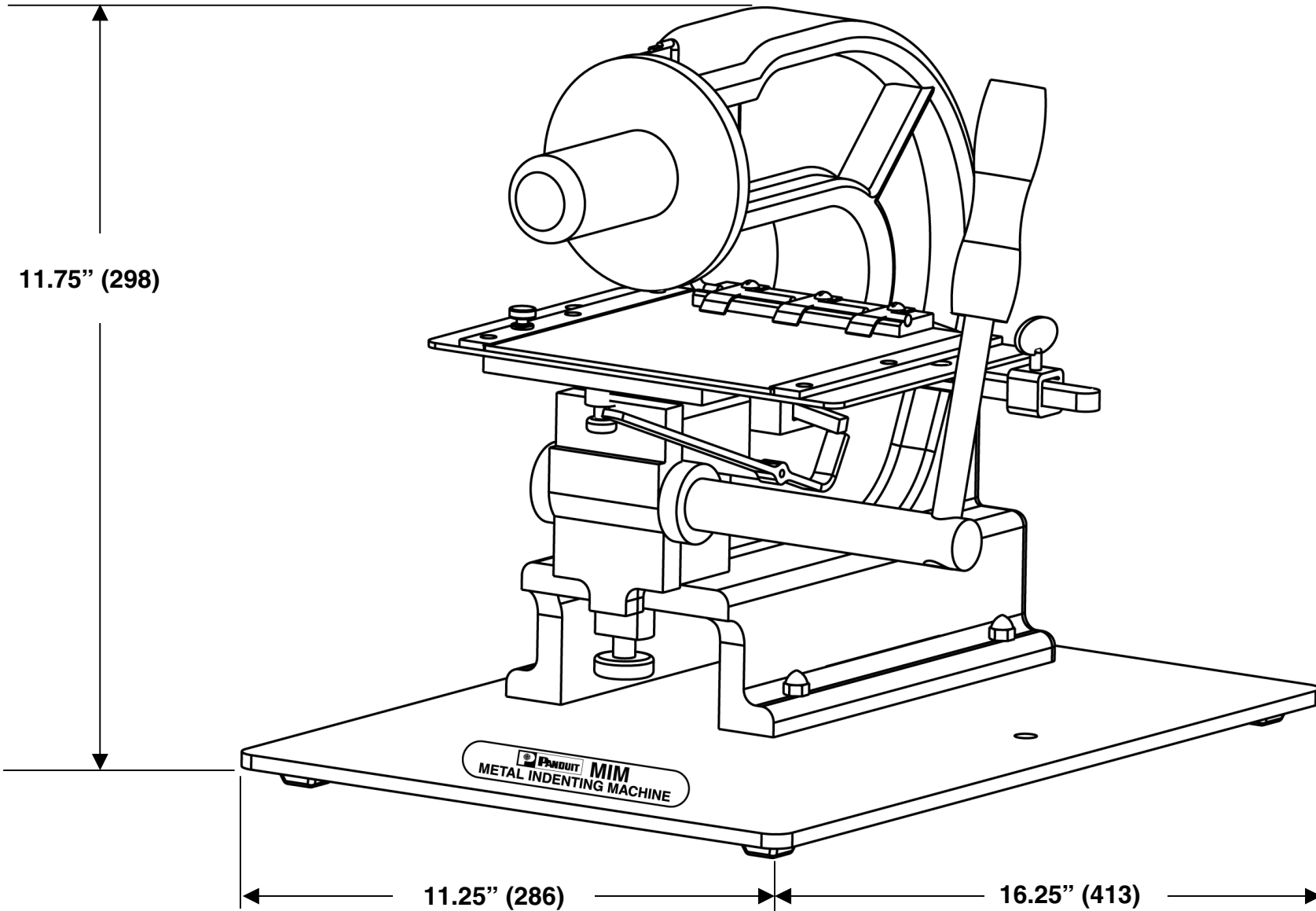


THIS COPY IS PROVIDED ON A RESTRICTED BASIS AND IS NOT TO BE USED IN ANY WAY DETRIMENTAL TO THE INTERESTS OF PANDUIT CORP.



**NOTES, UNLESS OTHERWISE SPECIFIED:**

PANDUIT TOOL NO: MIM094 / MIM125 / MIM187

MIM – Metal Indenting Machine

- MIM094 - Indenting Machine with 3/32" (2.38mm) character wheel
- MIM125 - Indenting Machine with 1/8" (3.18mm) character wheel
- MIM187 - Indenting Machine with 3/16" (4.77mm) character wheel

TOOL WEIGHT: 41 lbs. (18.6 kg.)

EMBOSES MMP SERIES MARKER PLATES, MT SERIES TAGS AND PANSTEEL EH AND SH STAINLESS STEEL CABLE TIES. *Note: Marking on plates, tags or ties under 1/2" wide is not recommended.*

CABLE TIE CROSS-SECTION CODE:

EH = Extra Heavy      SH = Super Heavy

DIMENSIONS SHOWN IN PARENTHESES ARE (mm) METRIC

REFERENCE:

MIW – Metal Intending Wheels

- MIW094 - 3/32" (2.38mm) character wheel kit
- MIW125 - 1/8" (3.18mm) character wheel kit
- MIW187 - 3/16" (4.77mm) character wheel kit

F:\wrkgrp\rvusers\ENGR DOCS-NEW\CUSTOMER DRAWINGS\TP25218B01\_01 MIM CD.doc

REV	DATE	BY	CHK'D	DESCRIPTION	ECN	- R	CUST	SUP
01	9-06-07	BLR	SRRE	UPD GRAPHIC	4262	---	JRWA	
00	10-18-06	BLR	SRRE	RELEASED	4224	---	LAH	

**PANDUIT** CORP. TINLEY PARK, ILLINOIS  
**CUSTOMER DRAWING \***  
**MIM094 / MIM125 / MIM187**

UNLESS OTHERWISE SPECIFIED, DIMENSIONAL TOLERANCES ARE:  
 (.x) ± ---- (.xxx) ± ----  
 (.xx) ± ---- ANGLES ± ----

UNLESS OTHERWISE SPECIFIED, ALL DIMENSIONS ARE GIVEN IN INCHES, THIRD ANGLE PROJECTION.

DRAWN BY:  
**BLR**

DATE:  
**10-18-06**

CHK'D:  
**SRRE**

MATL:

-----

SCALE

**NONE**

DRAWING NO.

**TP25218B01**

DWG  
**B**  
 SIZE

**NOTE:** *In the interest of higher quality and value, we are constantly improving and updating our products. Consequently, pictures shown may sometimes vary from the actual product.*