

MODEL:

# PDU3VN10L1530

## 3-Phase Monitored Rackmount PDU



208V/240V  
3-Phase Input



L15-30P Plug



208V/240V  
Single-Phase  
Output



48 Outlets  
C19



Up to 10kW  
Load Capacity



Multimode  
Load Meter



Network  
Interface

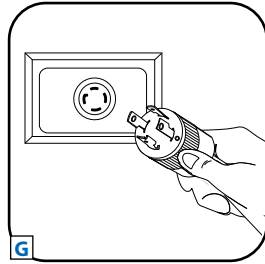


0U  
Rackmount



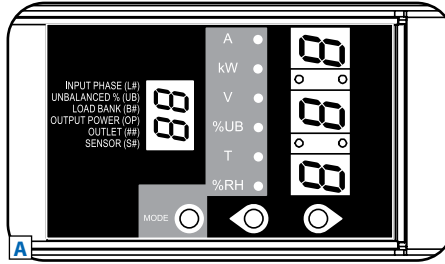
Toolless  
Mounting  
Buttons

- A** Multimode Load Meter
- B** C13 and C19 Outlets
- C** 20A 2-Pole Hydraulic Magnetic Circuit Breakers
- D** Removable Mounting Brackets
- E** Toolless Mounting Buttons with Removable 90° Rotation Brackets
- F** 10-ft. Input Power Cord
- G** L15-30P Twist-Lock Input Plug
- H** Durable Metal Case
- I** Network Interface
- J** RJ45 Ethernet Jack
- K** RJ45 Configuration Port
- L** Environmental Monitoring Port
- M** Network Interface Reset Button

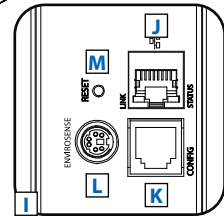
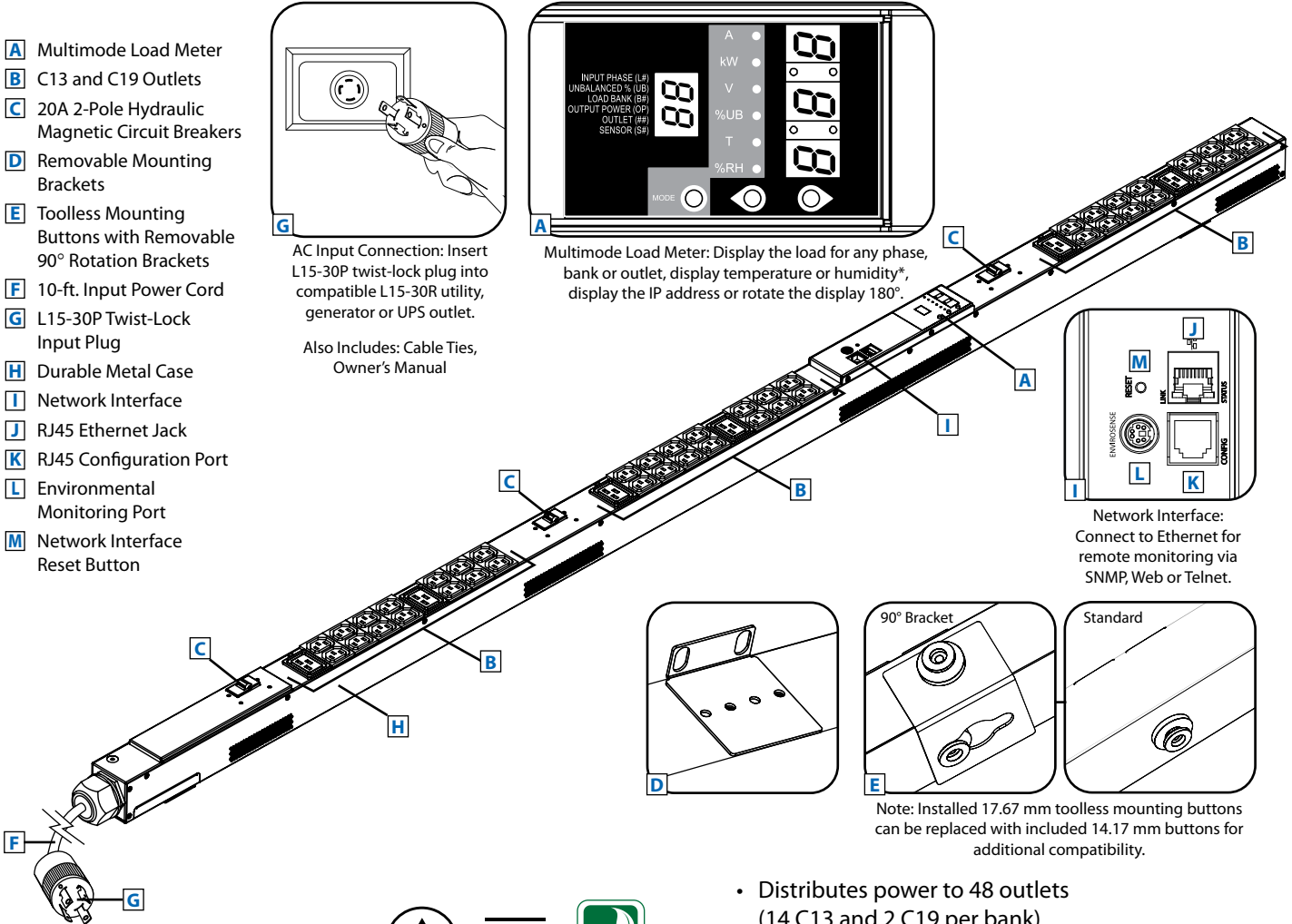


AC Input Connection: Insert L15-30P twist-lock plug into compatible L15-30R utility, generator or UPS outlet.

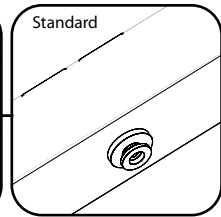
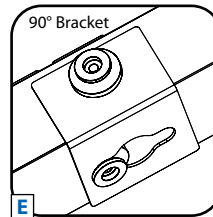
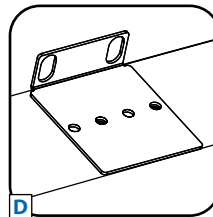
Also Includes: Cable Ties, Owner's Manual



Multimode Load Meter: Display the load for any phase, bank or outlet, display temperature or humidity\*, display the IP address or rotate the display 180°.



Network Interface: Connect to Ethernet for remote monitoring via SNMP, Web or Telnet.



Note: Installed 17.67 mm toolless mounting buttons can be replaced with included 14.17 mm buttons for additional compatibility.

### Specifications

Models	PDU3VN10L1530
Voltage	208V/240V (3-Phase Input/Single-Phase Output)
Frequency	50/60Hz
Load Capacity	Up to 10kW
Input Plug	L15-30P
Input Cord Length	10 ft. (3.05 m)
Outlets	48 (42 C13 / 6 C19)
Primary Mounting Option	0U (Vertical) Rackmount
Unit Weight & Dimensions	14.93 lbs. / 70 x 2.17 x 2.86 (HxWxD in inches) 6.8 kg / 177.8 x 5.5 x 7.3 (HxWxD in cm) See next page for detailed unit measurements.
Standards	Tested to UL 60950-1 (US & Canada), NOM (Mexico), FCC Class A, RoHS, TAA

Tripp Lite has a policy of continuous improvement. Specifications are subject to change without notice.



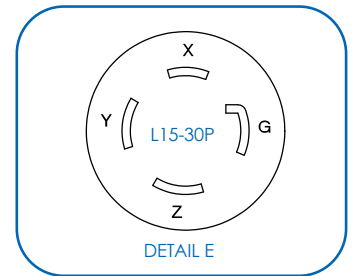
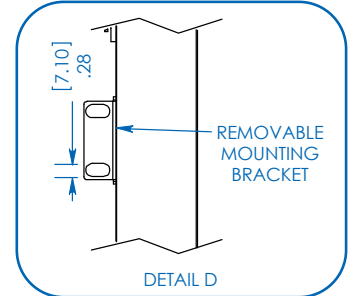
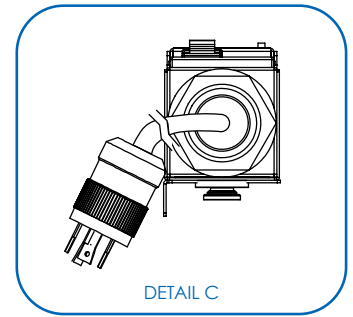
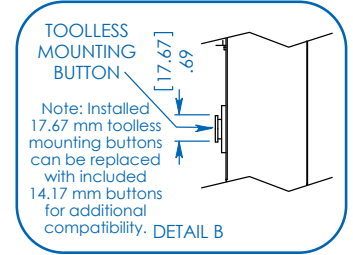
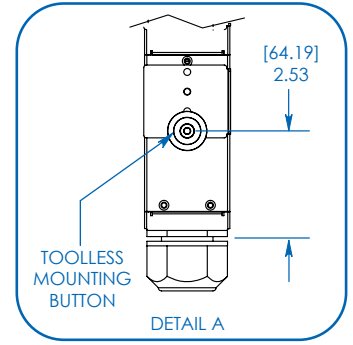
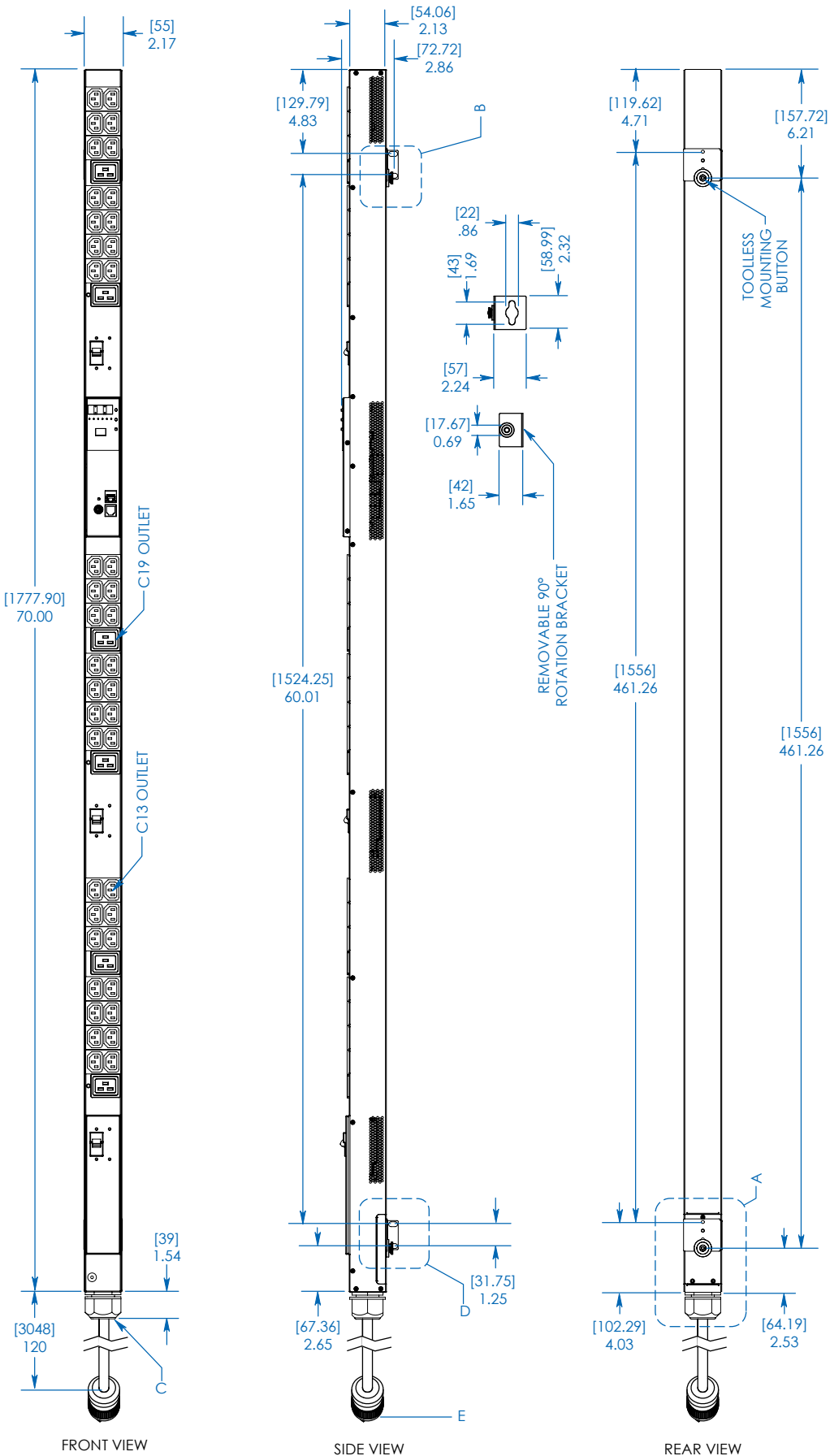
- Distributes power to 48 outlets (14 C13 and 2 C19 per bank)
- Remote monitoring via SNMP, Web or Telnet
- Displays load for *any output phase* in real time
- Perfect for rackmount server, network and telecom applications

SEE NEXT PAGE FOR DETAILED UNIT MEASUREMENTS



1111 W. 35th Street • Chicago, IL 60609 USA  
773.869.1234 • www.tripplite.com

\*Add optional ENVIROSENSE accessory for temperature/humidity monitoring and dry contact interface.



Dimensions: [mm] INCHES

Tripp Lite has a policy of continuous improvement. Specifications are subject to change without notice.

MODEL:  
**PDU3VN10L1530**



1111 W. 35th Street  
Chicago, IL 60609 USA  
773.869.1234

[www.tripplite.com](http://www.tripplite.com)