

REF_Fridge_C101T_6ED user guide

Refrigerator compressor driver reference design kit

About this document

Scope and purpose

This user guide provides an overview of the reference design board REF_Fridge_C101T_6ED including its main features, key data, pin assignments and mechanical dimensions, and the guidance on how to run and design the motor with board.

The REF_Fridge_C101T_6ED board is a complete reference design board designed for refrigerator compressors. It demonstrates the entire Infineon solution including 600 V three-phase gate driver IC 6EDL04I06PT, 600 V RC-D2 IGBT IKD04N60RC2, digital motor control IC iMOTION™ IMC101T-T038 and linear voltage regulators IFX54211MB V33.

The REF_Fridge_C101T_6ED board is developed to support customers in designing their refrigerator compressor drivers with Infineon products.

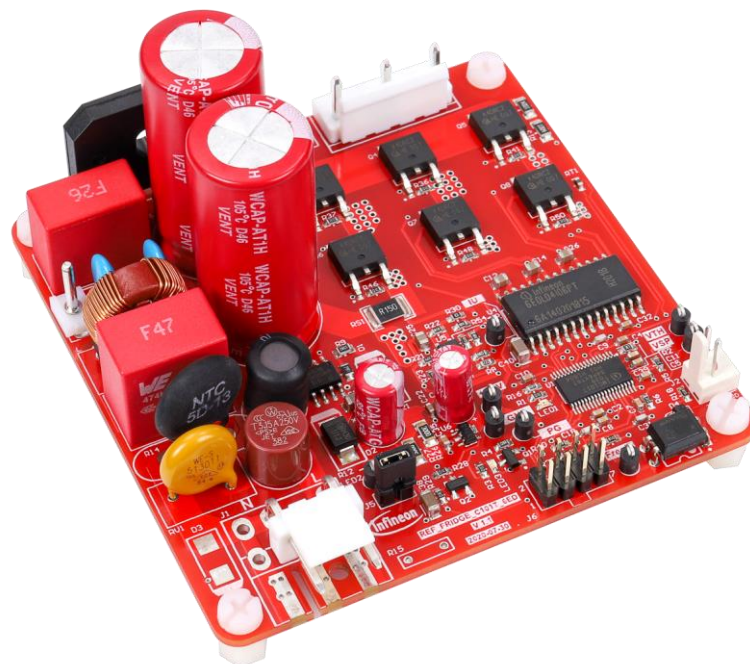
Intended audience

This user guide is intended for technical specialists working with the REF_Fridge_C101T_6ED board and refrigerator compressor driver design.

Reference board/kit

Product(s) embedded on a PCB, with focus on specific applications and defined use cases that can include software. PCB and auxiliary circuits are optimized for the requirements of the target application.

Note: Boards do not necessarily meet safety, EMI, quality standards (for example UL, CE) requirements.



Important notice

Important notice

“Evaluation Boards and Reference Boards” shall mean products embedded on a printed circuit board (PCB) for demonstration and/or evaluation purposes, which include, without limitation, demonstration, reference and evaluation boards, kits and design (collectively referred to as “Reference Board”).

Environmental conditions have been considered in the design of the Evaluation Boards and Reference Boards provided by Infineon Technologies. The design of the Evaluation Boards and Reference Boards has been tested by Infineon Technologies only as described in this document. The design is not qualified in terms of safety requirements, manufacturing and operation over the entire operating temperature range or lifetime.

The Evaluation Boards and Reference Boards provided by Infineon Technologies are subject to functional testing only under typical load conditions. Evaluation Boards and Reference Boards are not subject to the same procedures as regular products regarding returned material analysis (RMA), process change notification (PCN) and product discontinuation (PD).

Evaluation Boards and Reference Boards are not commercialized products, and are solely intended for evaluation and testing purposes. In particular, they shall not be used for reliability testing or production. The Evaluation Boards and Reference Boards may therefore not comply with CE or similar standards (including but not limited to the EMC Directive 2004/EC/108 and the EMC Act) and may not fulfill other requirements of the country in which they are operated by the customer. The customer shall ensure that all Evaluation Boards and Reference Boards will be handled in a way which is compliant with the relevant requirements and standards of the country in which they are operated.

The Evaluation Boards and Reference Boards as well as the information provided in this document are addressed only to qualified and skilled technical staff, for laboratory usage, and shall be used and managed according to the terms and conditions set forth in this document and in other related documentation supplied with the respective Evaluation Board or Reference Board.

It is the responsibility of the customer’s technical departments to evaluate the suitability of the Evaluation Boards and Reference Boards for the intended application, and to evaluate the completeness and correctness of the information provided in this document with respect to such application.

The customer is obliged to ensure that the use of the Evaluation Boards and Reference Boards does not cause any harm to persons or third party property.

The Evaluation Boards and Reference Boards and any information in this document is provided "as is" and Infineon Technologies disclaims any warranties, express or implied, including but not limited to warranties of non-infringement of third party rights and implied warranties of fitness for any purpose, or for merchantability.

Infineon Technologies shall not be responsible for any damages resulting from the use of the Evaluation Boards and Reference Boards and/or from any information provided in this document. The customer is obliged to defend, indemnify and hold Infineon Technologies harmless from and against any claims or damages arising out of or resulting from any use thereof.

Infineon Technologies reserves the right to modify this document and/or any information provided herein at any time without further notice.

Safety precautions

Safety precautions

Note: Please note the following warnings regarding the hazards associated with development systems.

Table 1 Safety precautions

	<p>Warning: The DC link potential of this board is up to 400 VDC. When measuring voltage waveforms by oscilloscope, high voltage differential probes must be used. Failure to do so may result in personal injury or death.</p>
	<p>Warning: The evaluation or reference board contains DC bus capacitors which take time to discharge after removal of the main supply. Before working on the drive system, wait five minutes for capacitors to discharge to safe voltage levels. Failure to do so may result in personal injury or death. Darkened display LEDs are not an indication that capacitors have discharged to safe voltage levels.</p>
	<p>Warning: The evaluation or reference board is connected to the grid input during testing. Hence, high-voltage differential probes must be used when measuring voltage waveforms by oscilloscope. Failure to do so may result in personal injury or death. Darkened display LEDs are not an indication that capacitors have discharged to safe voltage levels.</p>
	<p>Warning: Remove or disconnect power from the drive before you disconnect or reconnect wires, or perform maintenance work. Wait five minutes after removing power to discharge the bus capacitors. Do not attempt to service the drive until the bus capacitors have discharged to zero. Failure to do so may result in personal injury or death.</p>
	<p>Caution: The heat sink and device surfaces of the evaluation or reference board may become hot during testing. Hence, necessary precautions are required while handling the board. Failure to comply may cause injury.</p>
	<p>Caution: Only personnel familiar with the drive, power electronics and associated machinery should plan, install, commission and subsequently service the system. Failure to comply may result in personal injury and/or equipment damage.</p>
	<p>Caution: The evaluation or reference board contains parts and assemblies sensitive to electrostatic discharge (ESD). Electrostatic control precautions are required when installing, testing, servicing or repairing the assembly. Component damage may result if ESD control procedures are not followed. If you are not familiar with electrostatic control procedures, refer to the applicable ESD protection handbooks and guidelines.</p>
	<p>Caution: A drive that is incorrectly applied or installed can lead to component damage or reduction in product lifetime. Wiring or application errors such as undersizing the motor, supplying an incorrect or inadequate AC supply, or excessive ambient temperatures may result in system malfunction.</p>
	<p>Caution: The evaluation or reference board is shipped with packing materials that need to be removed prior to installation. Failure to remove all packing materials that are unnecessary for system installation may result in overheating or abnormal operating conditions.</p>

Table of contents

Table of contents

About this document..... 1

Important notice 2

Safety precautions..... 3

Table of contents..... 4

1 The board at a glance..... 5

1.1 Delivery content5

1.2 Block diagram.....5

1.3 Main features6

1.4 Board parameters and technical data.....7

2 System and functional description 9

2.1 Commissioning.....9

2.1.1 Hardware connection10

2.1.2 Software/firmware preparation11

2.1.3 Program firmware/parameters/script.....11

2.1.4 Open-loop diagnostic13

2.1.5 Closed-loop run.....14

2.2 Description of the functional blocks.....15

2.2.1 Inverter section15

2.2.2 Gate driver16

2.2.3 DC bus sensing and MCEWizard configuration17

2.2.4 Current sensing and overcurrent protection18

2.2.4.1 Current sensing18

2.2.4.2 Overcurrent protection.....20

2.2.5 NTC sensing and thermal protection23

2.3 Frequency signal interface.....25

2.4 Linear voltage regulator and control.....26

3 Details of the schematics, layout, BOM and connectors27

3.1 Schematics27

3.2 Layout27

3.3 Bill of material28

3.4 Connector details29

4 System performance31

4.1 Thermal characterization test31

5 Reference and appendices33

5.1 Abbreviations and definitions.....33

5.2 Reference.....33

5.3 Additional information.....33

Revision history.....34

The board at a glance

1 The board at a glance

The REF_Fridge_C101T_6ED reference design kit is a part of the iMOTION™ reference design kit for motor drives, which is aimed at driver applications for refrigerator compressors. The kit is a ready-to-use solution in combination with Infineon products such as 600 V SOI three-phase gate driver IC 6EDL04I06PT, 600 V RC-D2 IGBT IKD04N60RC2, digital motor control IC iMOTION™ IMC101T-T038 and linear voltage regulator IFX54211MB V33. It can easily be switched to a final mass-production application board, and has a fast time to market.

The REF_Fridge_C101T_6ED reference board is available from Infineon. The features of this board are described in Chapter 1.3 of this document (UG-2020-20). The remaining sections provide information to enable customers to copy, modify and qualify the design for production according to their own specific requirements.

Environmental conditions have been considered in the design of the REF_Fridge_C101T_6ED. The design was tested as described in this document but not qualified in terms of safety requirements or manufacturing and operation over the entire operating temperature range or lifetime. The boards provided by Infineon are subject to functional testing only.

The boards are not subject to the same procedures as regular products in terms of returned material analysis (RMA), process change notification (PCN) and product discontinuation (PD). Reference boards are intended for use under laboratory conditions by specialists only.

1.1 Delivery content

The delivery content only contains the board as shown in Figure 2; detailed ordering information is indicated in Table 2.

The iMOTION™ Link cable shown in Figure 4 is mandatory for tuning, and it is not included in the delivery content. Please order it if you have not already done so; ordering information can be found in section 5.3.

Table 2 Delivery content

Base part number	Package	Standard pack		Orderable part number
		Form	Quantity	
REF_Fridge_C101T_6ED		Boxed	1	REFFRIDGEC101T6EDTOB01

1.2 Block diagram

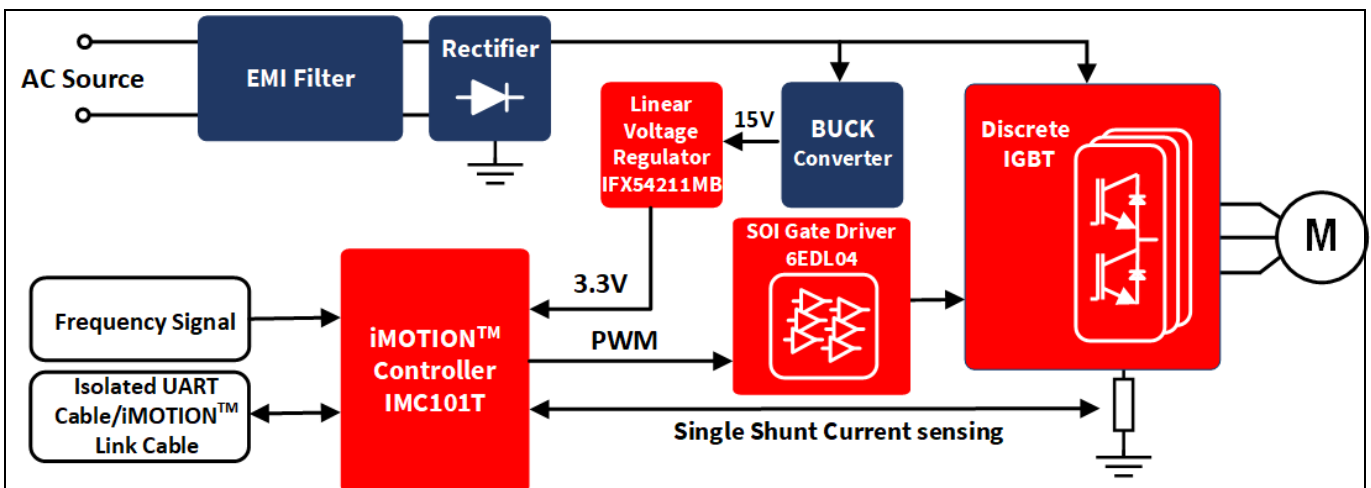


Figure 1 The block diagram of the REF_Fridge_C101T_6ED reference board

The board at a glance

Figure 1 shows the reference design kit REF_Fridge_C101T_6ED. This document explains the features and details.

Figure 2 depicts the functional groups of the board. Connector definition details are described in section 3.4; please see this section if you need more information.

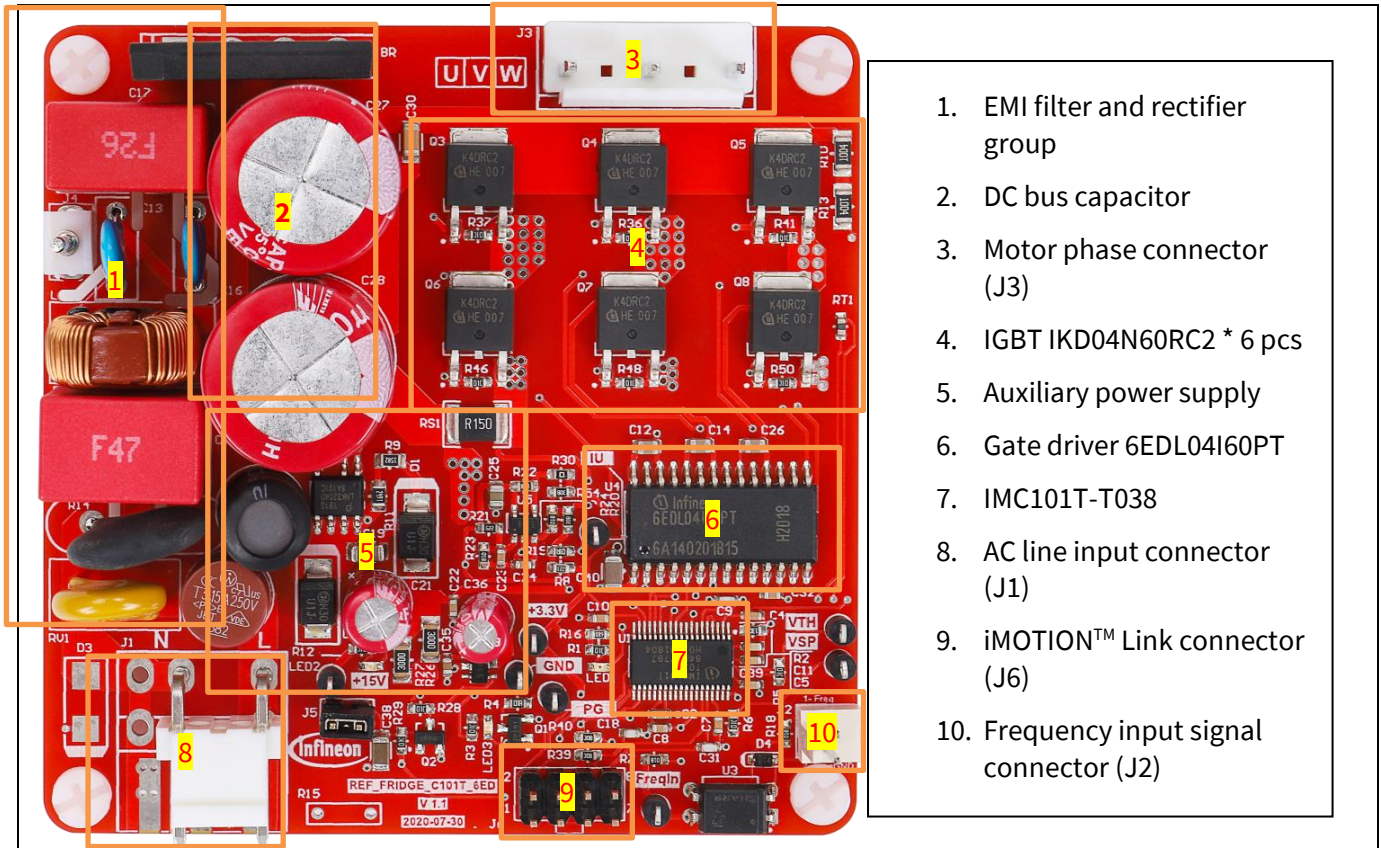


Figure 2 Functional groups on top side of board

1.3 Main features

REF_Fridge_C101T_6ED is a complete reference design board for motor drive applications. The kit demonstrates Infineon's products for motor drives.

Main features of 6EDL04I60PT ^[1]:

- Thin-film SOI technology
- Maximum blocking voltage +600 V
- Separate control circuits for all six drivers
- CMOS and LSTTL-compatible input (positive logic)
- Signal interlocking of every phase to prevent cross-conduction
- Detection of overcurrent and undervoltage supply

REF_Fridge_C101T_6ED user guide

Refrigerator compressor driver reference design kit

The board at a glance

600 V RC-D2 is the successor of the RC-DF IGBT. The diode is monolithically integrated, which makes this technology suited for consumer drives. The current rating of the diode was optimized in order to make this product even more competitive in terms of price and performance. The RC-D2 is also the first IGBT family to introduce the SOT-223 package. This package further improves the price due to its smaller size, and is pin-to-pin compatible and replaceable with the DPAK package, fitting the same footprint. Main features of 600 V RC-D2 IGBT compared to RC-DF include:

- Adequate performance at competitive price
- Sufficient di/dt controllability in order to reduce electromagnetic noise
- Improved humidity robustness (HV-H3TRB test passed)
- Wide portfolio with current classes range from 4 A to 15 A in DPAK

Main features of iMOTION™ controller IMC101T include ^[3]:

- Motion control engine as ready-to-use controller solution for sensorless and Hall-sensor motor drives
- Field-oriented control (FOC) for permanent magnet synchronous motor (PMSM/BLDC)
- Optional support for Hall sensors (analog or digital)
- Space vector PWM with sinusoidal commutation and integrated protection features
- Current sensing via single shunt or leg shunt
- Integrated analog comparators for overcurrent protection
- Integrated scripting engine for application flexibility
- 3.3 V or 5.0 V supply voltage options for controller
- Flexible host interface options for speed commands: UART, SPI, PWM or analog signal
- Class B pre-certification (IEC60335) for MCE2.0 firmware

For more information about the above-mentioned products, refer to the corresponding reference material.

1.4 Board parameters and technical data

Table 3 depicts the important specifications of the reference design REF_Fridge_C101T_6ED.

Table 3 REF_Fridge_C101T_6ED board specifications

Parameter	Symbol	Conditions / comments	Value	Unit
Operation input voltage	V_{ac}	Lower AC input, less motor power output	165 ~ 265	V_{rms}
Maximum input current	$I_{ac(max)}$	Input 220 V_{AC} , $T_a=25^{\circ}C$	1.5	A_{rms}
Maximum input power	$P_{in(max)}$	Input 220 V_{AC} , $f_{PWM}=5$ kHz, $T_a=25^{\circ}C$, $T_{case}=100^{\circ}C$ without heat sink	240	W
Maximum motor current	$I_{mtr(max)}$	Input 220 V_{AC} , $f_{PWM}=5$ kHz, $T_a=25^{\circ}C$, $T_{case}=100^{\circ}C$ without heat sink	0.66	A_{rms}
Maximum DC bus voltage	$V_{dc(max)}$		400	V
Shunt Resistance	R_{sh}		150	m Ω
Protection				
Current protection trigger level	I_{trip}	Level by external comparator circuit	3.05^1	A_{peak}
Thermal protection level	$T_{protection}$	Temperature gap between IGBT's case and NTC (negative temperature coefficient) sensor needs to be considered; recommended is a setting of $105^{\circ}C$	105	$^{\circ}C$

The board at a glance

Parameter	Symbol	Conditions / comments	Value	Unit
		for the case temperature, considering the gap, set about 75°C in the MCEWizard.		
Auxiliary power supply 1 - 15V				
Output voltage	V_{out1}		15 ± 5%	V
Maximum output current	I_{out1}		100	mA
Auxiliary power supply 2 - 3.3V				
Output voltage	V_{out2}		3.3 ± 5%	V
Maximum output current	I_{out2}		150	mA
PCB characteristics				
Dimension		Length × width × height	78×78×46	mm
Material		1.6 mm thickness, 1 oz. copper	FR4	
System environment				
Ambient temperature	T_a	Non-condensing, maximum RH of 95%	0 ~ 50	°C

Note: 1. For iMOTION™ IC IMC1xx, there are three types of Gatekill input source options in MCEWizard setup. If “comparator” mode is selected, the external Gatekill signal will not be used, and the signal V_{shunt} will be compared by the internal comparator with the “Device overcurrent trigger level setting” value set in MCEWizard.

2 System and functional description

2.1 Commissioning

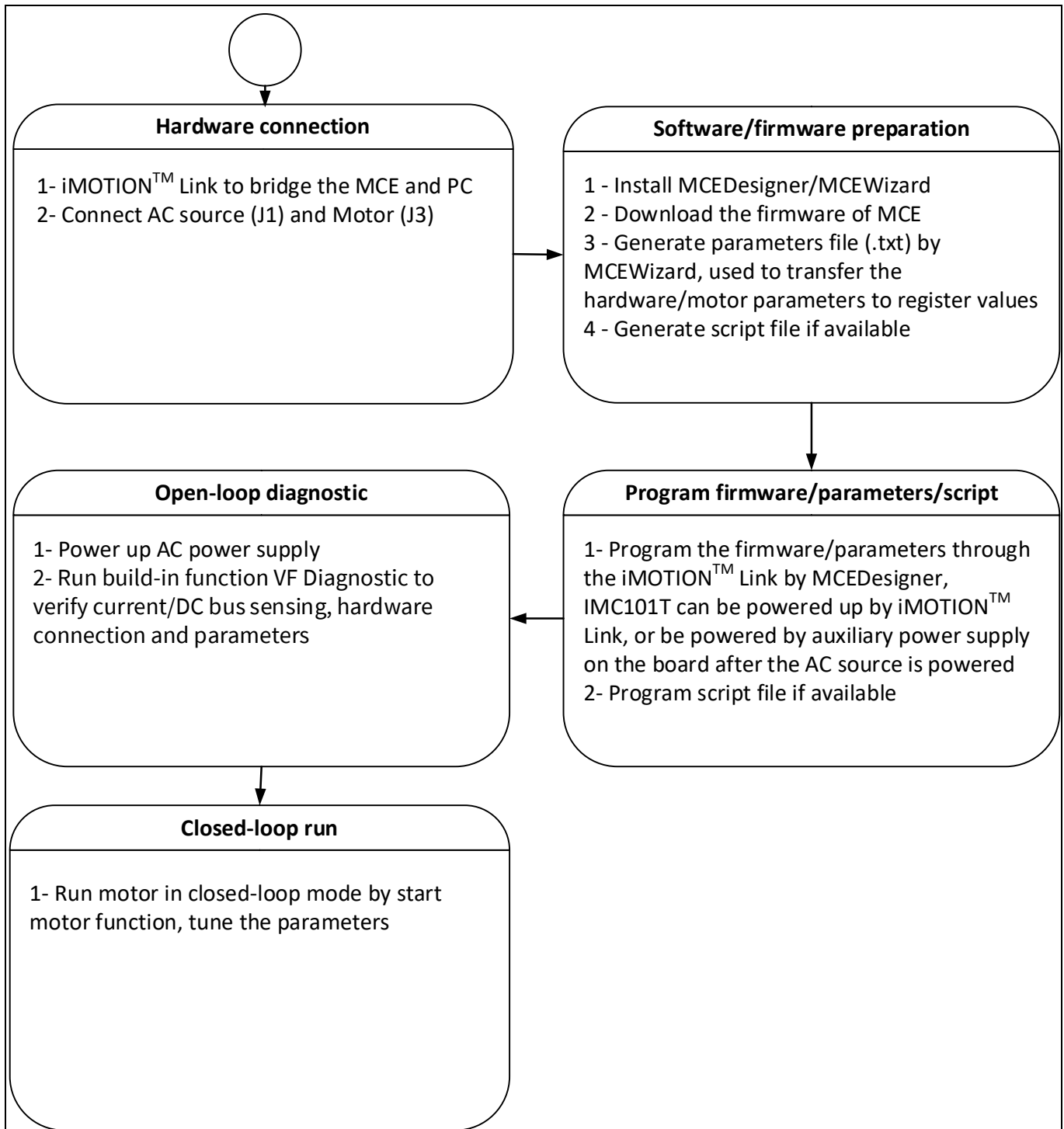


Figure 3 Basic process for running the motor the first time

This section describes how to get the system working when user first installs the board (refer to Figure 3 for general steps). The following items detail these steps. For those who are already familiar with the system, or have already run the board, unnecessary steps can be skipped depending on user's actual situation. For more in-depth commissioning requirements, please refer to the MCE reference manual or the corresponding reference material ^{[6][7][8]}.

System and functional description

2.1.1 Hardware connection

Figure 4 shows the hardware connection details for the reference design board.

The [iMOTION™ Link](#) cable is needed to bridge the PC/debugger side and motor drive system (the target iMOTION™ device, hot side) with 1 kV DC galvanic isolation. Users can go to section 5.3 for more information about iMOTION™ Link.

1. Connect iMOTION™ Link's 8-pin cable to J6 with default pin order, and connect PC and iMOTION™ Link with the USB wire.
2. Then connect AC power supply (J1) and the motor (J3).

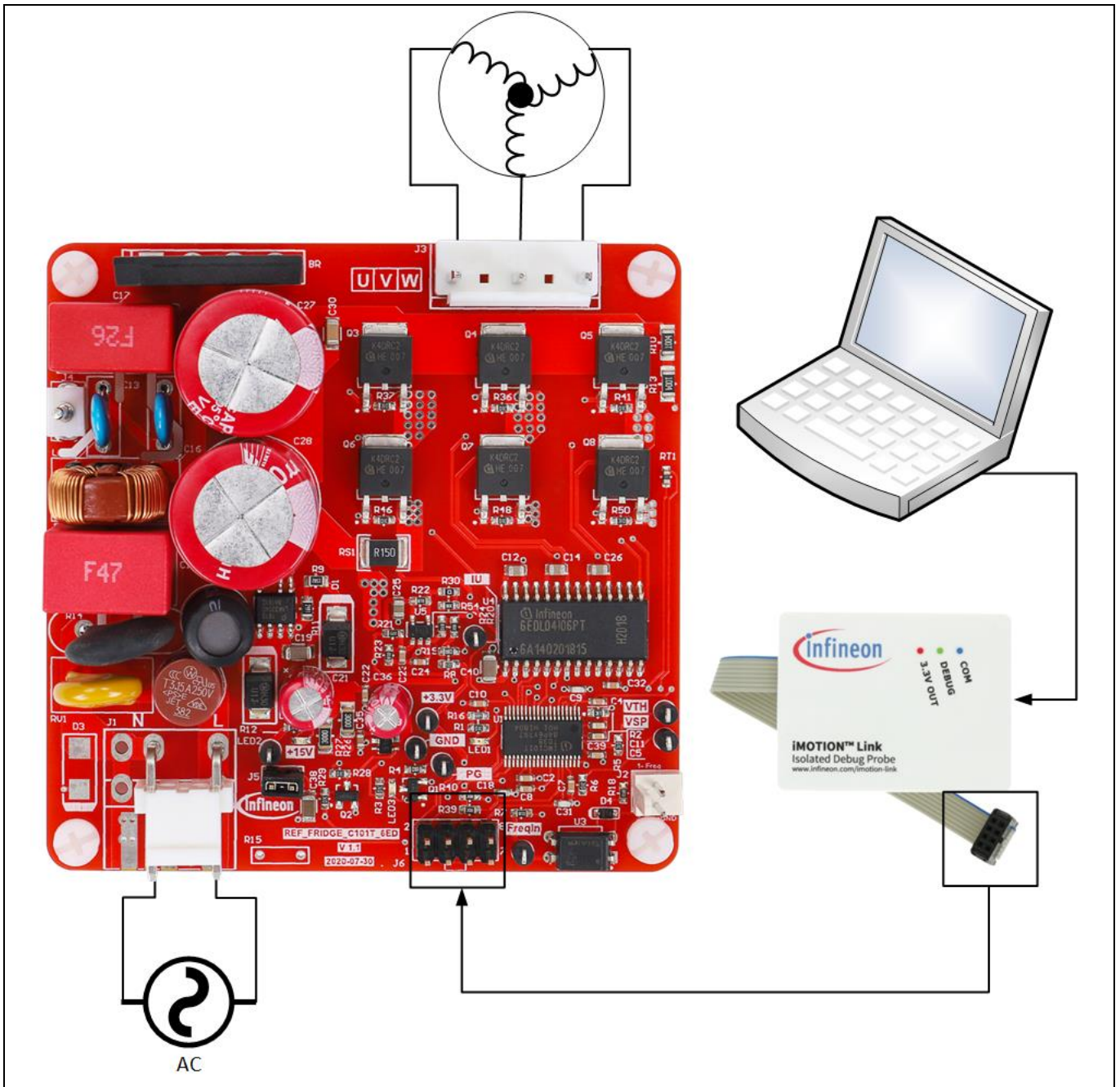


Figure 4 Hardware connection details

System and functional description

2.1.2 Software/firmware preparation

1. The iMOTION™ software tools MCEDesigner and MCEWizard are required in order to initially set up the system, as well as to control and fine-tune the system performance to match the user's exact needs. These tools are available for download via the Infineon website (<http://www.infineon.com/imotion-software>). Please check this page periodically for tool/software updates.
2. The MCE firmware then has to be downloaded on our website; select the proper version of the firmware based on your requirements. Included in the package are the firmware ('.ldf'), default parameters ('.txt'), the default map file ('.map'), the file for the MCEDesigner ('.irc') and other documents.
3. Generate your parameters' file.
 - Use MCEWizard to enter the target motor's system and operating parameters, as well as reference board's hardware parameters, which will then be used to calculate the controller's digital parameter set representing the complete motor drive system.
 - After system and operating parameters are set, go to the "Verify & Save Page" and click on "Calculate" button. If no errors are reported, then save the drive parameter set in your project directory by clicking "Export to Designer file (.txt)" (Figure 7); if some errors are detected, double-click on the error message (highlighted in red) and adjust the related parameters. Saved drive system parameter file will be later used for programmers.

Note: After you log-in on myInfineon, you could download the default MCEwizard file (.mc2) for this board, you only need to modify the parameters related to your motor to make things easier and save time.

4. Generate the script if available. For users who are tuning the board for the first time, it is recommended not to use this function first, but to add the script function after the motor commissioning is completed.

2.1.3 Program firmware/parameters/script

The REF_Fridge_C101T_6ED reference design kit is shipped with pre-programmed firmware and default parameters, since the functional tests were done before shipment. Users need to program their parameters, as the motor is different from the one under test.

The following steps have to be performed in order to achieve a usable motor controller IC from a blank IMC101T:

- Program the firmware of the motion control engine (MCE)
- Program parameter sets for system and motor
- Program customer script file (optional)

Or

- Program the combined file, which is combined by MCEWizard containing all three items above. Customer script file is optional depending on whether it is available. The combined file is usually used for production, since it only needs to be programmed once.

The programming process is as follows:

1. Start the MCEDesigner tool and open MCEDesigner default configuration file (.irc) for IMC101T device (IMC101T_Vxxx.irc) by clicking "File" > "Open".

Note: The IMC101T_Vxxx.irc file is included in the downloaded firmware package "IMC101T MCE Software Package."

System and functional description

2. Power the iMOTION™ control IC with 3.3 V. It is recommended to program the IC with the 3.3 V isolated power supply that comes from the iMOTION™ Link. There is a switch on the iMOTION™ Link to enable the 3.3 V output. The iMOTION™ control IC will also be powered by the onboard auxiliary power supply after the AC source is powered, but caution due to high voltage.
3. MCEDesigner should automatically connect to the board using default COM port (indicated by green circle next to “COMx Up” status in the bottom frame of the MCEDesigner GUI) when iMOTION™ control IC is powered. If it cannot establish the connection due to an incorrect COM port, change COM port by doing the following: click on the “System Page” window and then click on “Preferences > Connection > Connect using,” and choose one of the other available COM ports from the drop-down list.
4. (In the case of a blank IC) If the firmware has been erased from the IMC101T, the following warning message will pop up “Target device firmware and parameters file are not programmed! Please program firmware and parameters file” as Figure 5. Then you can program as described in the step 5. If it is not the blank IC, no such message will be indicated.

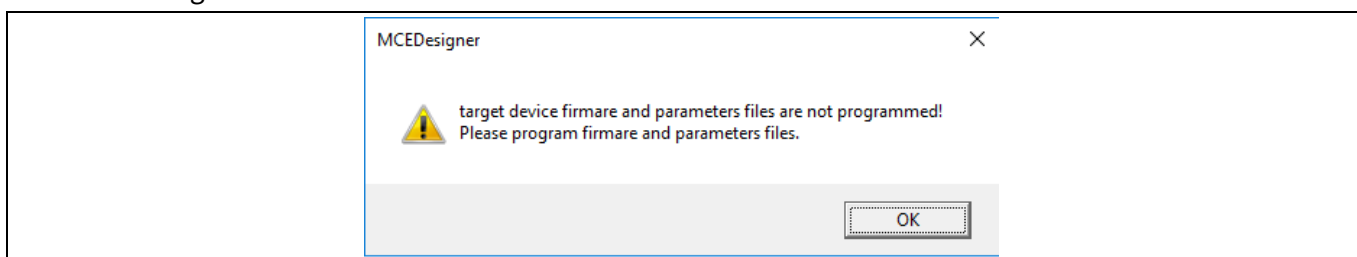


Figure 5 MCEDesigner warning message

5. Use the following steps to program the firmware and the parameters' file into the internal flash memory of iMOTION™ Control IC: click on system page, click “Tools” > “Programmer” and select “Program Firmware and Parameters.” Shown as in Figure 6 below. The encrypted firmware is available at “IMC101T MCE Software Package;” regarding the parameters' file, browse and select the'.txt' file in Section 2.1.2.

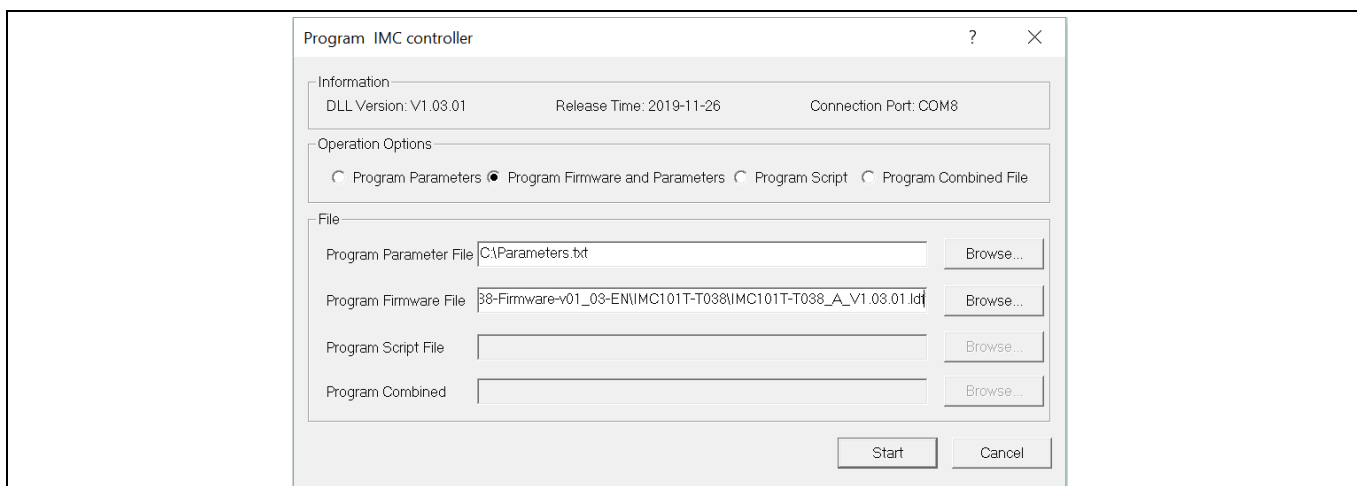


Figure 6 Program the parameters and firmware

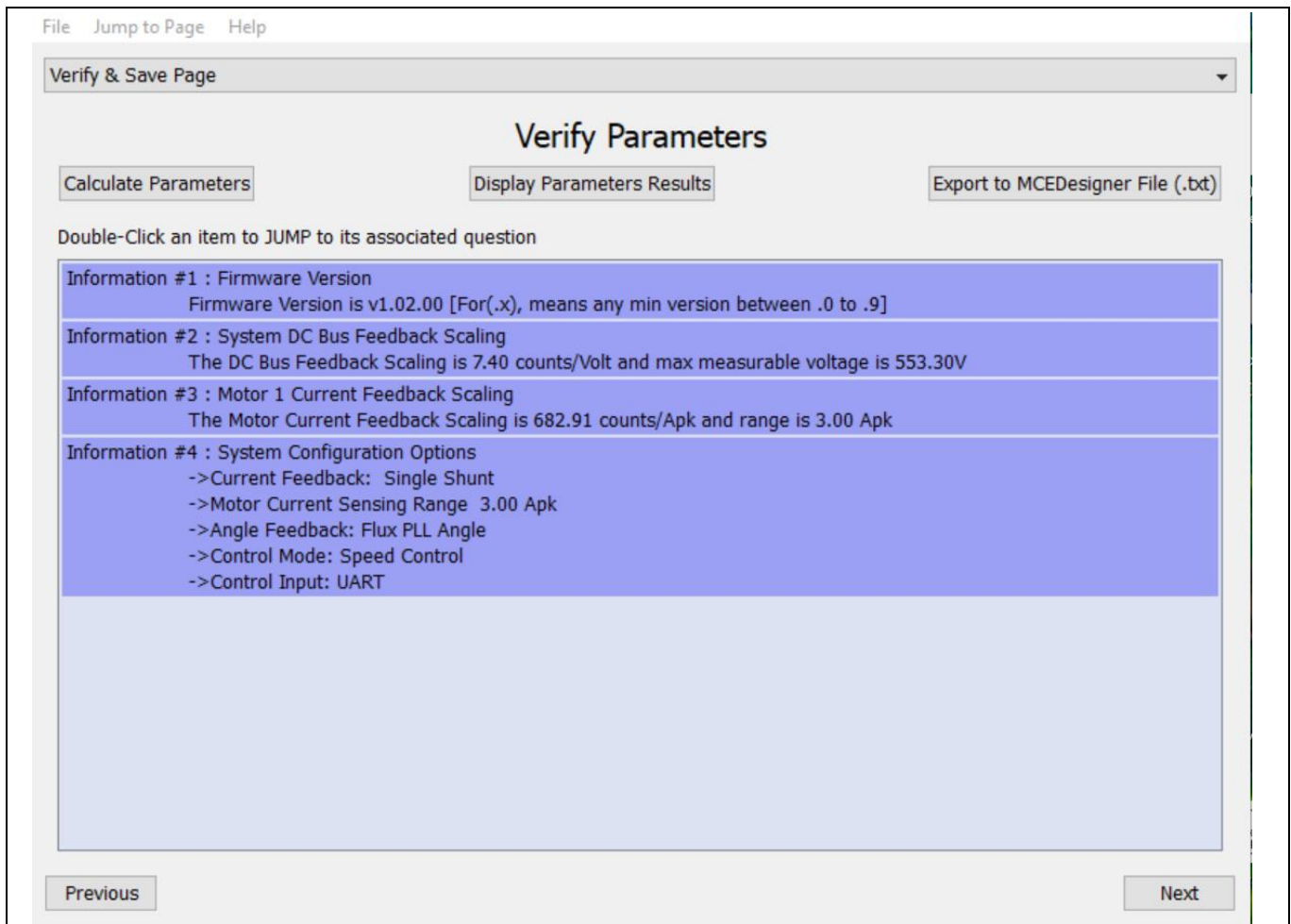


Figure 7 MCEWizard verify and save page

2.1.4 Open-loop diagnostic

Double click the “VF Diagnostic” function in motor1 page, and monitor the motor current with oscilloscope. If the motor current is not sinusoidal, change the TargetSpeed and Vd_Ext in VF Diagnostic sub-function, then double click “VF Diagnostic,” until the oscilloscope shows a steady sinusoidal current, with an amplitude of 30~50% motor rate current.

Double click “Iu & Iv_Slow” in System page - Monitor Definitions. The motor current feedback should be very clean and sinusoidal, as shown in Figure 8; otherwise please tune “Gating Propagation Delay & Phase Shift Window Size” in MCE Wizard.

“VF Diagnostic” sub-function can verify whether:

- the motor is connected correctly
- the power stage works as expected
- current-sensing related parameters are correctly configured
- the PCB layout and DC bus decoupling has been done correctly

After the “VF Diagnostic” is done, click STOP button (the red traffic light button) or run “Stop Motor” function to stop the motor.

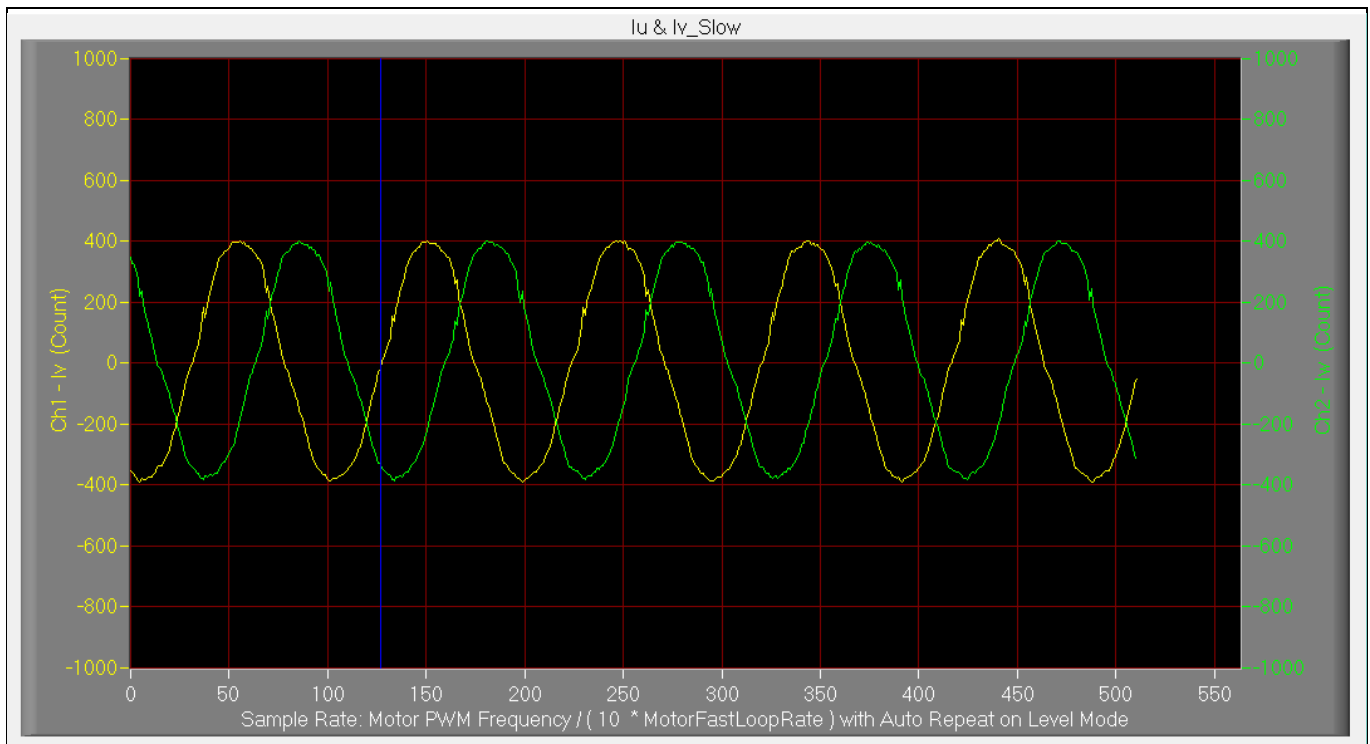


Figure 8 Trace waveform for Iu & Iv open loop diagnostic

2.1.5 Closed-loop run

If the VF Diagnostic works correctly, the hardware circuit and signal sampling will work normally, at which point you can try to run the motor in a closed-loop mode. The steps are listed below.

1. Start the motor by clicking the green traffic light button in the control bar (or double-click “Start Motor” function on Motor1 page, which is in the group of user application function definitions). The motor will run if the above step works well.
2. Check the motor spin direction, adjust the motor winding’s connection order, or set negative TargetSpeed in MCE Designer if the direction is wrong.
3. Set TargetSpeed to about 50% of maximum speed, start “Iu & Flx_M” trace with “Auto Repeat On Level,” see Figure 9. Flx_M is good within the range of 2000~2500 (rated value is 2048), and must be steady and DC-like.

Here are some key tips for better motor-performance tuning:

- If Flx_M is not steady (swing or oscillation), the motor parameters, speed loop PI gain, flux Estimator time constant and PLL PI bandwidth (parameters PLLKp & PLLKi) and related setup need to be checked.
- If Flx_M is very noisy, the current feedback and V_{dc} -related hardware and parameters need to be checked.
- If Flx_M does not come close to 2048, the “Motor Back EMF Constant (Ke)” needs to be adjusted in MCE Wizard.

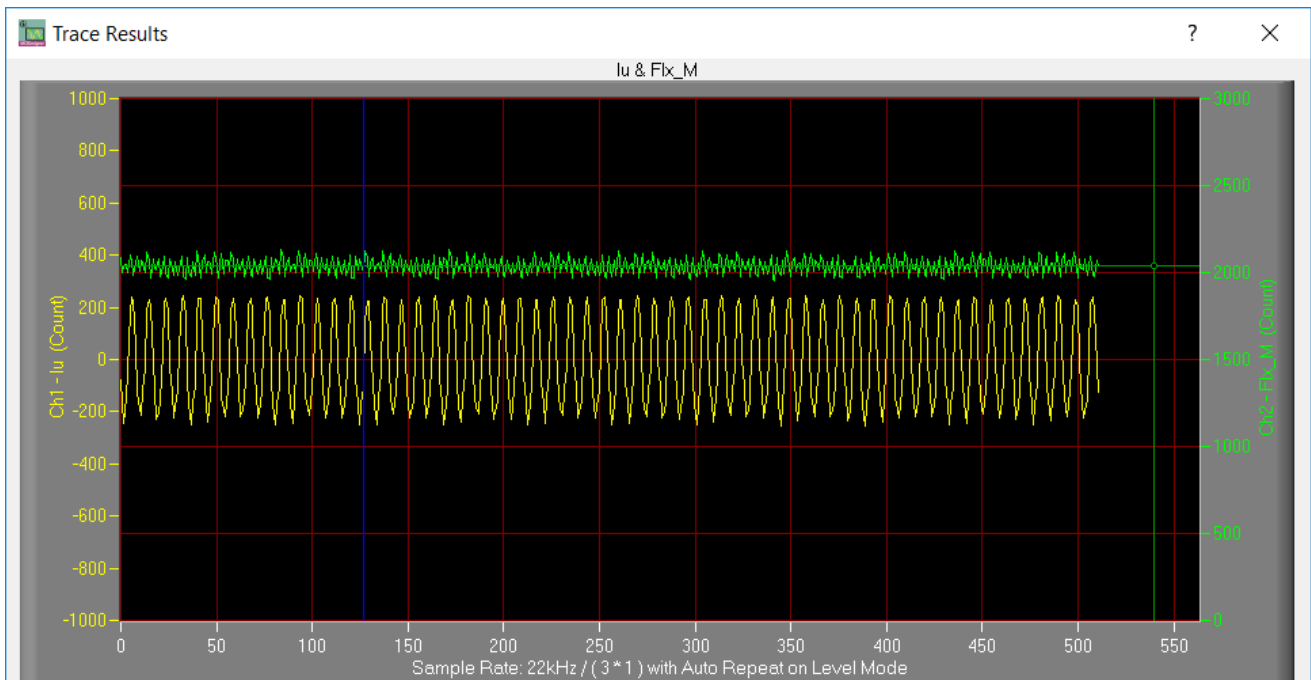


Figure 9 Trace waveform for Iu & Flx-M at 50% Speed

- Once the firmware has been programmed, and a new parameter file has to be programmed, follow the same instructions given in 2.1.3. In this case, the firmware programming is no longer needed, and you can select the first option “Program Parameters.”

Note: For detailed information on controller programming, refer to AN2018-33 iMOTION™ 2.0 Device Programming, MCEDesigner documentation and MCEWizard documentation.

2.2 Description of the functional blocks

2.2.1 Inverter section

The inverter section is implemented using the new generation IGBT RC-D2; its part number is IKD04N60RC2 ^[1]. 600 V RC-D2 is the successor of the RC-DF IGBT. The diode is monolithically integrated, which makes this technology suited for consumer drives. The current rating of the diode was optimized in order to make this product even more competitive in terms of price and performance. The RC-D2 is also the first IGBT family to introduce the SOT-223 package. This package further improves the price due to its smaller size, and is pin-to-pin compatible and replaceable with the DPAK package, fitting the same footprint.

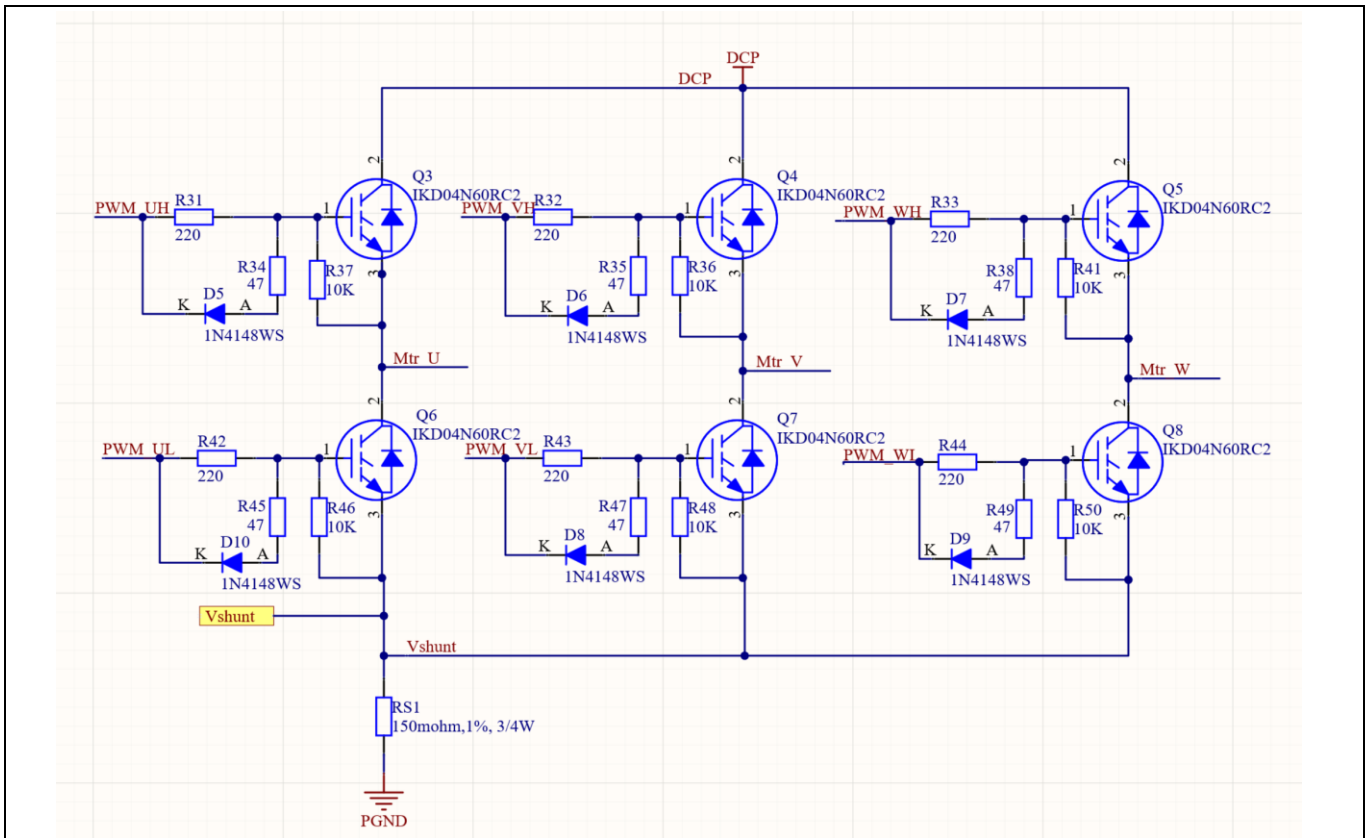


Figure 10 Inverter section circuit

2.2.2 Gate driver

6EDL04N60PT is a three-phase gate driver with overcurrent (OCP), enable (EN), fault and integrated bootstrap diode (BSD). It is based on the SOI technology, which means there is an excellent robustness in terms of transient voltages.

The configuration of the 6EDL04N60PT is depicted in Figure 11. For more details, please refer to the reference material ^[2].

VCC (pin 1) is the power supply of the 6EDL04N60PT, which provides power to both logic input and to low-side output power stage. It is recommended to place C40 near pin1, and its value should exceed C12/C14/C26.

EN (pin 10) is directly pulled up by a resistor, so the IC is always enabled on the board.

FAULT pin (pin 8) is connected to the GK pin of the controller IMC101T-T038. When the overcurrent protection (Itrip, pin 9) is triggered, the FAULT pin will be pulled down so that the IMC101T-T038 will receive the fault signal. Please refer to section 2.2.4 for more information about the overcurrent protection.

RCIN (Pin 11) input/output pin is used to determine the reset time of the fault condition ^[2].

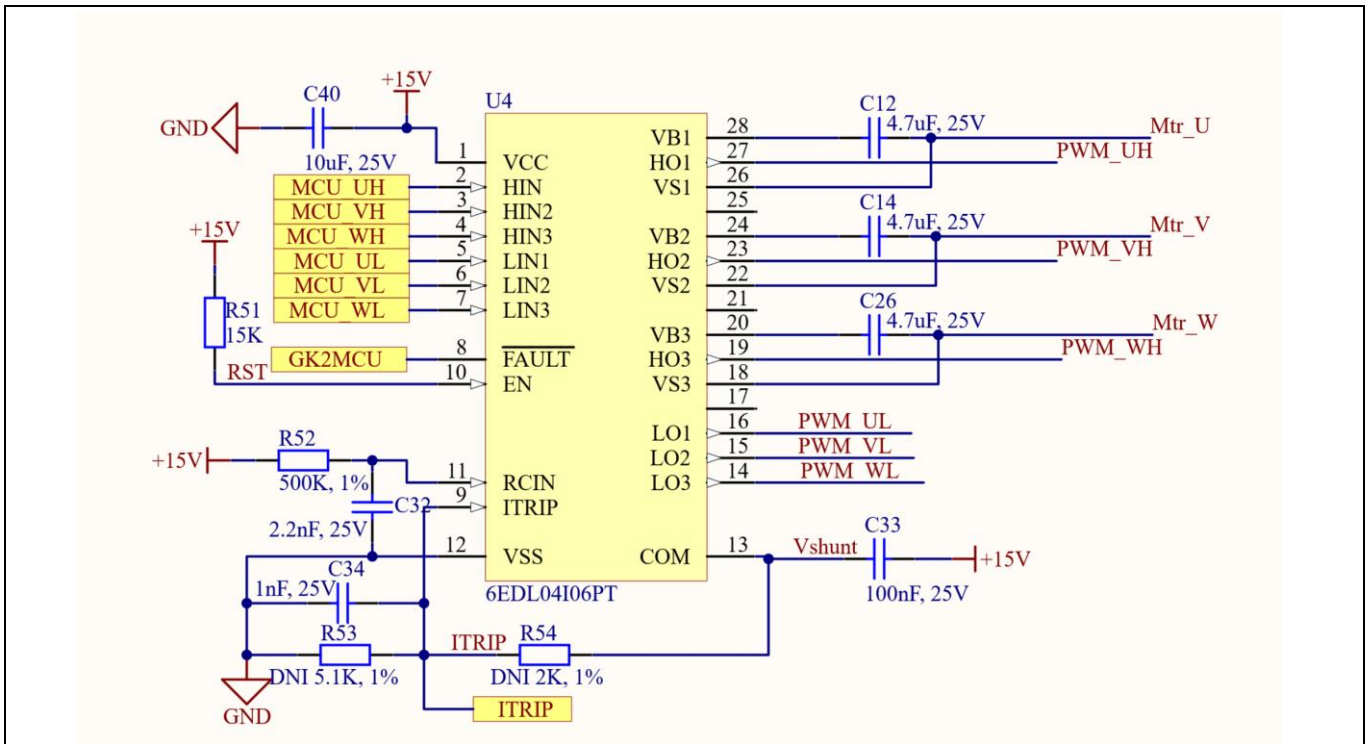


Figure 11 Gate driver part

2.2.3 DC bus sensing and MCEWizard configuration

Figure 12 provides the DC bus sensing resistor details on the reference design.

The high-side resistors are 2 MΩ and the low-side resistor is 13.3 kΩ. The default DC bus-sense voltage results in a range of 0 to 3.3 V on the ADC input reflecting a range of 0 to 500 V.

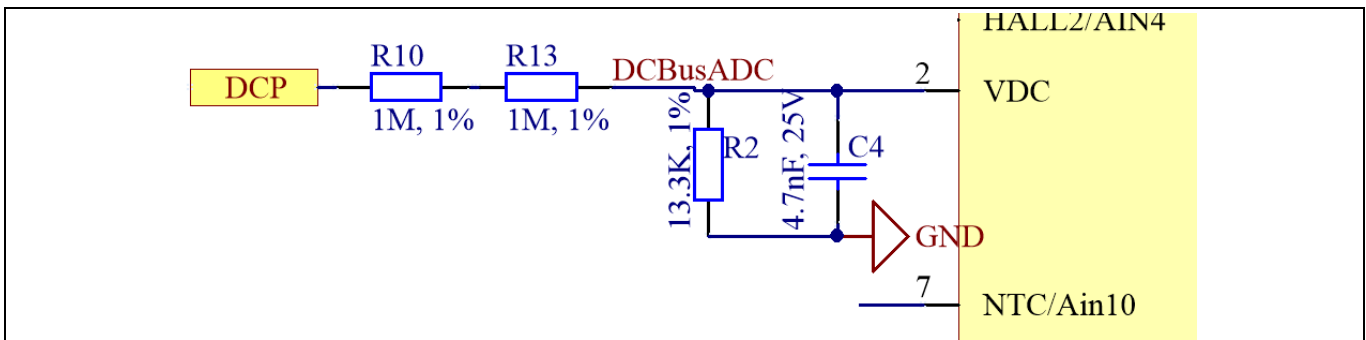


Figure 12 DC bus sensing part

The hardware parameters need to be configured in MCEWizard as show in Figure 13.

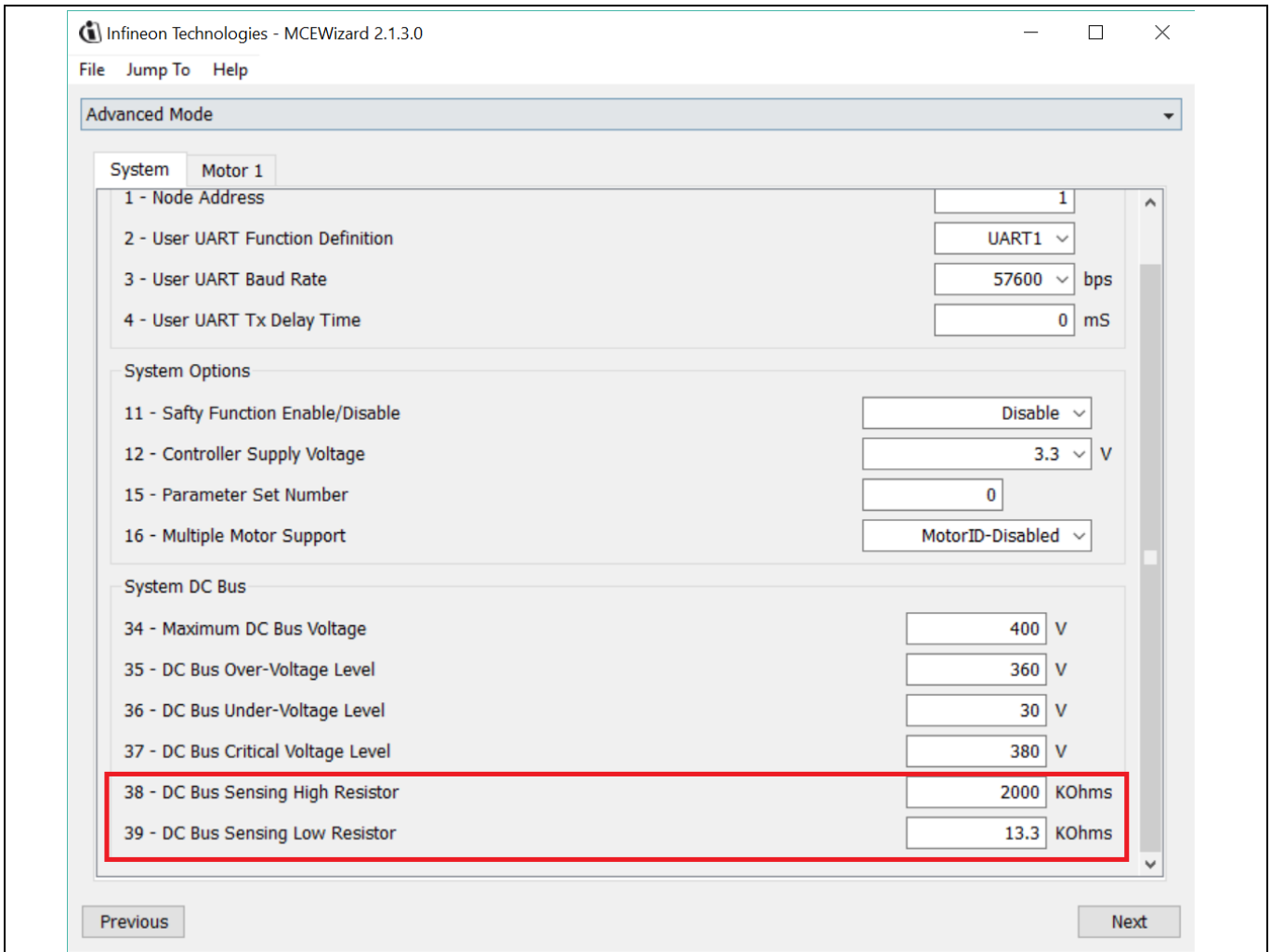


Figure 13 DC bus sensing configuration in MCEWizard

The time constant of the V_{dc} sensing low pass filter is $((R10 + R13) // R15) * C4 = (2 \text{ M}\Omega // 13.3 \text{ k}\Omega) * 4.7 \text{ nF} = 62.1 \mu\text{s}$. C17 can be adjusted to higher capacitance for clean V_{dc} sensing.

2.2.4 Current sensing and overcurrent protection

2.2.4.1 Current sensing

The current sensing on this board uses only the RC network for operational bias and low pass filter to minimize the cost. No additional operational amplifier is needed.

Based on the principle of Kirchhoff's voltage law, and assuming the AD port input impedance is infinite, you obtain the equation below:

$$V_{ADC} = \frac{(V_{cc} - V_{shunt})}{R_1 + R_2} * R_1 + V_{shunt}$$

The equation can be transformed to two parts as shown here:

$$V_{ADC} = \frac{R_2 * V_{shunt}}{R_1 + R_2} + \frac{R_1 * V_{cc}}{R_1 + R_2}$$

The impedance of the RC network is much larger than the R_{shunt} , so it can be assumed that:

System and functional description

$$V_{shunt} = I_{shunt} * R_{shunt}$$

V_{ADC} can then be written as:

$$V_{ADC} = \frac{R_2}{R_1 + R_2} * R_{shunt} * I_{shunt} + \frac{R_1 * V_{cc}}{R_1 + R_2}$$

Where $\frac{R_1 * V_{cc}}{R_1 + R_2}$ is the offset, and $\frac{R_2}{R_1 + R_2} * R_{shunt}$ is the gain of the shunt current.

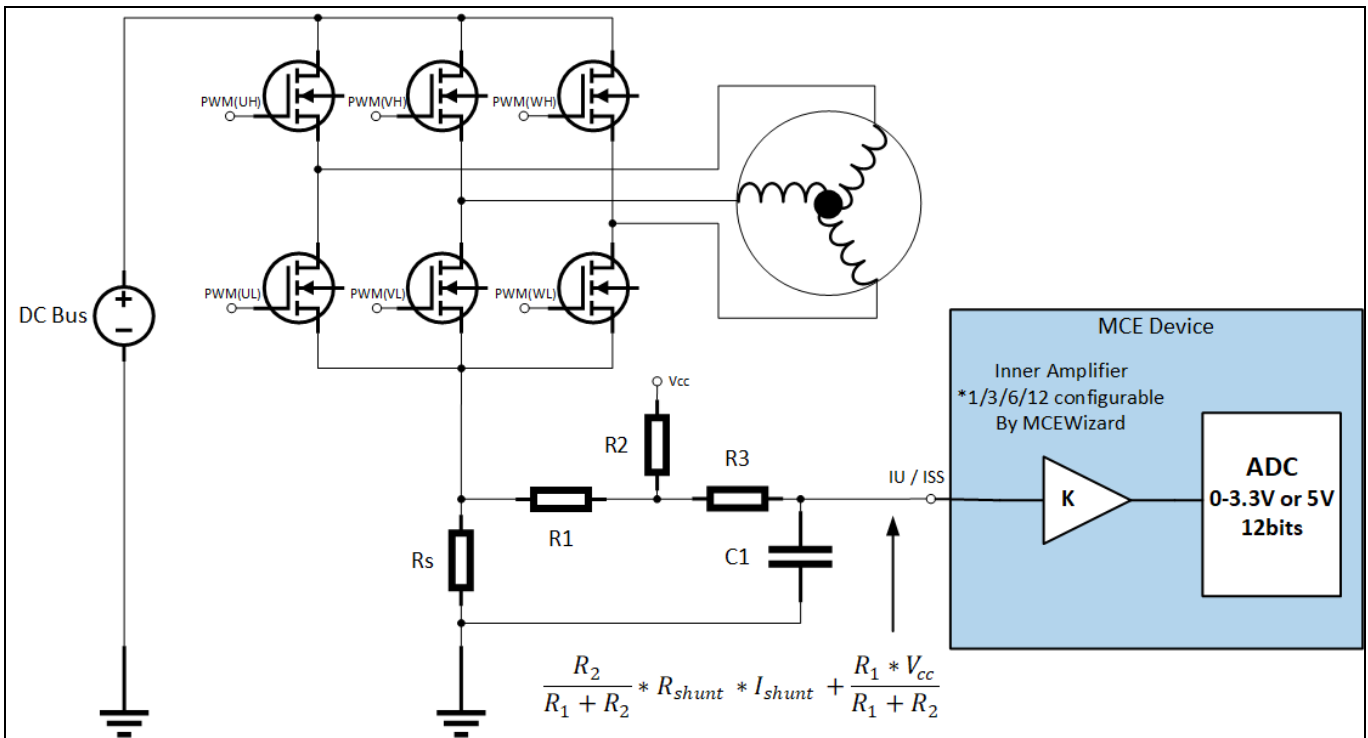


Figure 14 Current-sensing topology

As an example, this board has the following values:

R1 = R20 = 2 kΩ, R2 = R8 = 22.1 kΩ, V_{cc} = 3.3 V, offset = 0.274 V, gain = $\frac{R_2}{R_1 + R_2} * R_{shunt} = 137.6$ mV/A.

Note the following points concerning current sampling:

- R8 & R20 also determine the ADC operational bias for current sensing, which corresponds to the motor regeneration operation range. For those applications that do not work at regenerative brake mode, the bias can be as low as possible to reserve enough ADC range for the drive mode, since negative current to DC bus does not occur.
- Since the gain of the external RC circuit is less than 1, internal signal amplification is required to increase the ADC input voltage range with the lower shunt value. If a larger shunt is chosen, the power loss and size are both larger. MCE provides an inner current sampling amplifier with *1, *3, *6 and *12 gain selections, which can be configured in the MCEWizard.
- There is no common-mode noise-rejection ability without an outer operational amplifier, so the GND network of the PCB needs to be dealt with very carefully, since any voltage difference between IMC101T’s ADC ground and shunt resistor ground will be considered as an “input signal,” and will deteriorate control performance or increase audible noise.

REF_Fridge_C101T_6ED user guide

Refrigerator compressor driver reference design kit

System and functional description

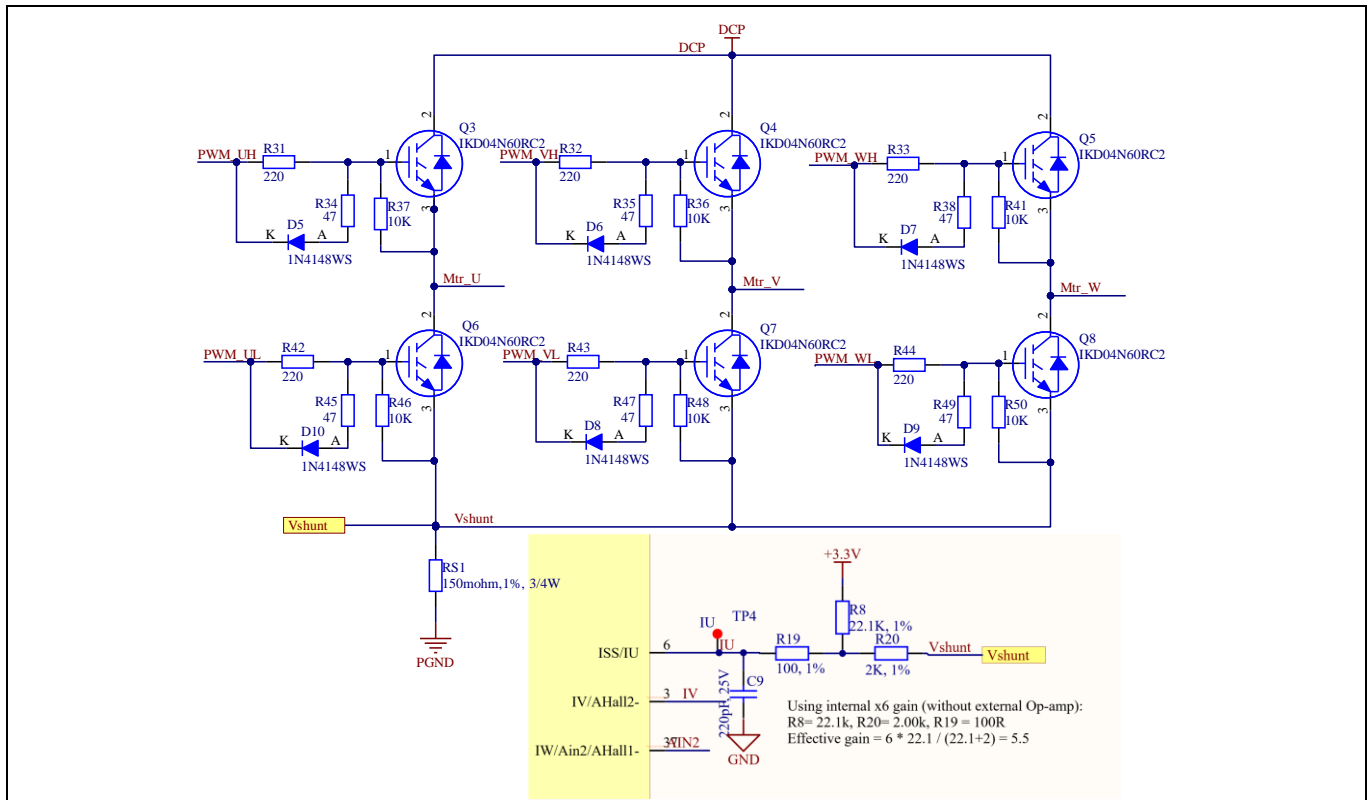


Figure 15 Current-sensing circuit on the board

2.2.4.2 Overcurrent protection

The overcurrent condition can be detected by IMC101T by the two input sources, as shown in Figure 16.

- Internal comparator in the IMC101T
- Trigger ITRIP pin on the 6EDL04I06PT to shut down the inverter; the fault signal will transfer to the IMC101T by GK pin, active low

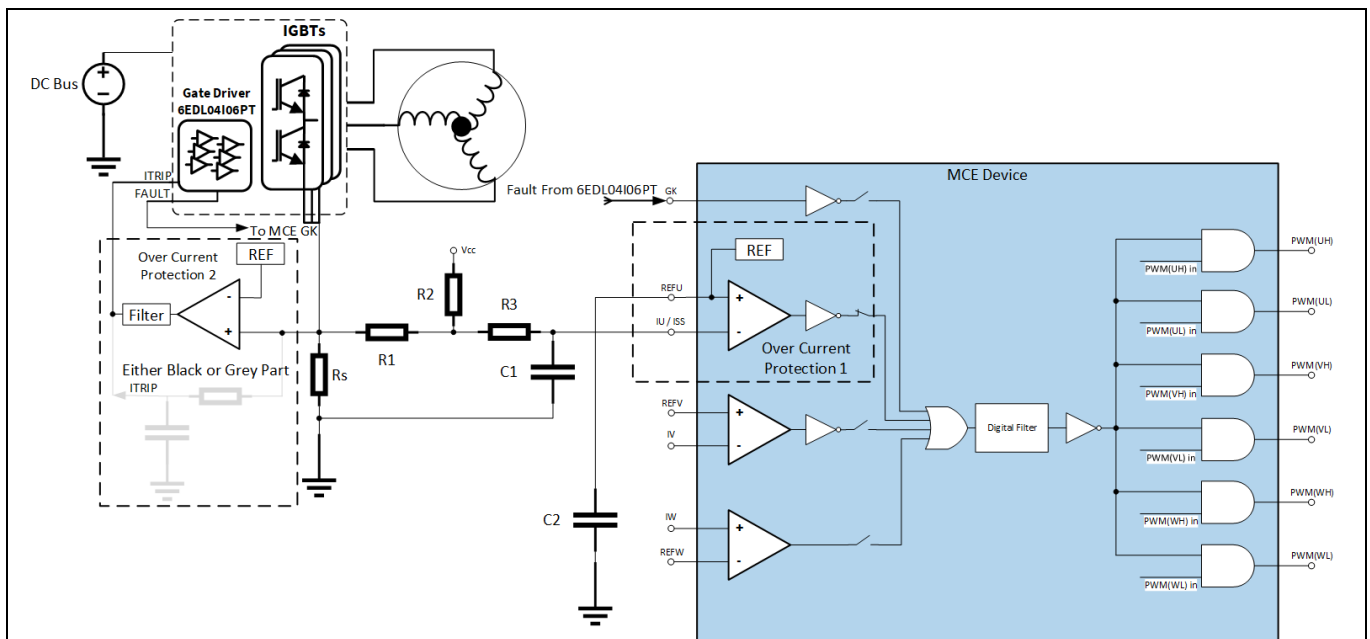


Figure 16 Overcurrent protection on the board

REF_Fridge_C101T_6ED user guide

Refrigerator compressor driver reference design kit

System and functional description

For more details on overcurrent protection (OCP) in the IMC101T, refer to the chapter on motor overcurrent protection in the reference material [8].

1. Internal comparator in the IMC101T

The internal comparator's reference level is set by the internal DAC. The level can be set in the MCEWizard by "Device Overcurrent trigger level setting for Comparator" and "Motor1 Current Input to ADC Offset Voltage." The DAC output pin REFU needs to be connected to a capacitor; 10 nF/16 V is used on the board.

2. Trigger ITRIP pin on the 6EDL04I06PT; the fault signal will transfer to the IMC101T by GK pin

The board has designed two ways to trigger the ITRIP pin of the gate driver, and users can select either one to achieve overcurrent protection.

- Trigger by the comparator U5
- Directly trigger from shunt

Figure 17 shows the ITRIP trigger level, which is typically 0.445 V, positive logic. Figure 18 indicates that the inner filter time of the ITRIP signal is 500 ns.

ITRIP positive going threshold	$V_{IT,TH+}$	380	445	510	mV
ITRIP input hysteresis	$V_{IT,HYS}$	45	70		

Figure 17 6EDL04I06PT ITRIP threshold specification

Shutdown propagation delay ITRIP	t_{TRIP}	400	670	1000	$V_{ITRIP}=1V$
Input filter time ITRIP	$t_{TRIPMIN}$	155	230	380	
Propagation delay ITRIP to FAULT	t_{FLT}	-	420	700	

Figure 18 6EDL04I06PT ITRIP dynamic parameters' specification

Short circuit withstand time $V_{GE} = 15.0V, V_{CC} \leq 400V$ Allowed number of short circuits < 1000 Time between short circuits: $\geq 1.0s$ $T_{vj} = 150^{\circ}C$	t_{SC}	3	μs
--	----------	---	---------

Figure 19 IKD04N60RC2 short-circuit withstand time

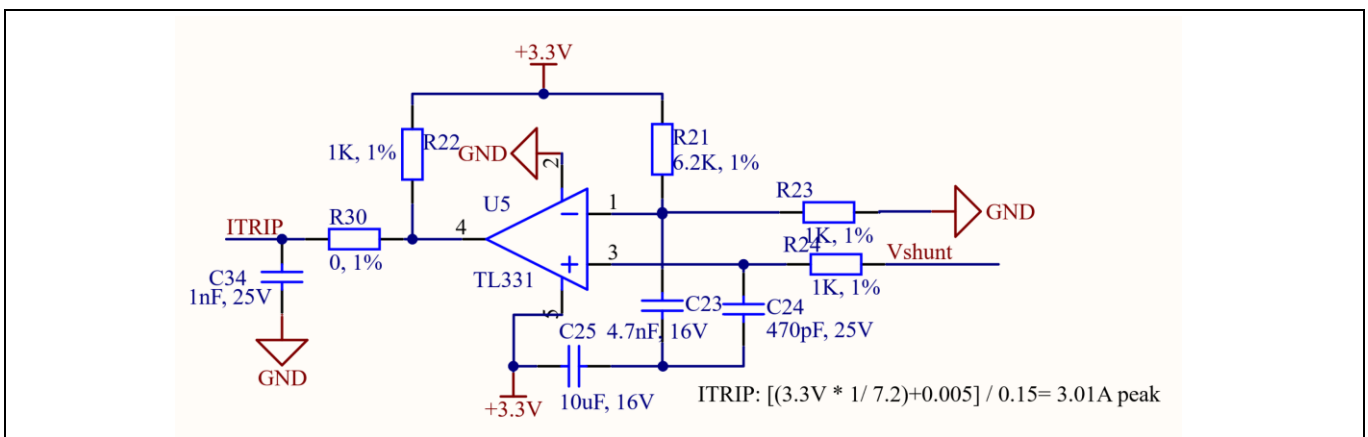


Figure 20 Default current-protection circuit to ITRIP of gate driver

System and functional description

The default protection circuit on the board is the one triggered by the comparator; it is a more flexible way to set the reference voltage. On this board, we set the voltage as $3.3\text{ V} * \frac{1\text{ k}\Omega}{6.2\text{ k}\Omega + 1\text{ k}\Omega} = 0.458\text{ V}$; the shunt resistor on the board is $150\text{ m}\Omega$, i.e., the theoretical protection value is 3.05 A peak. The reference voltage can be easily adjusted by the divider resistor.

On the board, $R24 = 1\text{ k}\Omega$, $C24 = 470\text{ pF}$; the filter time constant is $RC = 1\text{ k}\Omega * 470\text{ pF} = 470\text{ ns}$; output part $R22 = 1\text{ k}\Omega$, $C34 = 1\text{ nF}$; the filter time constant is $RC = 1\text{ k}\Omega * 1\text{ nF} = 1\text{ }\mu\text{s}$. The total delay time is about $1.5\text{ }\mu\text{s}$.

Figure 21 shows the waveform of the comparator. CH1 is the shunt voltage and CH2 probe the ITRIP pin of the gate driver. The ITRIP signal's rising time (from 0 to 63.2%, 0 - 2.08 V) is approximately $0.95\text{ }\mu\text{s}$, which is close to the theoretical value of $1\text{ }\mu\text{s}$, and the ITRIP trigger level is only 0.445 V . Therefore, the total response time of the comparator is about $1\text{ }\mu\text{s}$, plus the added propagation delay time of $1.38\text{ }\mu\text{s}$ seen in Figure 18, which equals a total time of about $2.4\text{ }\mu\text{s}$. That is only 80% of the short-circuit withstand time of $3\text{ }\mu\text{s}$ as shown in Figure 19.

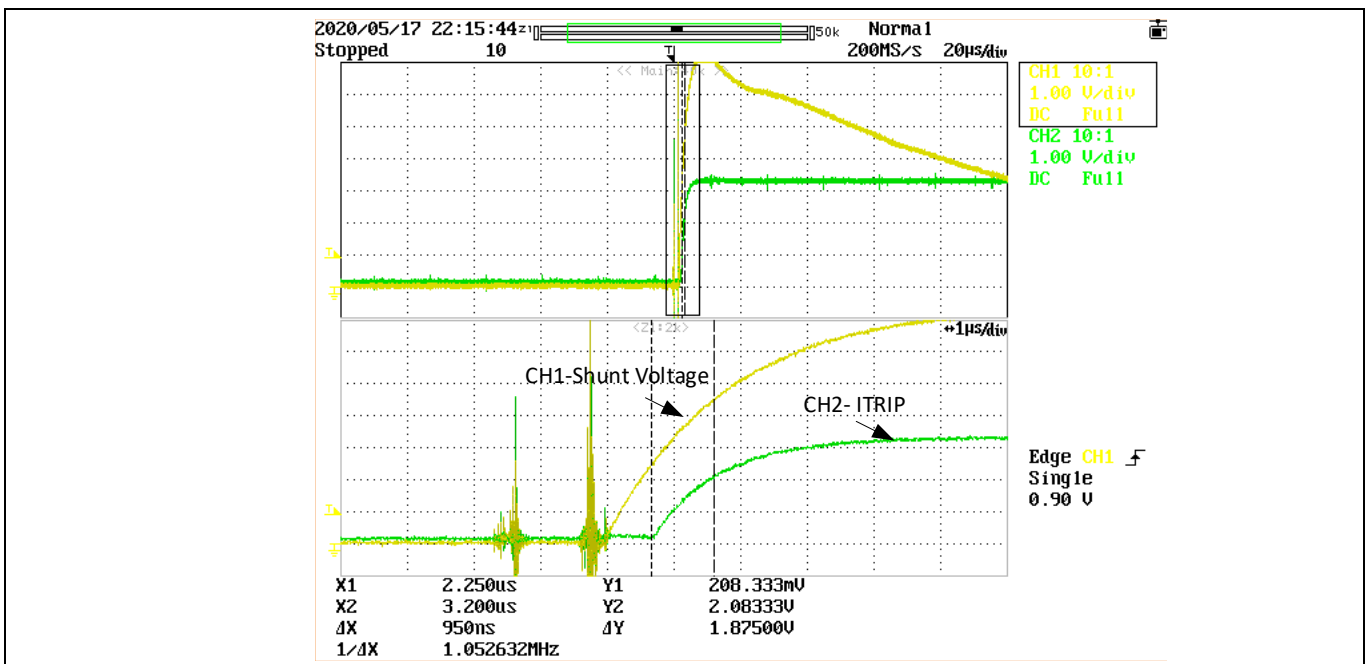


Figure 21 Dynamic response of the protection circuit with comparator

Another way to trigger the ITRIP is to directly connect the shunt to the ITRIP as indicated in Figure 22. The output of the comparator needs to be disconnected by removing $R30$; and $R54$ needs to be soldered. If $R54 = 1\text{ k}\Omega$, the RC filter time constant will equal the RC, which is $1\text{ }\mu\text{s}$. Figure 22 shows the test waveform.

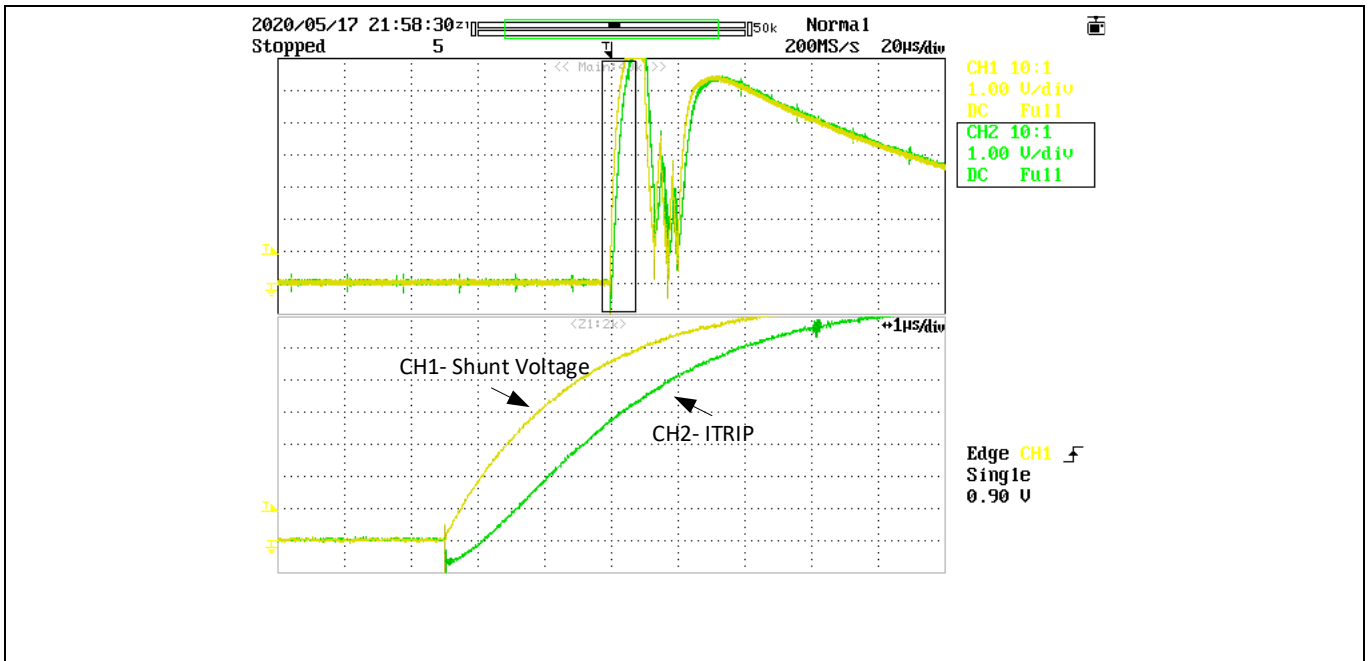


Figure 22 Dynamic response of the protection circuit when directly connecting to shunt

2.2.5 NTC sensing and thermal protection

Pin 7 of IMC101T-T038 is the ADC port dedicated to NTC temperature sampling. On the board, an NTC is connected to the ADC channel by the circuit shown in Figure 23. The position of the NTC on the board is shown in Figure 24.

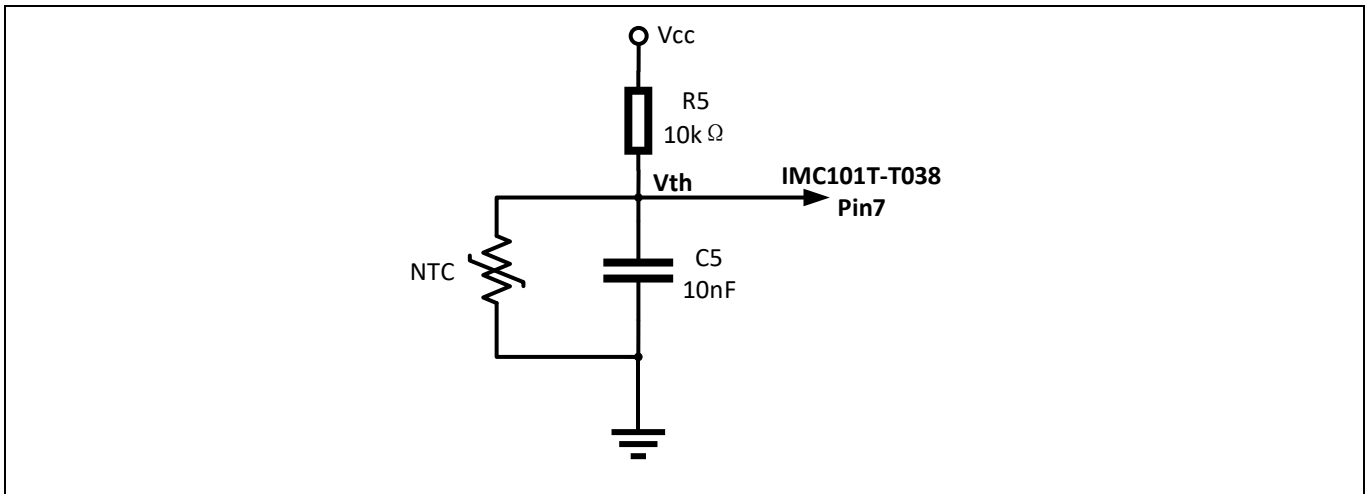


Figure 23 NTC sensing circuit

The parameters of the NTC are: B-constant = 4050 K ± 1%, $R_{25} = 47\text{ k}\Omega \pm 1\%$. Based on the typical value of the thermistor resistance, the voltage of the V_{th} can be obtained in Table 4.

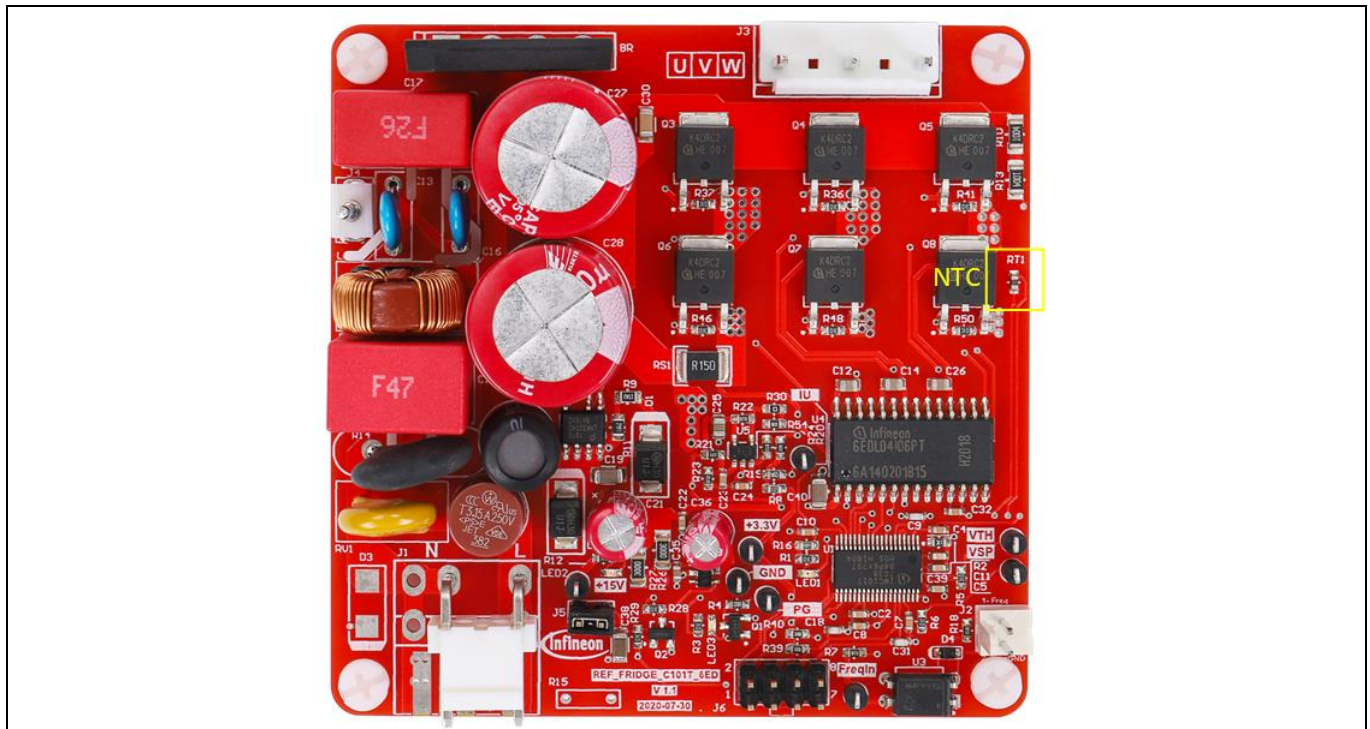


Figure 24 NTC position on the board

Table 4 Thermistor characteristics with $V_{cc} = 3.3\text{ V}$

Temperature (°C)	Resistance, typical (kΩ)	V _{th} (V)	Vth register value
15.00	75.31	2.91	3611
20.00	59.25	2.82	3499
25.00	47.00	2.72	3375
30.00	37.57	2.61	3239
35.00	30.25	2.48	3077
40.00	24.52	2.34	2904
45.00	20.01	2.2	2730
50.00	16.43	2.05	2544
55.00	13.58	1.9	2358
60.00	11.28	1.75	2172
65.00	9.42	1.6	1985
70.00	7.92	1.46	1812
75.00	6.68	1.32	1638
80.00	5.67	1.19	1477
85.00	4.83	1.07	1328
90.00	4.13	0.96	1191
95.00	3.55	0.86	1067
100.00	3.06	0.77	956
105.00	2.65	0.69	856
110.00	2.31	0.62	769

System and functional description

The firmware inside the IMC101T integrates the over-temperature protection device, which will be triggered by the voltage V_{th} . Simply set the proper trigger level in the MCEWizard. More information can be found in the over-temperature protection section of the reference material [8].

2.3 Frequency signal interface

Since current refrigerator applications mainly use frequency signals to control the compressor speed, the board is designed with a frequency signal interface. Figure 25 shows the interface circuit. The input signal is isolated from the control and power parts on the board.

The board has two types of input interface:

- Square wave interface (default, remove the D3, R15)
- AC 220 V as the control input (you need to remove R18, and install D3, R15)

The first type is a more common signal type, while the second is used less often.

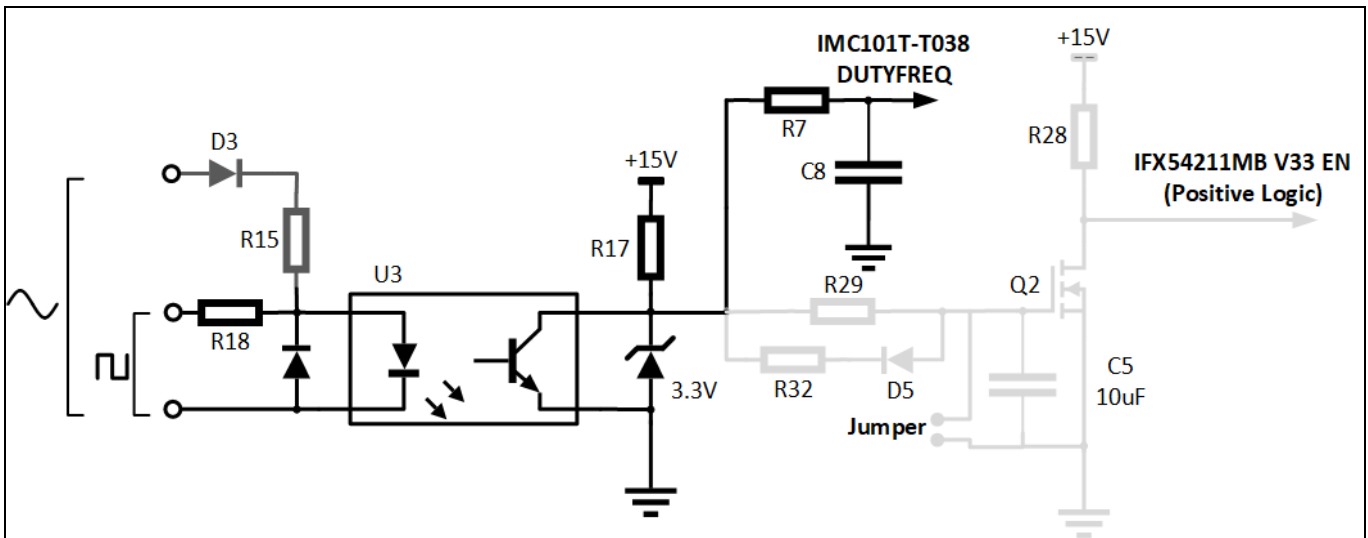


Figure 25 Frequency interface circuit

The optocoupler output is pulled up to 15 V, because the board uses the output signal to control the linear voltage regulator IFX54211MB V33. If this function is not needed, the user can use the 3.3 V/5 V to pull up. The grey part of the circuit is used to control the enable/disable of the linear voltage regulator, which can be disabled when there is no control signal input. Details are provided in Section 2.4.

A typical square wave input signal for refrigerator applications is shown in Table 5 for reference.

Table 5 Typical frequency/speed characteristics

Signal frequency f_n (Hz)	Motor speed n (RPM)
$f_n < 30$	Stop
$30 \leq f_n < 40$	Minimum speed
$40 \leq f_n < 150$	$30 * f_n$
$150 \leq f_n < 200$	Maximum speed
$f_n \geq 200$	Stop

2.4 Linear voltage regulator and control

Considering the requirements for standby power consumption in refrigerator applications, the board selects a linear power supply with an enable function. The part number of this linear voltage regulator is IFX54211MB V33, which is also an Infineon product. On the board, we have designed the circuit to transfer the frequency signal to the enable (EN) signal, as shown in Figure 26. If you do not need this function, jump the jumper J5 on the board so that the linear voltage regulator is always on Enable.

Here is a brief explanation of the principle of the circuit: the enable signal of IFX54211MB V33 is positive logic, which means high-level input enables the 3.3 V output. If there is no frequency signal input, the gate drive voltage of Q2 is high, which means the Q2 is on, the enable signal is low so that the LDO of 3.3 V is disabled. If there is a frequency signal input, the charge in the capacitor C5 will discharge through the D5-R32-U3 during the high level input, and charge through R27, R29. When the voltage of capacitor C5 drops down to the gate threshold voltage of Q2, the Q2 will shut down, and the enable signal will be high, so the LDO of 3.3 V will be enabled.

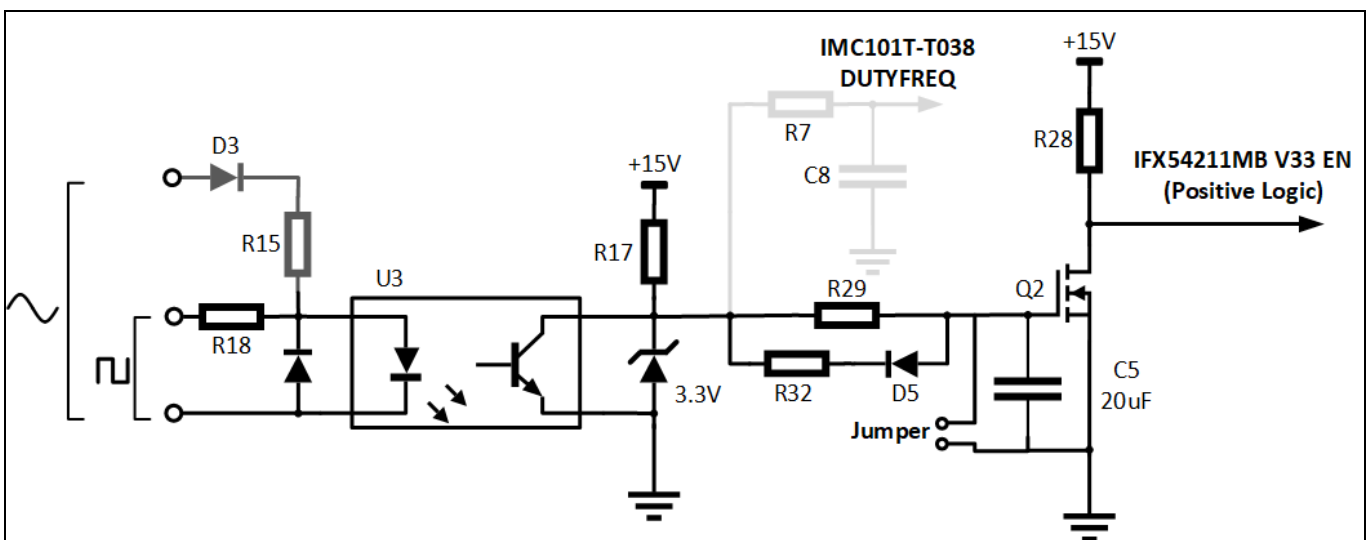


Figure 26 IFX54211MB V33 Enable function control circuit

3 Details of the schematics, layout, BOM and connectors

This section provides the complete details of the schematics, layout and connectors. Please note that the schematics, layout and gerber files are done in Altium designer. Customers who are interested in the original Altium format files or pdf files for better clarity can visit www.infineon.com.

3.1 Schematics

The major function blocks are introduced in Section 2.2. Customers who are interested in further details can download the design files after logging in their account on the Infineon webpage.

3.2 Layout

The board is designed in two layers, and its dimensions are 78 mm × 78 mm, manufactured with 1 oz. (35 μm) copper thickness. The project is designed with Altium Designer, and all design files can be downloaded after users log in their account on the Infineon webpage.

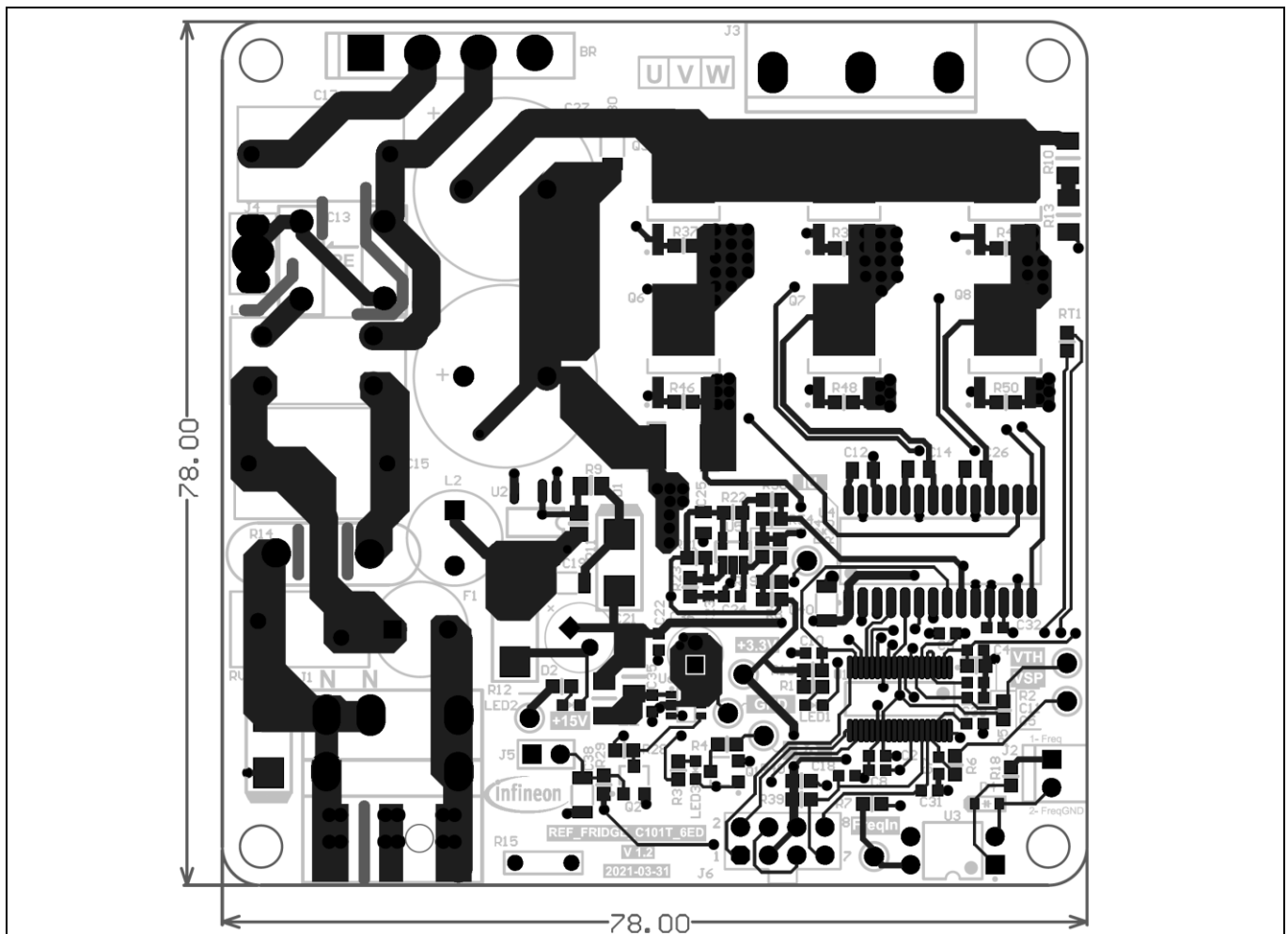


Figure 27 Top view of the board

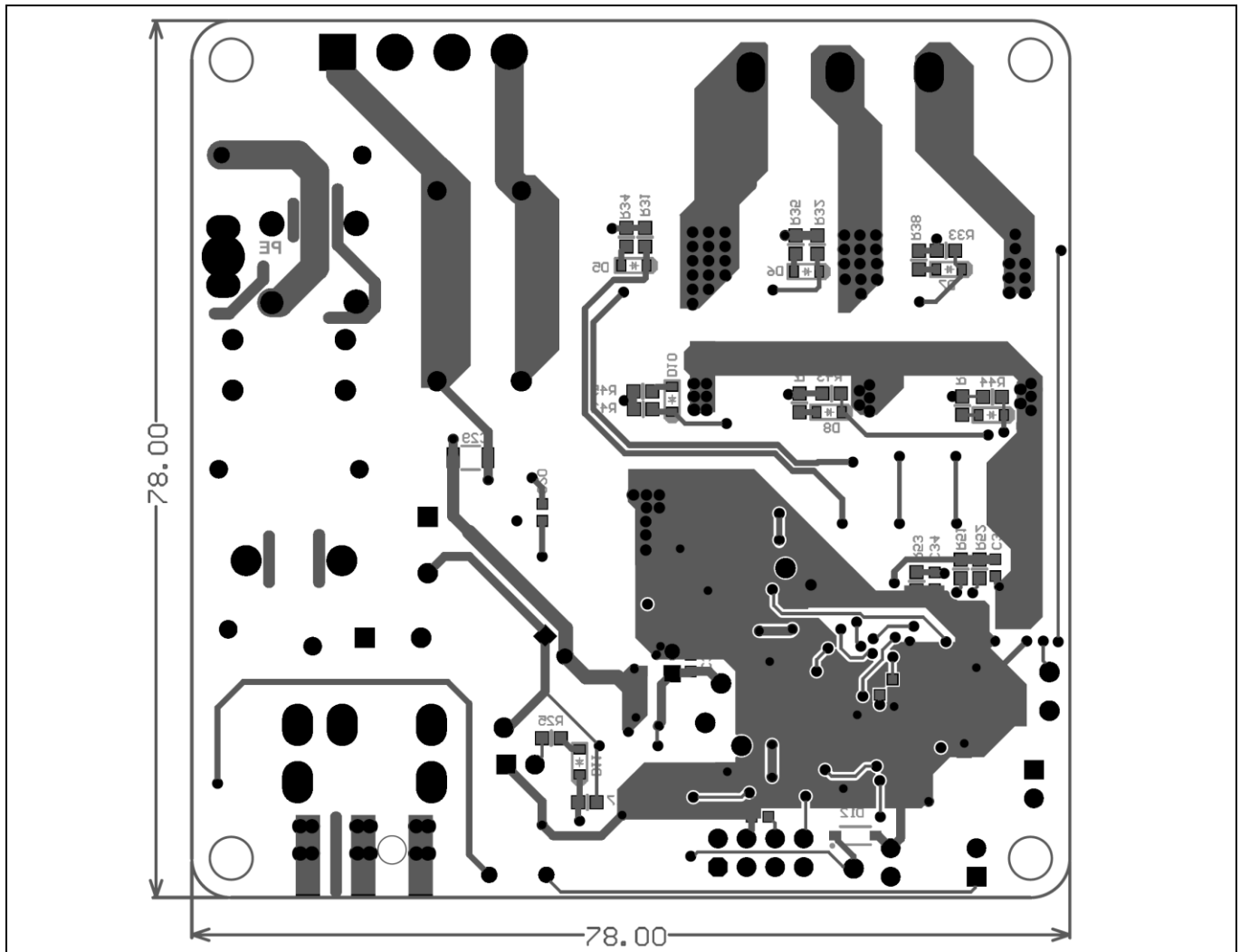


Figure 28 Bottom view of the board

Here are a few design tips to note for your reference.

- Thermal performance

Collectors of the IGBT are the terminals for directly connecting the lead frame. Maximizing the copper area of these pins could effectively reduce the IGBT junction temperature. Usually the IGBTs (Q4/Q7) have the highest case temperature at the center, so sufficient space for the copper should be left to ensure performance.

- Ground layout

Since current sampling is non-differential and without op-amp, the area should be carefully laid out; the digital ground should refer to the shunt ground to ensure that the sampling noise is correct.

3.3 Bill of material

The complete bill of material is available on the download section of the Infineon homepage. A log-in is required to download this material.

Table 6 The most critical parts of the reference board

S. No.	Ref designator	Description	Manufacturer	Manufacturer P/N
1	Q1, Q2	MOSFET N-CH 30 V 2.7 A SOT-23-3	Infineon Technologies	IRLML2030TRPBF
2	Q3, Q4, Q5, Q6, Q7, Q8	IGBT 600 V 8 A TO252-3	Infineon Technologies	IKD04N60RC2
3	U1	IC MOTOR DRIVER 3V-5.5 V TSSOP-38	Infineon Technologies	IMC101TT038XUMA1
4	U4	IC GATE DRVR HALF-BRIDGE DSO28	Infineon Technologies	6EDL04I06PTXUMA1
5	U6	IC REG LINEAR 3.3 V 150 mA SCT595	Infineon Technologies	IFX54211MBV33
6	C15	WCAP-FTX2 Film Capacitors, 15x10x16 mm, 275 V AC, 470 nF	Würth Elektronik	890324024005
7	C17	WCAP-FTX2 Film Capacitors, 15x8.5x14 mm, 275 V AC, 330 nF	Würth Elektronik	890324024003
8	C27, C28	WCAP-AT1H THT Aluminum Electrolytic Capacitors, D16 mm x L35.5 mm, 100 µF, +/- 20%, 450 VDC	Würth Elektronik	860241480001
9	L1	WE-CMB Common Mode Power Line Choke, Type XS, 4 mH, 1.5 A, 250 V	Würth Elektronik	744821240
10	RV1	WE-VD Disk Varistor, size 10 mm, 300 V _{rms} , 385 Vdc	Würth Elektronik	820513011

3.4 Connector details

Table 7 J1- AC Line connector

PIN	Label	Function
1	L	AC line input
2	N	AC neutral input
3	N	AC neutral input

Table 8 J2- Frequency input signal connector

PIN	Label	Function
1	Frequency input	Frequency input signal, isolated by optocoupler
2	Frequency ground	Frequency input signal ground, isolated by optocoupler

Table 9 J3- Motor-side connector

PIN	Label	Function
1	U	Connected to motor phase U
2	V	Connected to motor phase V
3	W	Connected to motor phase W

Table 10 J4- Earth connector

PIN	Label	Function
1	Earth	

Table 11 J5- Jumper

PIN	Label	Function
1	MOSFET's gate	Shorting pin 1 and 2 will enable 3.3 V directly, otherwise 3.3 V is controlled by frequency signal.
2	Ground	

Table 12 J6- iMOTION™ Link connector

PIN	Label	Function
1	TXD1	User UART for script communication
2	RXD1	User UART for script communication
3 & 6	+3.3V	On board 3.3 V supply
4 & 5	GND	Ground
7	RXD0	MCEDesigner & firmware download
8	TXD0	MCEDesigner & firmware download

System performance

4 System performance

4.1 Thermal characterization test

Figure 29 and Figure 30 show the thermal characterizations of REF_Fridge_C101T_6ED, based on 2 layers of FR4 PCB with 1 oz. copper.

The tests reported on were performed under the following conditions: $t_{amb}=25^{\circ}\text{C}$, $V_{ac}=220\text{ V}$, with different input power until the IGBT case reaches about 100°C , at two PWM frequencies (5 and 16 kHz), and 3-phase modulation mode only.

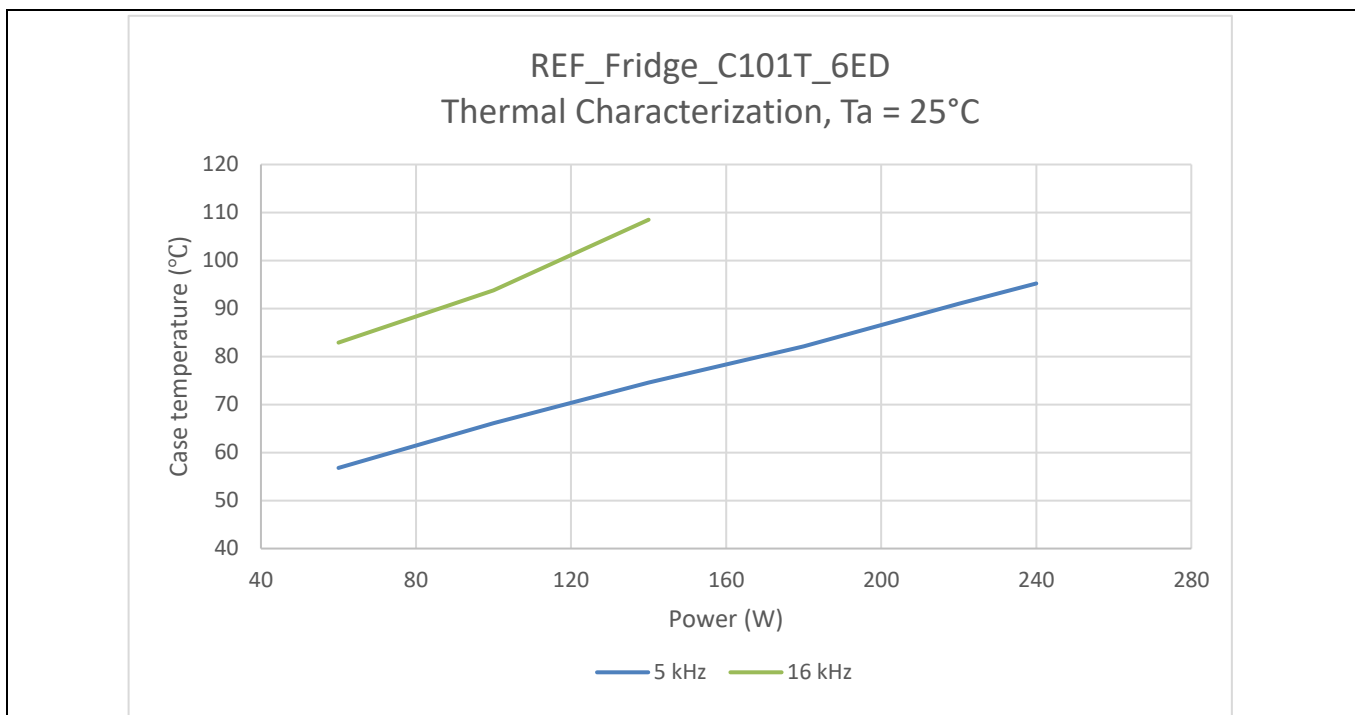


Figure 29 REF_Fridge_C101T_6ED thermal characterization case temperature - input power, $t_{amb} = 25^{\circ}\text{C}$

Table 13 Input power and current characterization

Input power (W)	60	100	140	180	220	240
Input current (A)	0.45	0.72	1.03	1.32	1.6	1.82

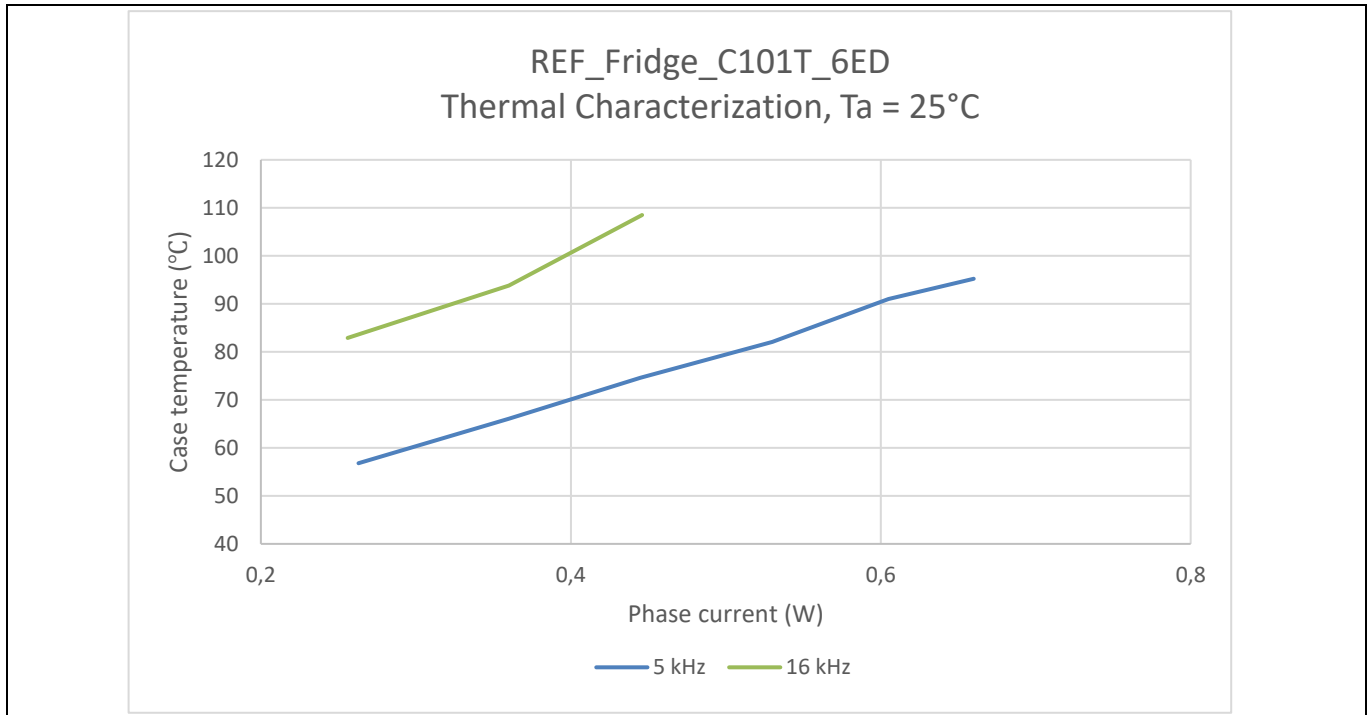


Figure 30 REF_Fridge_C101T_6ED thermal characterization, case temperature - motor phase current, $t_{amb} = 25^\circ\text{C}$

5 Reference and appendices

5.1 Abbreviations and definitions

Table 14 Abbreviations

Abbreviation	Meaning
BLDC	Brushless direct current motor
FOC	Field-oriented control
PMSM	Permanent magnet synchronous motor
RC-DF	Reverse conducting - drive fast
RC-D2	Reverse conducting - drive 2

5.2 Reference

- [1] Infineon Technologies AG. Datasheet of Infineon IKD04N60RC2 (2020). V2.1 www.infineon.com
- [2] Infineon Technologies AG. Datasheet of Infineon 6EDL04I06PT (2019). V2.7 www.infineon.com
- [3] Infineon Technologies AG. Datasheet of Infineon IMC101T-T038 (2019). V1.4 www.infineon.com
- [4] Infineon Technologies AG. Datasheet of Infineon IFX54211MB V33 (2015). V1.0 www.infineon.com
- [5] Infineon Technologies AG. Datasheet of IRLM2030TRPbF (2009) www.infineon.com
- [6] Infineon Technologies AG. MCEWizard_V2.3.0.0 User Guide (2019) www.infineon.com
- [7] Infineon Technologies AG. MCEDesigner_V2.3.0.0 Application Guide (2019) www.infineon.com
- [8] Infineon Technologies AG. iMOTION™ Motion Control Engine Software Reference Manual (2020) V1.3 www.infineon.com

5.3 Additional information

In order to initiate testing, customers are advised to order the iMOTION™ Link; the information is listed in Table 15.

The components from Infineon that are on the board are listed in Table 15 as well. Customers can visit the corresponding webpage for more information.

Table 15 Additional information of tools and Infineon's components

Base part number	Package	Standard pack		Orderable part number
		Form	Quantity	
iMOTION™ Link		Container	1	IMOTIONLINK
IMC101T-T038	PG-TSSOP-38-9	Tape and reel	3000	IMC101TT038XUMA1
6EDL04I06PT	PG-DSO-28	Tape and reel	1000	6EDL04I06PTXUMA1
IKD04N60RC2	PG-TO252-3	Tape and reel	2500	IKD04N60RC2ATMA1
IFX54211MB V33	PGSCT595	Tape and reel	3000	IFX54211MBV33HTSA1
IRLML2030TRPBF	SOT-23	Tape and reel	3000	IRLML2030TRPBF



Revision history

Revision history

Document version	Date of release	Description of changes
1.0	2021-04-16	First release
1.01 ¹	2023-01-11	Table 4 corrected

Trademarks

All referenced product or service names and trademarks are the property of their respective owners.

Edition 2021-04-16

Published by

Infineon Technologies AG

81726 Munich, Germany

© 2023 Infineon Technologies AG.

All Rights Reserved.

Do you have a question about this document?

Email: erratum@infineon.com

Document reference

UG-2021-22

For further information on the product, technology, delivery terms and conditions and prices please contact your nearest Infineon Technologies office (www.infineon.com).

WARNINGS

Due to technical requirements products may contain dangerous substances. For information on the types in question please contact your nearest Infineon Technologies office.

Except as otherwise explicitly approved by Infineon Technologies in a written document signed by authorized representatives of Infineon Technologies, Infineon Technologies' products may not be used in any applications where a failure of the product or any consequences of the use thereof can reasonably be expected to result in personal injury.