



Sensors > Position Sensors > Potentiometer Sensors > Cable Actuated Position Sensors > SM, MINI STRING POT SERIES



Cable Actuated Position Sensor Product Type: **SM, Mini String Pot Series**

Full Stroke Ranges: **63.5 – 635 mm [ 25 in ]**

Output Signal: **Voltage Divider (Potentiometric)**

Cable Actuated Position Sensor Accuracy: **.25 % of FS**

Repeatability: **.02 % of FS**

[All SM, MINI STRING POT SERIES \(4\)](#)

## Features

### Product Type Features

Cable Actuated Position Sensor Product Type	SM, Mini String Pot Series
---	----------------------------

### Signal Characteristics

Output Signal	Voltage Divider (Potentiometric)
---------------	----------------------------------

### Body Features

Cable Actuated Position Sensor Housing Material	Polycarbonate + Stainless Mounting Bracket
---	--

### Usage Conditions

Operating Temperature Range	-18 – 71 °C[0 – 160 °F]
-----------------------------	-------------------------

### Operation/Application

Resolution	Continuous Analog mm
------------	----------------------

### Industry Standards

IP Rating	IP50
Hazardous Area Approval	No

### Other

Full Stroke Ranges	63.5 – 635 mm[25 in]
Cable Actuated Position Sensor Accuracy	.25 % of FS



Repeatability	.02 % of FS
Encoder Drive	No
Measuring Cable	Nylon-Coated Stainless Steel

### Product Compliance

[For compliance documentation, visit the product page on TE.com>](#)

EU RoHS Directive 2011/65/EU	Compliant with Exemptions
EU ELV Directive 2000/53/EC	Compliant with Exemptions
China RoHS 2 Directive MIIT Order No 32, 2016	Restricted Materials Above Threshold
EU REACH Regulation (EC) No. 1907/2006	<p>Current ECHA Candidate List: JAN 2023 (233)</p> <p>Candidate List Declared Against: JUL 2019 (201)</p> <p>SVHC &gt; Threshold: Pb (2.6% in Brass Shaft)</p> <p><b>Article Safe Usage Statements:</b> Do not eat, drink or smoke when using this product. Wash thoroughly after handling. Recycle if possible and dispose of the article by following all applicable governmental regulations relevant to your geographic location.</p>

Halogen Content	Not Yet Reviewed for halogen content
Solder Process Capability	Not reviewed for solder process capability

#### Product Compliance Disclaimer

This information is provided based on reasonable inquiry of our suppliers and represents our current actual knowledge based on the information they provided. This information is subject to change. The part numbers that TE has identified as EU RoHS compliant have a maximum concentration of 0.1% by weight in homogenous materials for lead, hexavalent chromium, mercury, PBB, PBDE, DBP, BBP, DEHP, DIBP, and 0.01% for cadmium, or qualify for an exemption to these limits as defined in the Annexes of Directive 2011/65/EU (RoHS2). Finished electrical and electronic equipment products will be CE marked as required by Directive 2011/65/EU. Components may not be CE marked. Additionally, the part numbers that TE has identified as EU ELV compliant have a maximum concentration of 0.1% by weight in homogenous materials for lead, hexavalent chromium, and mercury, and 0.01% for cadmium, or qualify for an exemption to these limits as defined in the Annexes of Directive 2000/53/EC (ELV). Regarding the REACH Regulation, the information TE provides on SVHC in articles for this part number is based on the latest European Chemicals Agency (ECHA) 'Guidance on requirements for substances in articles' posted at this URL: <https://echa.europa.eu/guidance-documents/guidance-on-reach>

### Compatible Parts



## Also in the Series | MEAS SM



Cable Actuated Position Sensors(8)

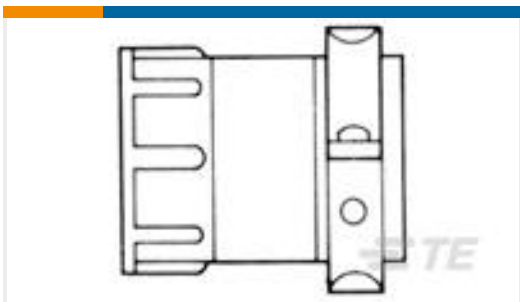
## Customers Also Bought



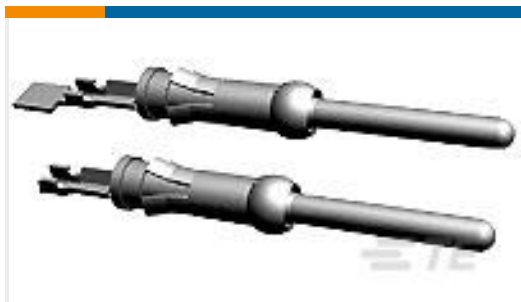
TE Part #206038-1  
CPC Connectors, Series 2



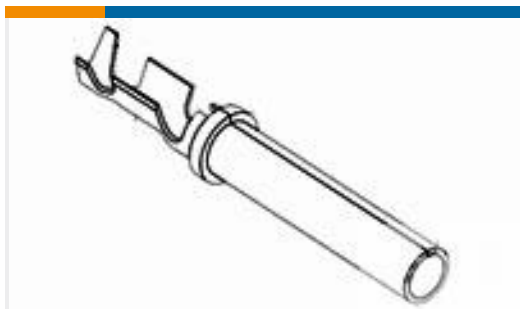
TE Part #211772-1  
CPC PLUG ASSEMBLY SIZE 23-19



TE Part #206322-9  
CABLE CLAMP SIZE 17



TE Part #66103-3  
III+ PIN,24-20,15AU/FL,LP



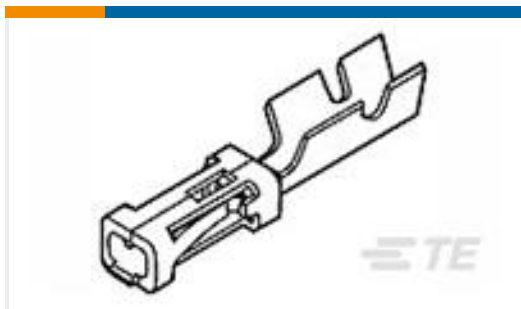
TE Part #776493-2  
SOC, SF, SIZE 16, 18-20 AWG, NI/SN



TE Part #66504-3  
20 DF SCKT CONT



TE Part #2292802-3  
AS16 BACKSHELL, 12P PLUG, NC16, MC



TE Part #86016-2  
MOD IV RECP LP



TE Part #1-1546074-2  
12POS 5.08MM TERMI-BLOK TOP WI

## Documents

[CAD Files](#)

[3D PDF](#)

[3D](#)

[Customer View Model](#)

[ENG\\_CVM\\_CVM\\_SM1-25\\_1.2d\\_dxf.zip](#)

[English](#)

[Customer View Model](#)



[ENG\\_CVM\\_CVM\\_SM1-25\\_1.3d\\_igs.zip](#)

English

**Customer View Model**

[ENG\\_CVM\\_CVM\\_SM1-25\\_1.3d\\_stp.zip](#)

English

By downloading the CAD file I accept and agree to the [Terms and Conditions](#) of use.

---

## Datasheets & Catalog Pages

**SM1**

English