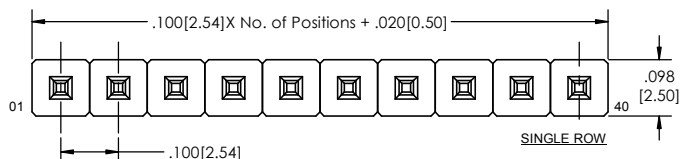
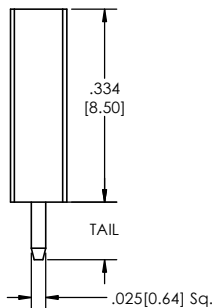
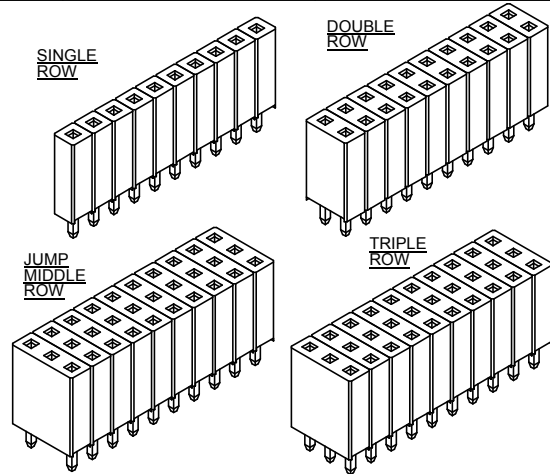
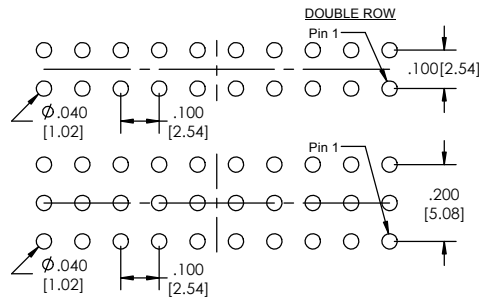
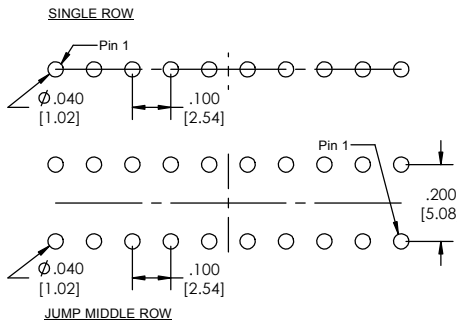
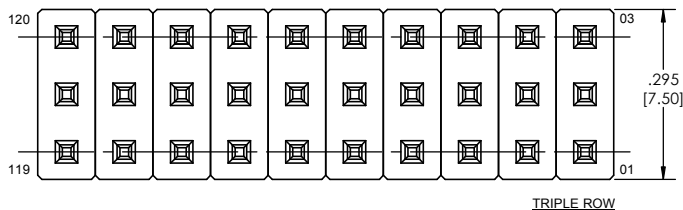
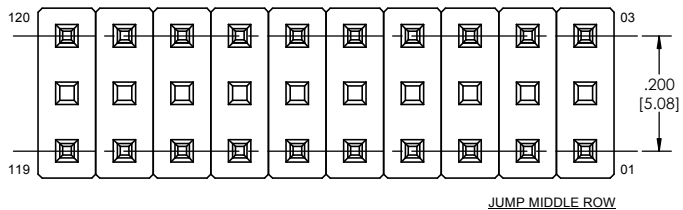
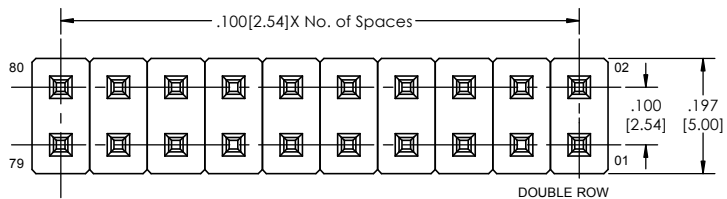
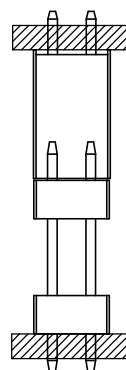


Recommended P.C. Board
SCALE 4:1



APPLICATION



SSHQ-1 [XX] - [X] - [XX] - [XX] - [XX] - [XXX] - [LF]
(A) (B) (C) (D) (E) (F) (G)

- A. Pins Per Row - 1 through 40
- B. Row Specification
 - S= Single
 - D= Double
 - J= Jump Middle
 - T= Triple
- C. Pin Options
 - See Pin Options below
- D. Plating Options
 - See Plating Options below
- E. Lock Tight "LT" (Optional)
 - Leave blank if not needed
 - LT= With
- F. Polarized Position
 - Leave blank if not needed
 - If required, specify empty pin position
 - e.g. 012 for Pin 12
- G. Lead Free

Mates with:
 BSTC TSHCR
 BSTCM TSHCRE
 BSTCR TSHCRSM
 BSTCRSM TSHR
 BSTS TSHRE
 LBSTCM TSHS
 LTSHCR TSHSCM
 LTSHCRE TSHSM
 LTSHR ULTSHSM
 LTSHRE ULTSHC
 LTSHSM ULTHSCR
 TSHC

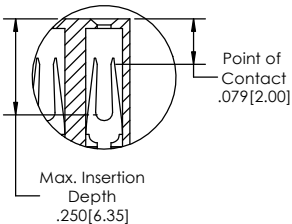
Plating options	
G	-10µ Gold on Contact Area/ Flash on Tail
T	-Matte Tin all Over
GT	-10µ Gold on Contact Area/ Matte Tin on Tail
H	-30µ Gold on Contact Area/ Matte Tin on Tail
F	-Gold Flash over Entire Pin
FT	- Gold Flash on Contact Area/ Matte Tin on Tail

Specifications:
 Insertions Depth: .145[3.68] to .250[6.35]
 Insertion Force- Per Contact- H Plating:
 6oz.[1.67N] avg with .025[0.64mm] sq. pin
 Withdrawal Force- Per Contact- H Plating:
 5oz.[1.39N] avg with .025[0.64mm] sq. pin
 Current Rating: 3.0 Ampere
 Insulation Resistance: 1000M Ohms Min.
 Dielectric Withstanding: 600V AC
 Contact Resistance: 20M Ohms Max.
 Operation Temperature: -40°C to +105°C
 Max. Process Temperature
 Peak: 260°C up to 20 secs.
 Process: 230°C up to 60 secs.
 Wave: 260°C up to 6 secs.
 Manual Solder: 350°C up to 5 secs.

Pin Option		
Length	Tail Length	
.435[11.05mm]	.100[2.54mm]	02
.453[11.51mm]	.120[3.05mm]	04
.525[13.34mm]	.190[4.83mm]	06
.725[18.42mm]	.390[9.91mm]	08
.895[22.73mm]	.560[14.22mm]	10

Materials:
 Contact Material: Phosphor Bronze
 Insulator Material: Nylon 6T
 Plating: Au or Sn over 50µ" (1.27) Ni

Tails may be clipped to achieve specific dimensions.
 Products cut to specific sizes are uncancelable/ nonreturnable.
 Parts are subject to change without notice.



PROPRIETARY AND CONFIDENTIAL
 THE INFORMATION CONTAINED IN THIS DRAWING IS THE SOLE PROPERTY OF Major League Electronics. ANY REPRODUCTION IN PART OR AS A WHOLE WITHOUT THE WRITTEN PERMISSION OF Major League Electronics IS PROHIBITED.

UNLESS OTHERWISE SPECIFIED:		NAME		DATE	
DIMENSIONS ARE IN INCHES		DRAWN		EOW	
TOLERANCES:		CHECKED		GWE	
ONE DECIMALS ±.100		ENG APPR.			
TWO DECIMAL ±.100		MFG APPR.			
THREE DECIMAL ±.005		ADDRESS:		2533 Centennial Blvd.	
FOUR DECIMAL ±.002		MATERIAL:		Jeffersonville, IN 47130	
NEXT ASSAY USED ON		FINISH:		Phone: 812-670-4174	
APPLICATION		DO NOT SCALE DRAWING		Fax: 812-670-4175	
		E-Mail: mle@mlelectronics.com		TITLE: SSHQ-1 SERIES	
				SIZE DWG. NO.	
				C	
				REV B	
				SCAEL 6:1	
				SHEET 1 OF 1	