

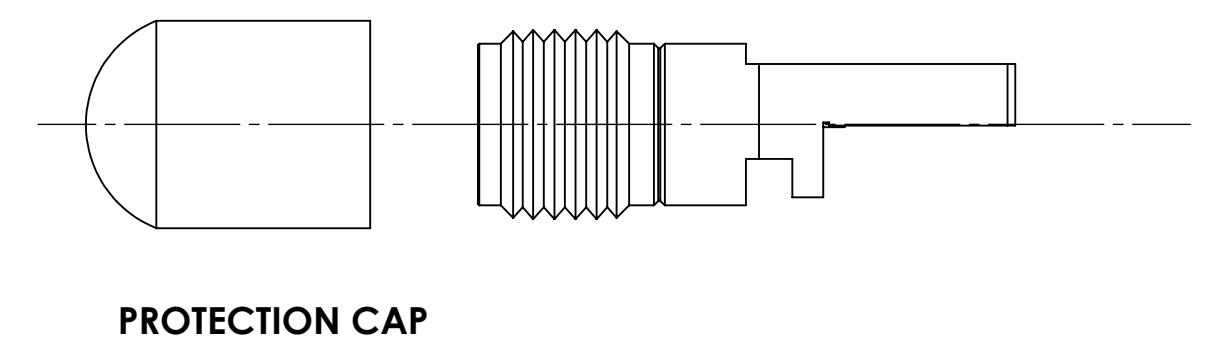
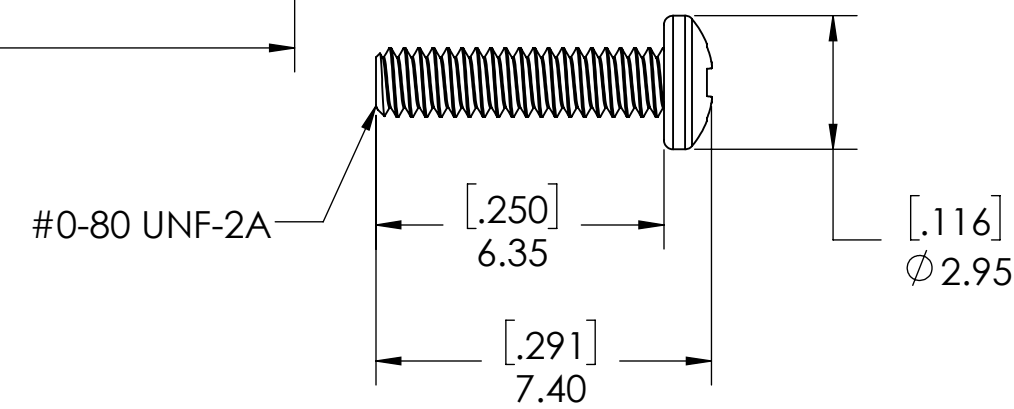
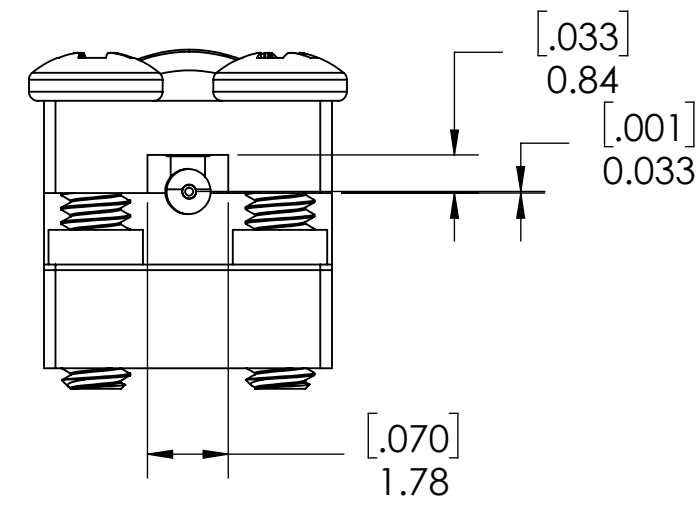
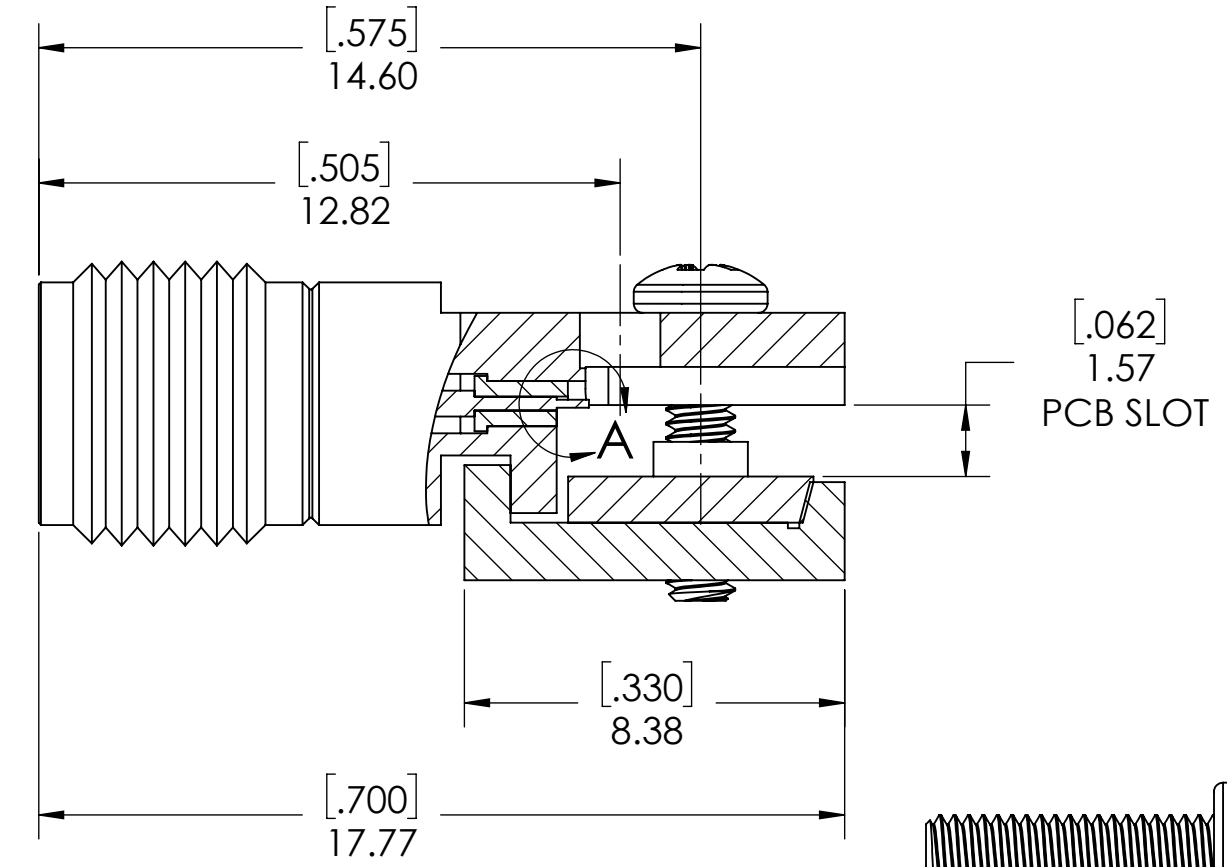
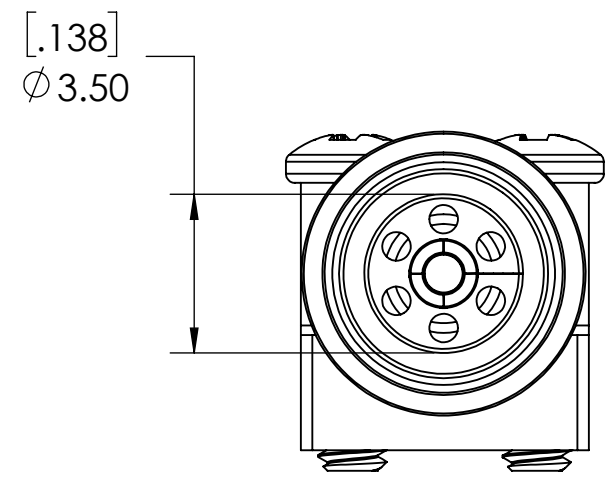
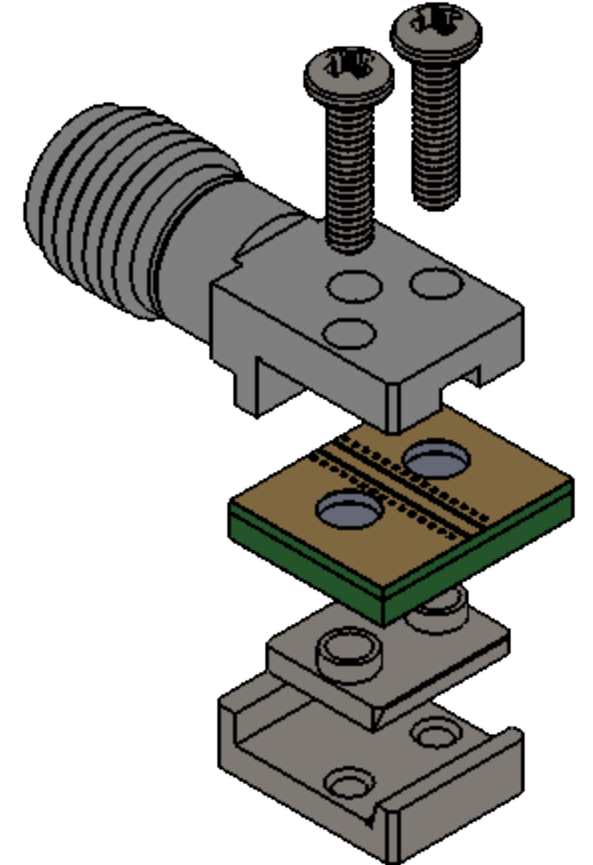
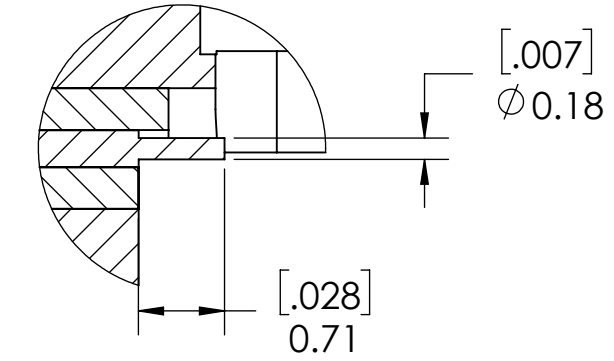
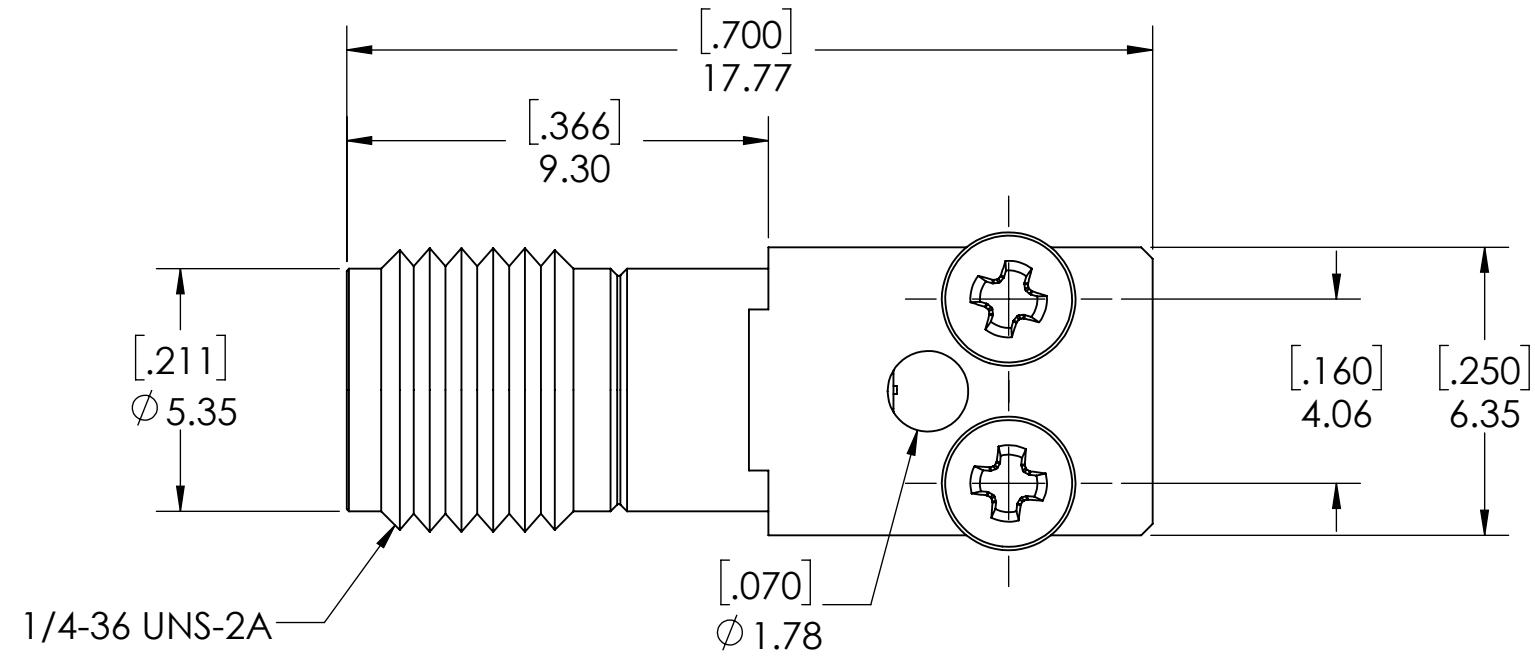
4

3

2

1

REVISIONS			
REV.	DESCRIPTION	DATE	DWN
-	INITIAL RELEASE	8/31/2020	FY



- NOTE(S):
1. These characteristics are typical and for reference.
 2. DYH: 58-20029-44070A
 3. See sheet 2 for PCB interface definition.

MATERIAL(S) :	ELECTRICAL(S) :	MECHANICAL(S) :	ENVIRONMENTAL(S) :
Body/Screws: Stainless Steel Locking Block: Brass Center Conductor: Beryllium Copper Insulator: PCTFE, white RoHS Compliant Protective Cap: Soft PVC Color: White	Impedance: 50 Ohms Nominal Frequency Range: DC to 34 GHz VSWR: 1.30 max at 34 GHz Working Voltage: 500 V RMS max @ Sea Level Dielectric Withstand Voltage: 500 V RMS max. Insulation Resistance: 5000 megaohms min. Contact Resistance: Initial: Center Contact: 1.5 Milliohms max Outer Contact: 0.8 Milliohms max	Mating Characteristics: Interface per MIL-STD-348 Force to Engage & Disengage: Torque: 2 inch-pounds max Longitudinal Force: NA Connector Durability: 500 Cycles min. Permeability: Less than 2.0 mu. Center Contact Retention: Axial Force: 6 pounds min. Radial Force: NA	Temperature Range: -55 °C to +85 °C Moisture Resistance: MIL-STD-202, Method 103, Test Condition B Corrosion: MIL-STD-202, Method 101, Test Condition B Vibration: MIL-STD-202, Method 204, Test Condition A Shock: MIL-STD-202, Method 213, Test Condition 1

FINISH(ES) :	APPLICABLE CARLISLE IT DOCUMENTS	TOLERANCES AND NOTES	APPROVAL	INITIALS	DATE	 Dongguan City, Guangdong P.R. China 523533 TITLE Edge Launch, Narrow Body, Solderless, 3.5mm, Connector SCALE 8:1 SIZE SUB-DIRECTORY/ _OUTLINE/ DRAWING NO. TMB-E5F2-1L1-01																		
Body/Screw: Passivated Locking Block: Nickel plating Center Conductor: Becu ,Gold Plating	<table border="1"> <thead> <tr> <th>WORK STANDARD</th> <th>PROD INSTRUC</th> <th>ASSY INSTRUC</th> </tr> </thead> <tbody> <tr> <td>NA</td> <td>NA</td> <td>NA</td> </tr> </tbody> </table>	WORK STANDARD	PROD INSTRUC	ASSY INSTRUC	NA		NA	NA	EXCEPT AS NOTED THIRD ANGLE PROJECTION SCALE 8:1 DIMENSIONS ARE IN [INCHES] MM ANGLES ±2° .XX DECIMALS ±.063 .XXX DECIMALS ±.01	<table border="1"> <tr> <td>DRAWN BY</td> <td>FY</td> <td>8/31/2020</td> </tr> <tr> <td>CHECKED BY</td> <td></td> <td></td> </tr> <tr> <td>DESIGN ENG</td> <td>PV</td> <td>9/26/2019</td> </tr> <tr> <td>APPR BY</td> <td></td> <td></td> </tr> </table>	DRAWN BY	FY	8/31/2020	CHECKED BY			DESIGN ENG	PV	9/26/2019	APPR BY				
WORK STANDARD	PROD INSTRUC	ASSY INSTRUC																						
NA	NA	NA																						
DRAWN BY	FY	8/31/2020																						
CHECKED BY																								
DESIGN ENG	PV	9/26/2019																						
APPR BY																								
<p>NOTICE</p> <p>THIS DRAWING EMBODIES A CONFIDENTIAL PROPRIETARY DESIGN ORIGINATED BY CARLISLE INTERCONNECT TECHNOLOGIES & ALL DESIGN, MANUFACTURING, REPRODUCTION, USE & SALE RIGHTS REGARDING THE SAME ARE EXPRESSLY RESERVED. IT IS SUBMITTED UNDER A CONFIDENTIAL RELATIONSHIP FOR A SPECIFIED PURPOSE & THE RECIPIENT AGREES BY ACCEPTING THIS DRAWING NOT SUPPLY OR DISCLOSE ANY INFORMATION REGARDING IT TO ANY UNAUTHORIZED PERSON TO INCORPORATE IN OTHER PROJECTS ANY SPECIAL FEATURES PECULIAR TO THIS DESIGN. ALL PATENT RIGHTS HERETO ARE EXPRESSLY RESERVED BY CARLISLE INTERCONNECT TECHNOLOGIES, CERRITOS, CALIFORNIA 90703.</p>																								
<table border="1"> <tr> <td>SCALE</td> <td>8:1</td> <td>SHEET 1 OF 2</td> </tr> <tr> <td>SIZE</td> <td>C</td> <td>REV. -</td> </tr> </table>						SCALE	8:1	SHEET 1 OF 2	SIZE	C	REV. -													
SCALE	8:1	SHEET 1 OF 2																						
SIZE	C	REV. -																						

4

3

2

1

4 3 2 1

D

C

B

A

ENG-SW REV. E

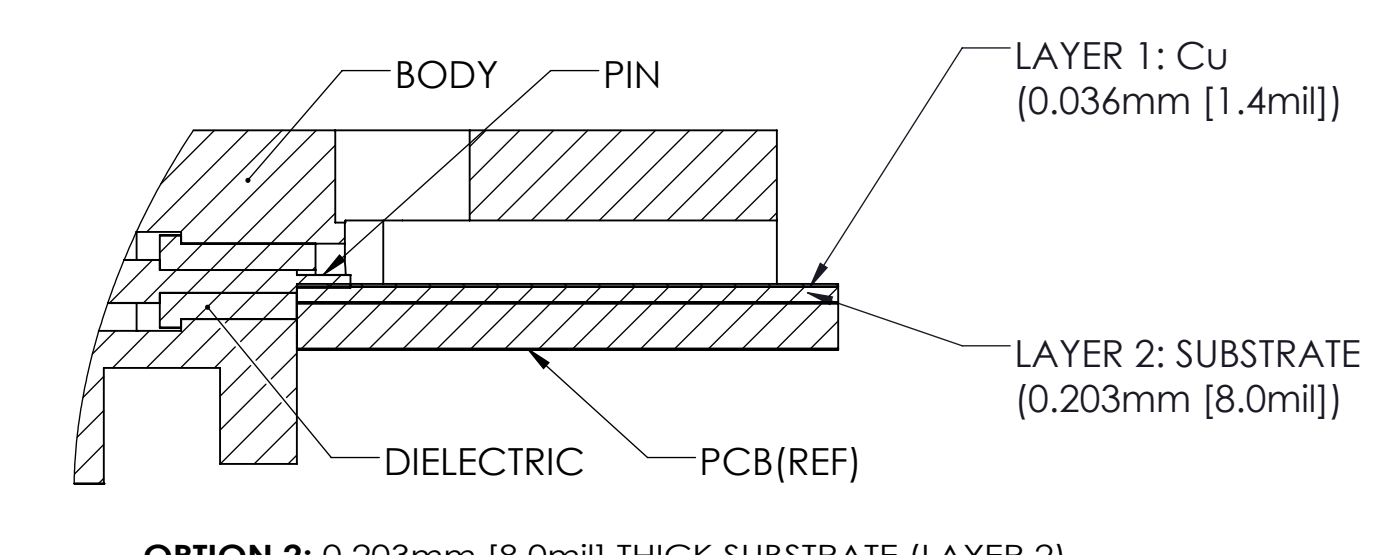
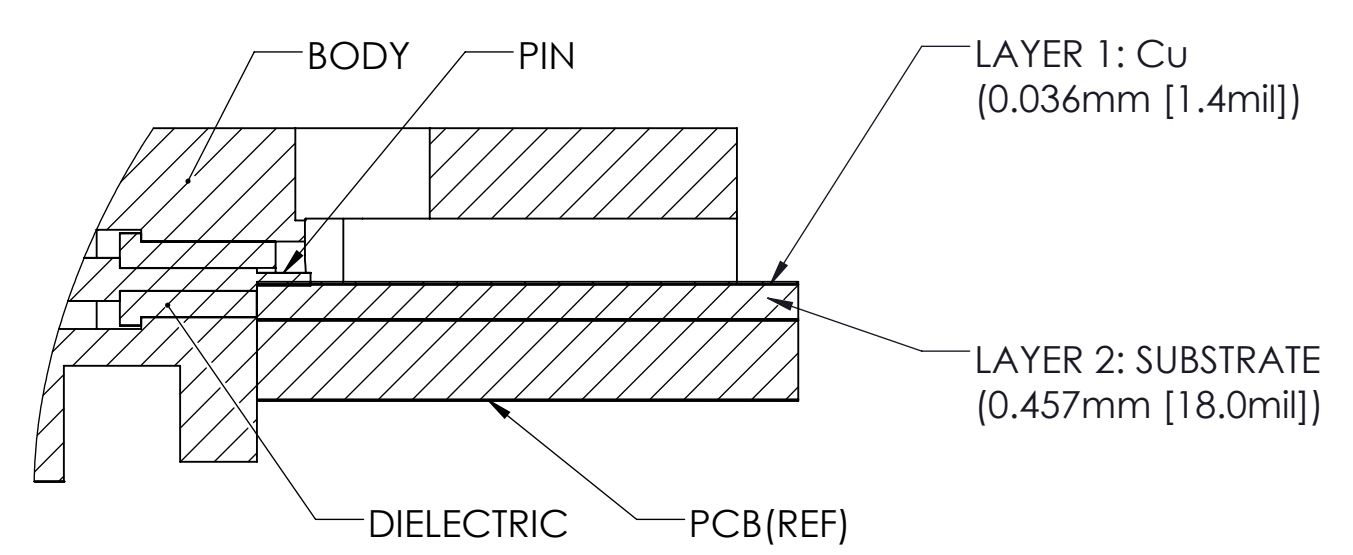
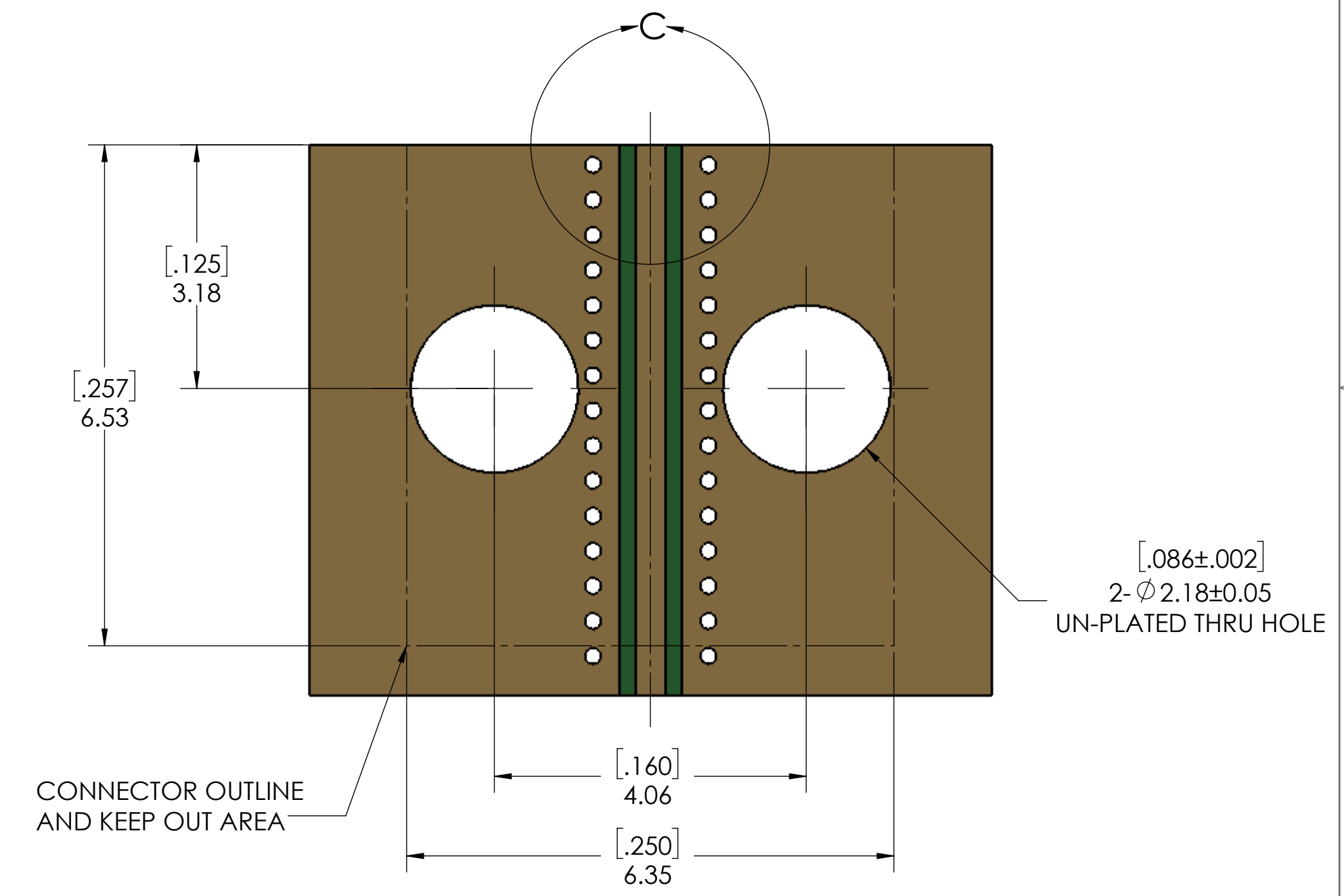
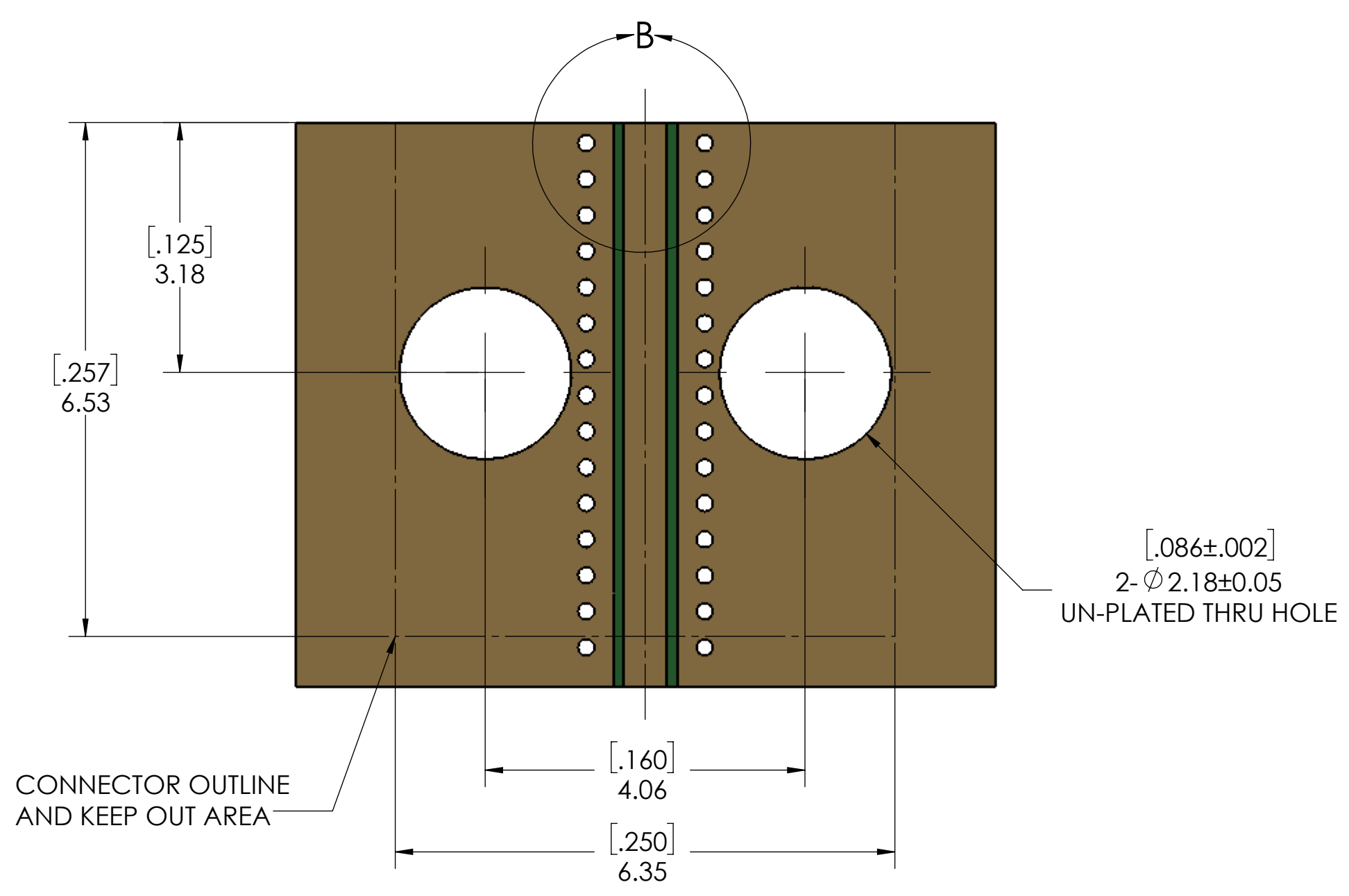
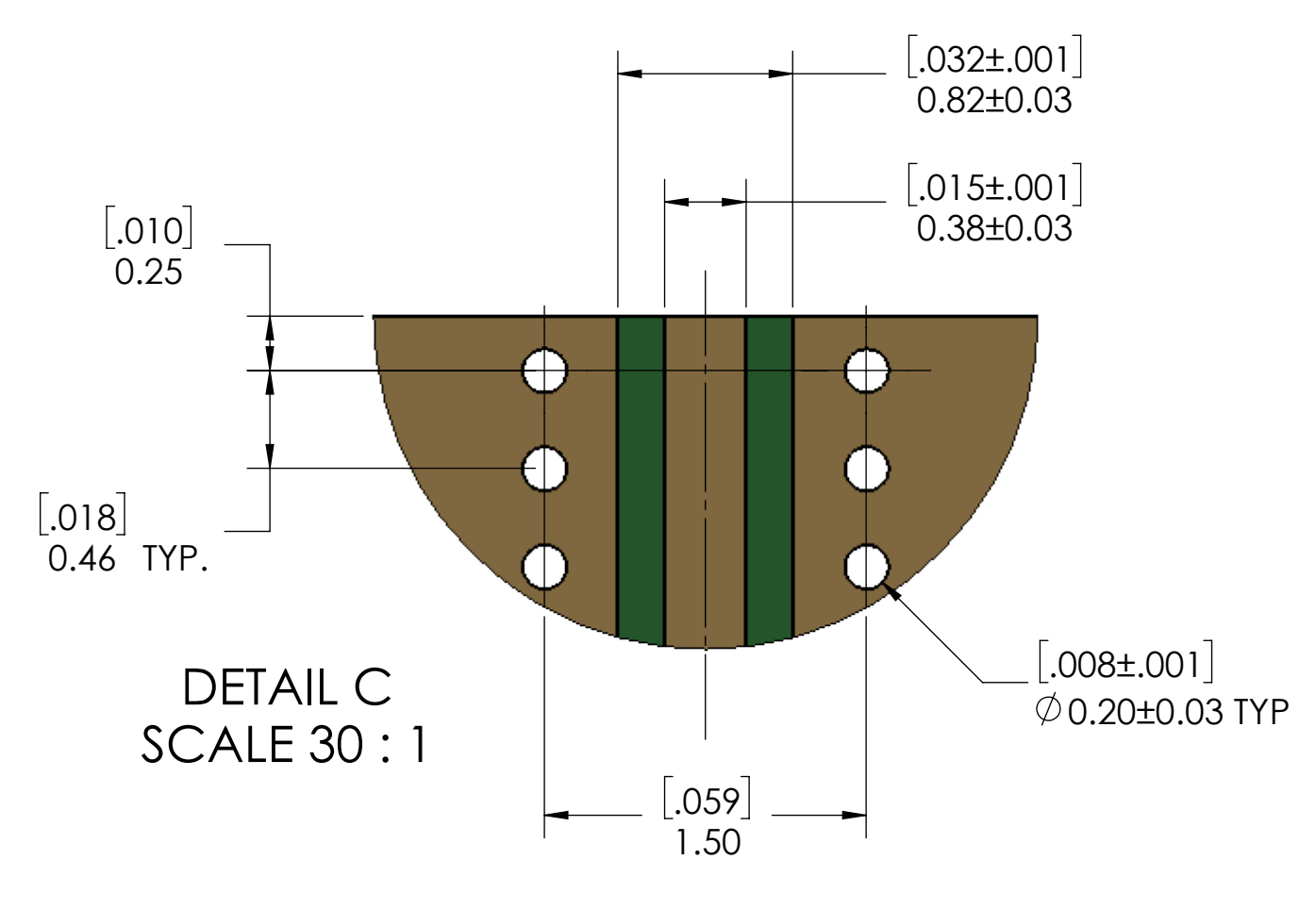
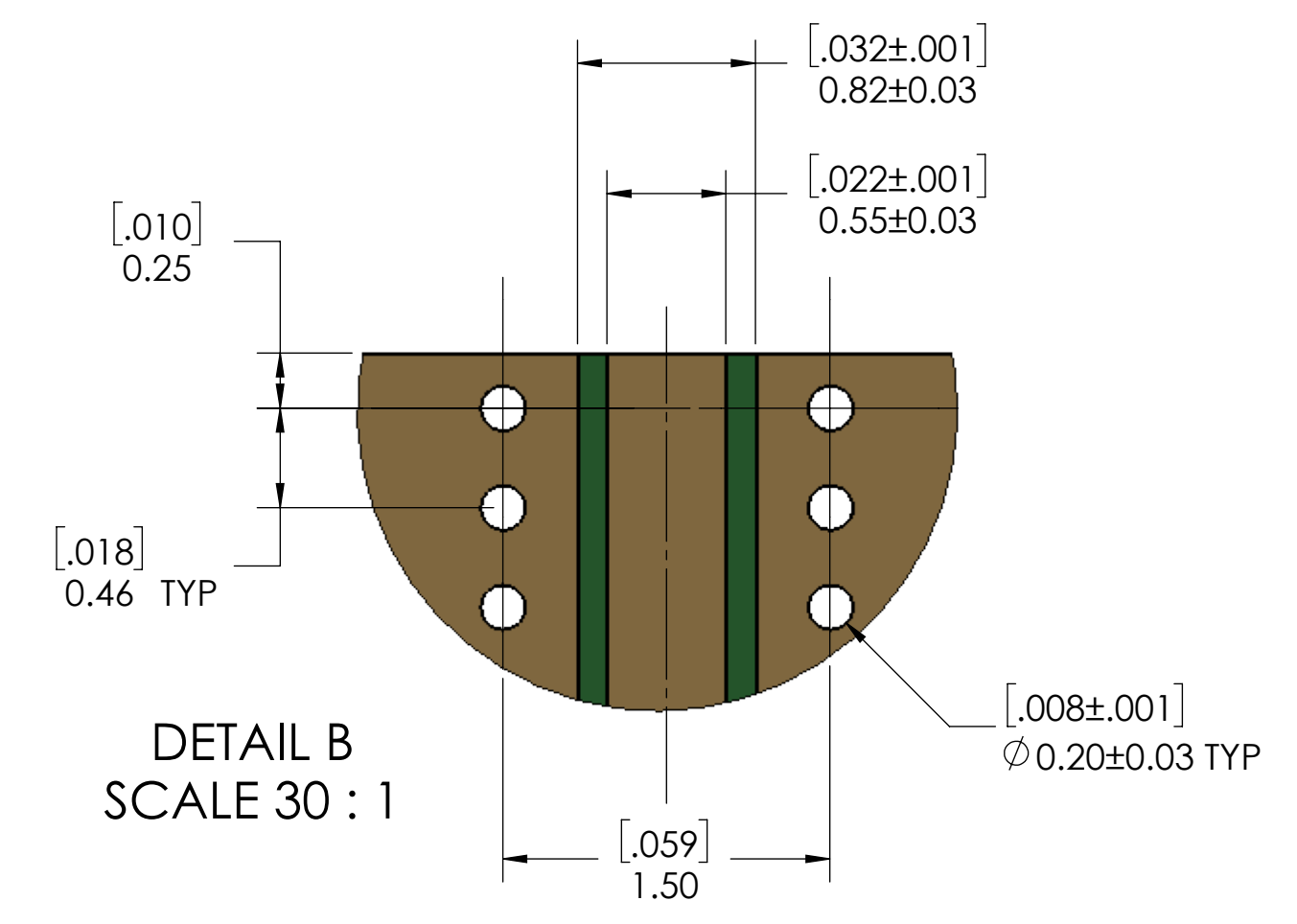
4

3

2

1

D C B A



PCB LAYOUT
(FOR REFERENCE ONLY)

SCALE	SUB-DIRECTORY/		SHEET 2 OF 2
10:1			
SIZE	CAGE CODE	DRAWING NO.	REV.
C		TMB-E5F2-1L1-01	-