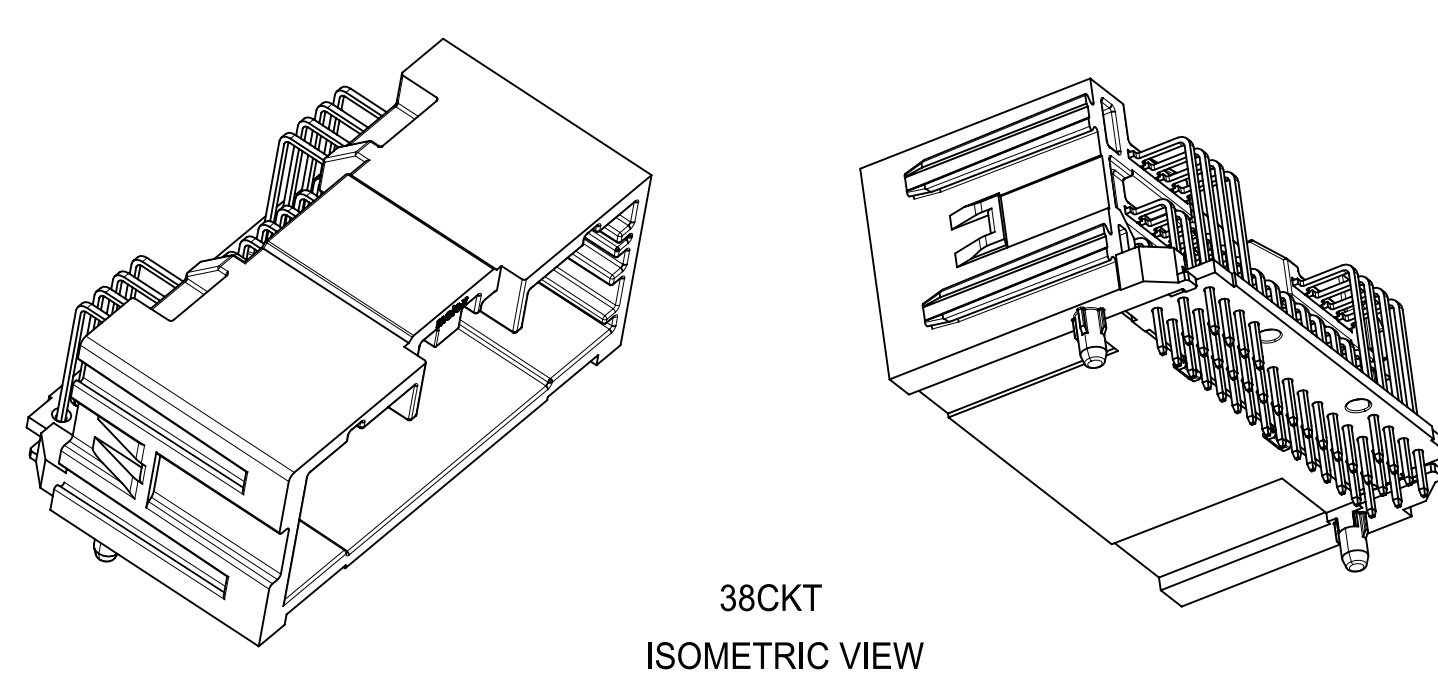
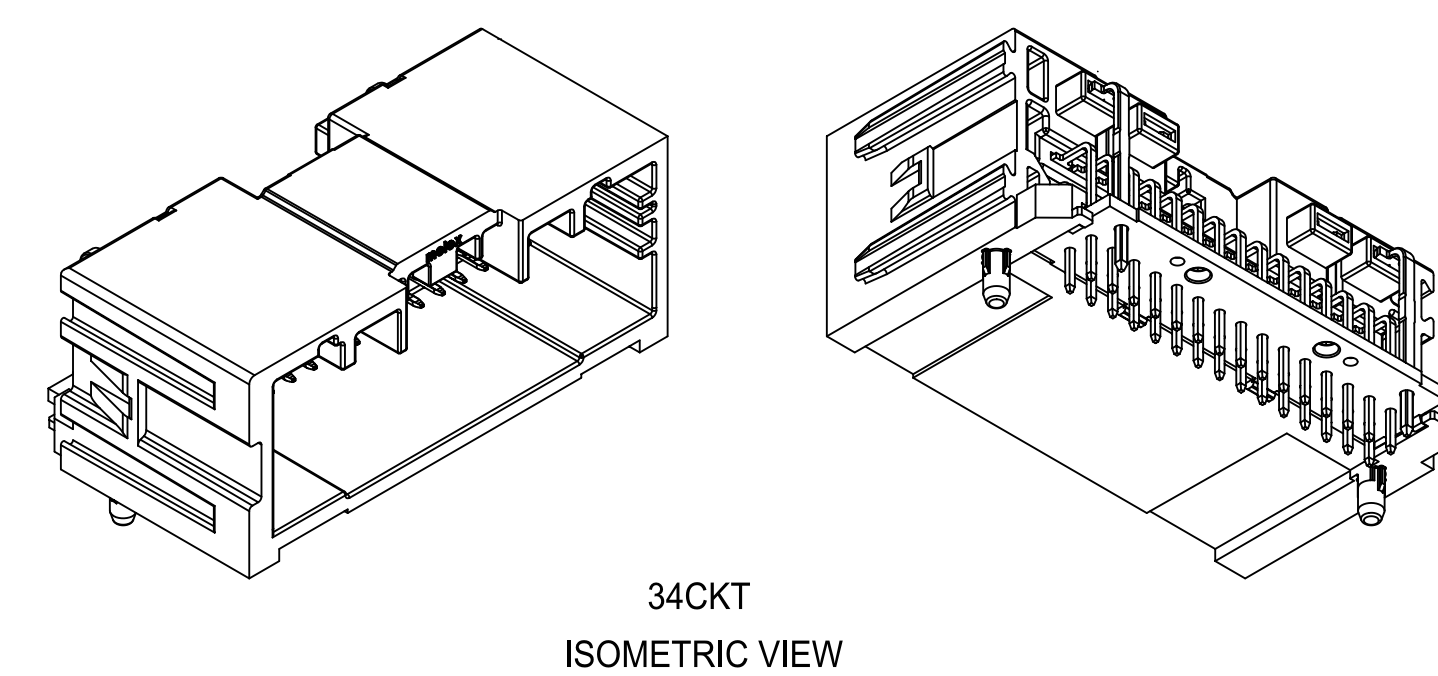


TABLE OF CONTENTS	
SHEET NO.	SHEET DESCRIPTION
1	NOTES,INSPECTION BALLOON NUMBER LOG, REV.COLUMN, ISOMETRIC VIEW, NOMINAL DIMENSION RANGE
2	PIN CONFIGURATION TABLE
3	34&38WAY POLARIZATION OPTION VIEW, HB/V0 VERSION DIFFERENCE
4	PIN INSERTION DIRECTION VIEW PAP HOLE SHAPE VIEW
5	DETAIL DIMENSION VIEW REFERENCE PCB LAYOUT



DIN 16901	CODE LETTER	NOMINAL DIMENSION RANGE													
		OVER UP TO	0	1	3	6	10	15	22	30	40	53	70	90	120
PRECISION ENGINEERING	A		±0.10	±0.12	±0.14	±0.16	±0.20	±0.22	±0.24	±0.26	±0.28	±0.31	±0.35	±0.40	±0.50
	B		±0.05	±0.06	±0.07	±0.08	±0.10	±0.12	±0.14	±0.16	±0.18	±0.21	±0.25	±0.30	±0.40

A: FOR NON-MOLD RELATED DIMENSIONS (ACROSS PARTING LINE)
B: FOR MOLD RELATED DIMENSIONS (WITHIN MOLD COMPONENTS)

INSPECTION BALLOON NUMBER LOG
PER DRAWING REVISION: B
LAST BALLOON NUMBER USED: 8A
ADDED BALLOON NUMBERS:
REMOVED BALLOON NUMBERS:

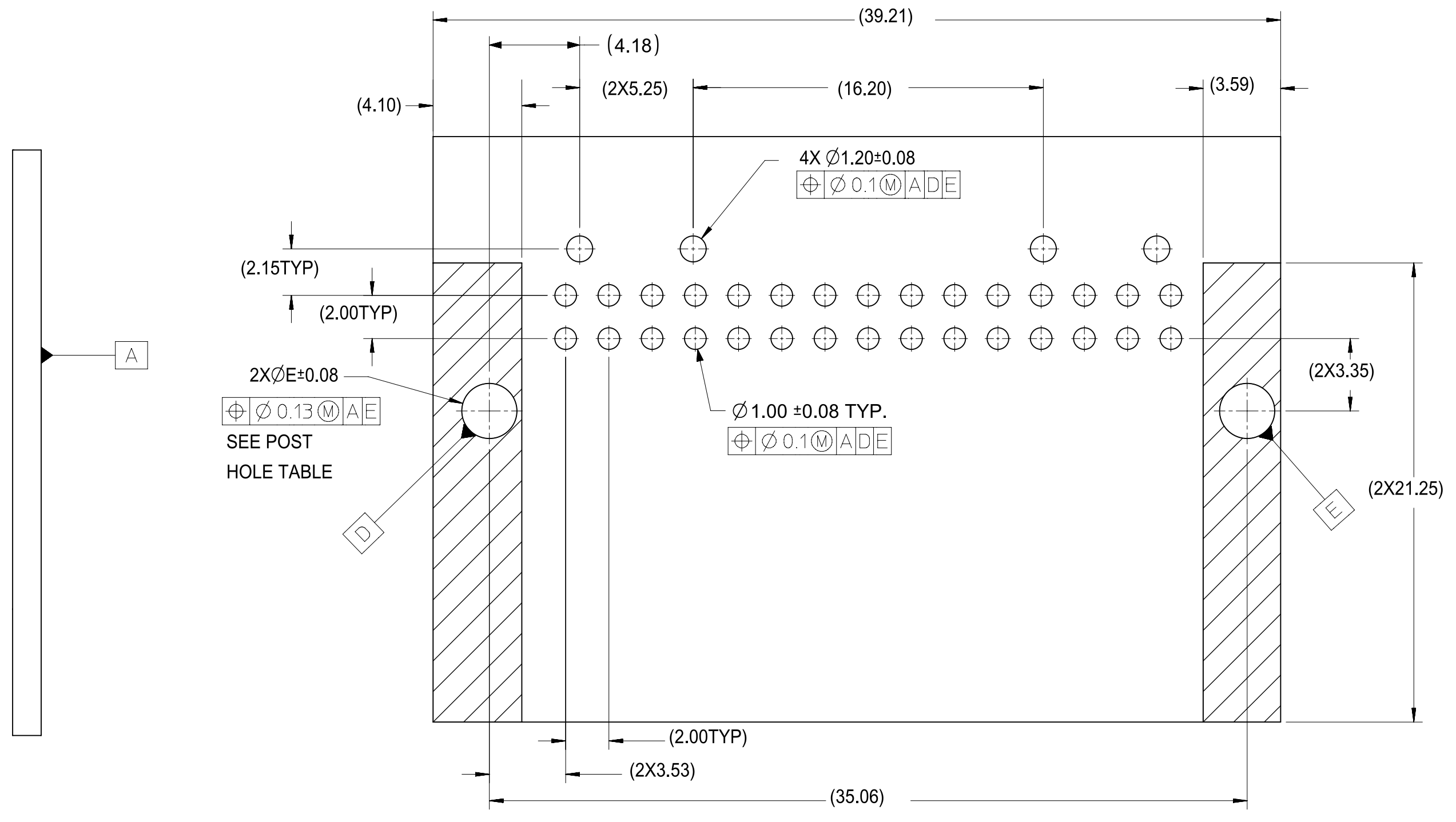
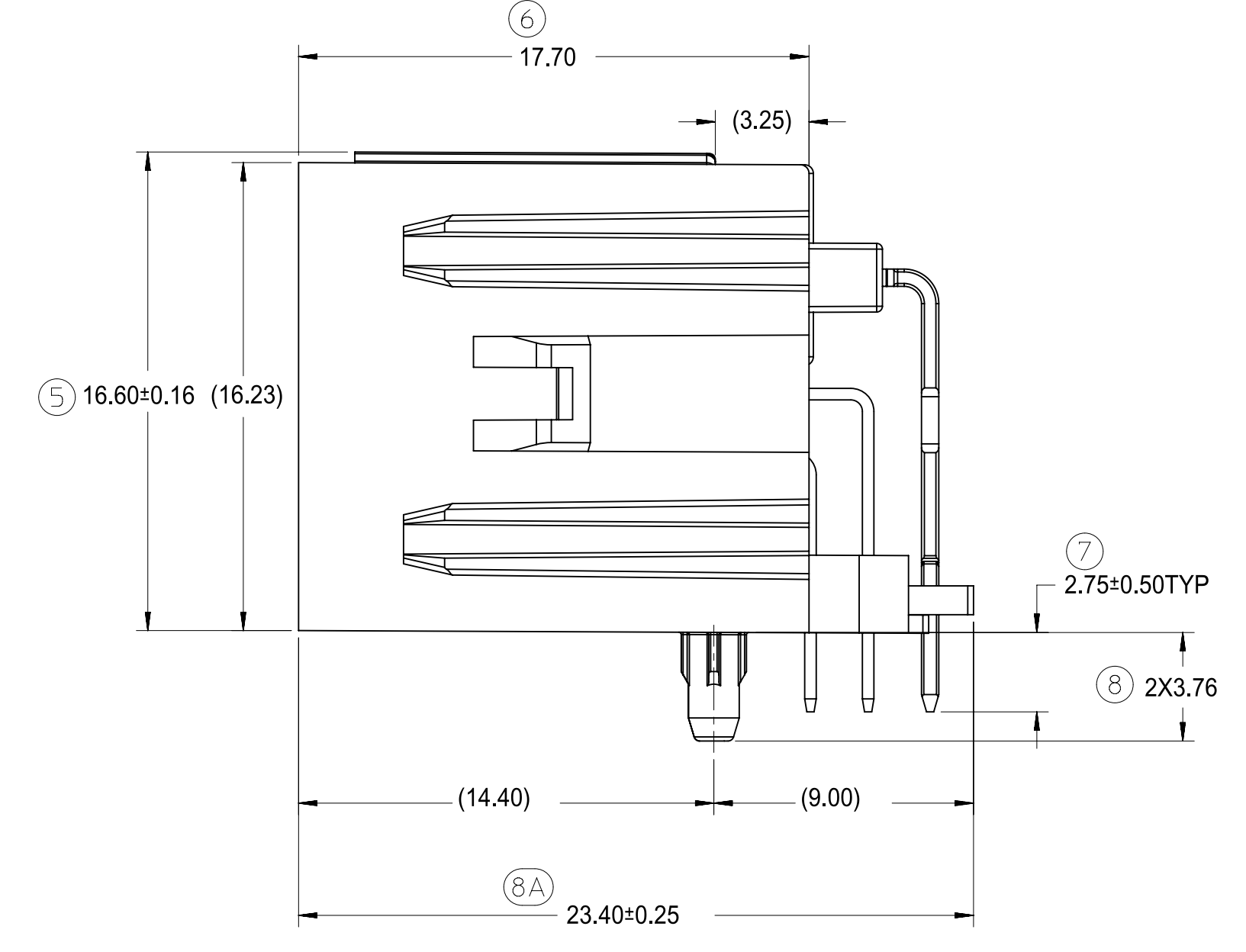
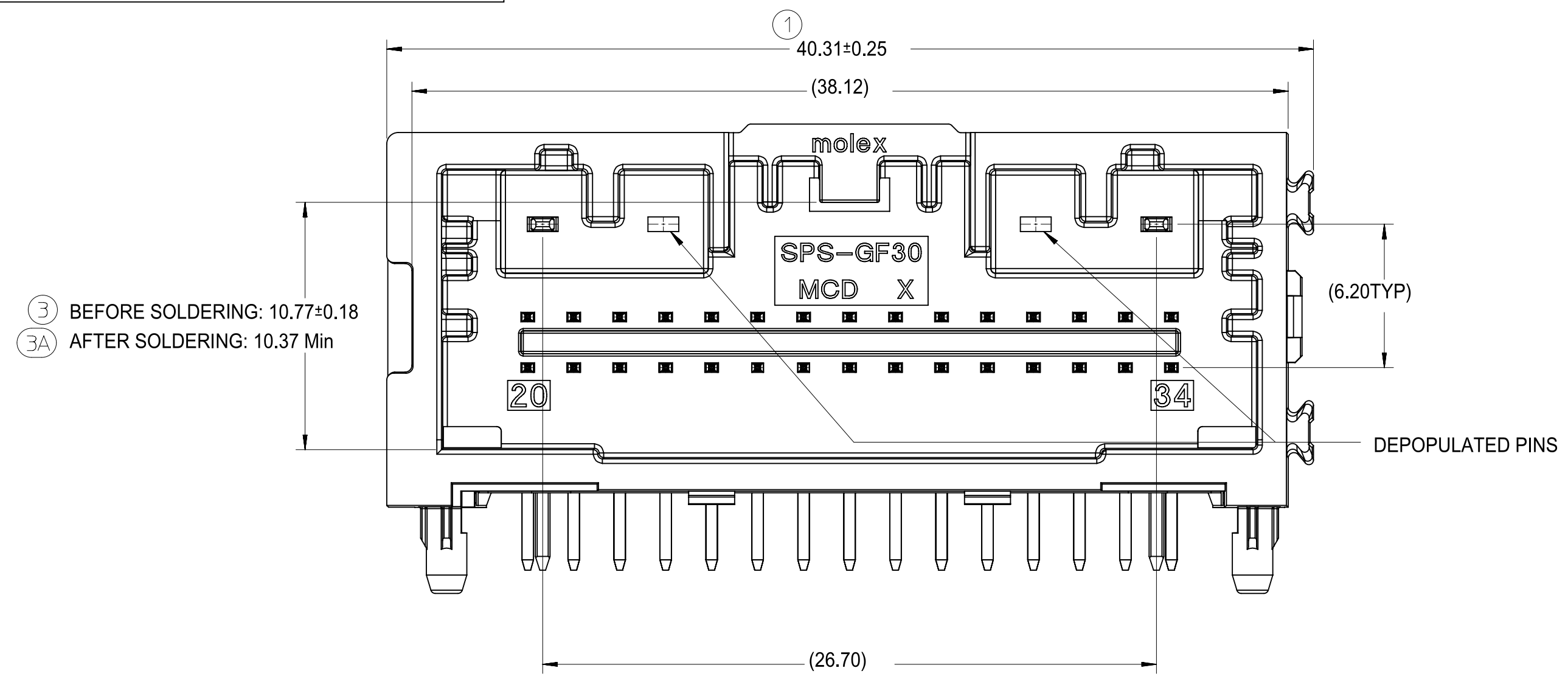
NOTES: VALID UNLESS OTHERWISE SPECIFIED

1. GENERAL:
- a. CONNECTOR HEADER MUST BE VALIDATED TO THE FOLLOWING FUNCTIONAL REQUIREMENTS:
 HB VALIDATION SPECIFICATION = GMW3191 JUNE 2012
 V0 VALIDATION SPECIFICATION = USCAR-2 REV6
 SOLDERABILITY = SMES-152
- b. APPLICATION REQUIREMENTS:
 SEE APPLICATION SPECIFICATION = AS-34959-001
 SEE HB PRODUCT SPECIFICATION = PS-34959-001
 SEE V0 PRODUCT SPECIFICATION = 2133550000-PS
 COSMETIC SPECIFICATION: PS-45499-002 Class B
 GEOMETRIC TOLERANCING: SEE DIN 16901 TABLE
 MATES WITH: SD-34959-030
 FULL PIN HEADER SD DRAWING(FOR REFERENCE): SD-34961-030
- c. PACKAGING SPECIFICATION: SEE PIN CONFIGURATION TABLE
2. DESIGN MATERIALS:
- a. HEADER HSG (PLASTIC HOUSING):
 HB RESIN - SPS
 V0 RESIN - SPS
- b. PIN ALIGNMENT PLATE:
 HB RESIN - SPS
 V0 RESIN - SPS
- c. 0.50MM BLADES:
 BASE MATERIAL: BRASS
 PLATING TYPE: AS NOTED
- d. 1.20MM BLADES:
 BASE MATERIAL: BRASS
 PLATING TYPE: AS NOTED
3. PLATING REQUIREMENTS:
- a. UNDERPLATING - OVERALL NICKEL
- b. OVERPLATING - OVERALL TIN

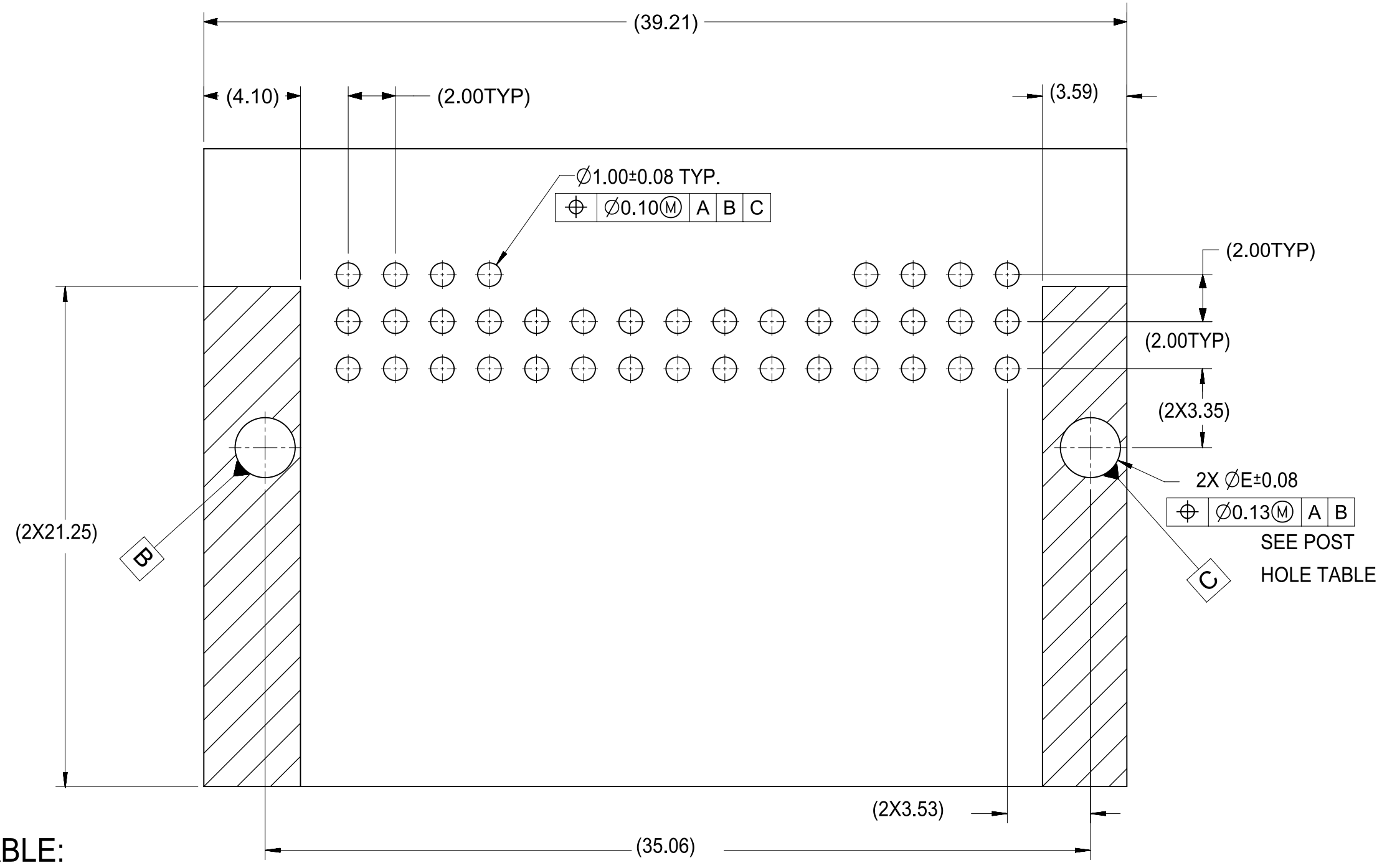
B	SHEET 2: ADDED NEW PART NUMBER IN CHART SHEET 2: UPDATE PRODUCT STATUS IN CHART SHEET 3: ADDED SHEET TO SHOW PIN INSERTION DIRECTION VIEW AND PAP HOLE SHAPE VIEW	CO-000009 10
A11	1. SHEET 1: UPDATED NOTES INFORMATION 2. SHEET 2: ADDED SHEET TO SHOW PIN CONFIGURATION TABLE 3. SHEET 2: ADDED NEW PART NUMBER 4. SHEET 4: ADDED "BEFORE SOLDERING" NOTE TO DIM 3 5. SHEET 4: ADDED DIM 3A	663659
A10	1. SHEET 1: ADDED PART NUMBER 34961-1343; 34961-9343; 34961-1344; 34961-1345 2. SHEET 1: STATUS OF 2133551341; 2133559341; 2133551342; 2133559342: WAS OK TO TOOL 3. SHEET 1: ADDED GENERAL TOLERANCE TABLE PER DIN 16961 4. SHEET 1: ADDED FULL LOADED HEADER SD DRAWING NUMBER IN NOTE_1b 5. SHEET 3: REMOVED THE BALLOON NUMBER FOR DIMENSION OF PCB LAYOUT 6. SHEET 3: DIM5 WAS 16.60	636289
A9	1. UPDATED BELOW V0 PART NUMBER STATUS TO SALEABLE IN SHEET 1: 2133551340, 2133559340 2. ADDED V0 VALIDATION SPECIFICATION AND V0 PRODUCT SPECIFICATION INFORMATION IN NOTES. 3. UPDATED V0/HB DIFFERENT FEATURE VIEWS IN SHEET 2.	631855
A8	1. ADDED NEW V0 PART NUMBER IN SHEET 1: 2133551340 / 2133551341 / 2133551342 2133559340 / 2133559341 / 2133559342 2. ADDED V0 MATERIAL INFORMATION IN NOTES 3. ADDED SHEET 2 TO SHOW THE POLARIZATION OPTION VIEW AND V0/HB DIFFERENT FEATURE VIEWS	625904
A7	ADDED NEW PART NUMBER IN SHEET 1: 34961-1382/34961-1383/34961-1384 34961-9382/34961-9383/34961-9384	613431
A6	1. ADDED NEW MINI50 38WAY PART NUMBER IN SHEET 1 2. ADDED MINI50 38WAY PCB LAYOUT IN SHEET 2 3. ADDED DIM17 & DIM18	611160
REV	REV DESCRIPTION	ECN SAP NO.

FUNCTIONAL SYMBOLS	THIS DRAWING CONTAINS INFORMATION THAT IS PROPRIETARY TO MOLEX ELECTRONIC TECHNOLOGIES, LLC AND SHOULD NOT BE USED WITHOUT WRITTEN PERMISSION		CURRENT REV DESC: REFER TO REVISION COLUMN		
	FA = 0	mm	SCALE	2:1	
DIVISIONAL SYMBOLS	GENERAL TOLERANCES (UNLESS SPECIFIED)		PHASE: Design Production		CO NO: CO-00000910 DRWN: Shanks Wu 2022-04-08 CHK'D: Ringo Hu 2022-04-29 APPR: Colin Zhang 2022-05-05
	FC = 0	ANGULAR TOL ± 1.0°		INITIAL REVISION:	
FUNCTIONAL SYMBOLS	FD = 0	4 PLACES	±	DRWN: Shanks Wu 2022-04-25	DOCUMENT NUMBER SD-34961-130
		3 PLACES	±	APPR: Colin Zhang 2022-05-05	
		2 PLACES	±	DRWN: Shanks Wu 2022-05-05	DOC TYPE
		1 PLACE	±	APPR: Colin Zhang 2022-05-05	DOC PART
		0 PLACES	±		REVISION
DRAFT WHERE APPLICABLE MUST REMAIN WITHIN DIMENSIONS		THIRD ANGLE PROJECTION	DRAWING	SERIES	MATERIAL NUMBER
			D-SIZE	34961	CUSTOMER
					GENERAL MARKET
					SHEET NUMBER
					1 OF 5

TABLE OF CONTENTS	
SHEET NO.	SHEET DESCRIPTION
5	DETAIL DIMENSION VIEW REFERENCE PCB LAYOUT



REFERENCE 34WAY PCB LAYOUT



REFERENCE 38WAY PCB LAYOUT

POST HOLE TABLE:
FOR DIM E:

PRESS FIT:	2.15
DROP IN:	2.55

FUNCTIONAL SYMBOLS FA = 0 FC = 0 FP = 0	THIS DRAWING CONTAINS INFORMATION THAT IS PROPRIETARY TO MOLEX ELECTRONIC TECHNOLOGIES, LLC AND SHOULD NOT BE USED WITHOUT WRITTEN PERMISSION	SCALE 3:1	CURRENT REV DESC: REFER TO REVISION COLUMN	
	DIMENSION UNITS mm	GENERAL TOLERANCES (UNLESS SPECIFIED)	PHASE: Design Production	
DIVISIONAL SYMBOLS	ANGULAR TOL ± 1.0°	4 PLACES ±	CO NO: CO-000000910	2022-04-08
		3 PLACES ±	DRWN: Shanks Wu	2022-04-29
		2 PLACES ±	CHK'D: Ringo Hu	2022-05-05
		1 PLACE ±	APPR: Colin Zhang	
		0 PLACES ±	INITIAL REVISION:	
			DRWN: Shanks Wu	2022-04-25
			APPR: Colin Zhang	2022-05-05
DRAFT WHERE APPLICABLE MUST REMAIN WITHIN DIMENSIONS	THIRD ANGLE PROJECTION	DRAWING D-SIZE	SERIES 34961	MATERIAL NUMBER SD-34961-130
		CUSTOMER GENERAL MARKET	DOC TYPE PSD	DOC PART 001
		SHEET NUMBER 5 OF 5	REVISION B	

molex

34&38CKT MINI50
DEPOPULATED PINS HEADER SALES DRAWING

PRODUCT SALES DRAWING

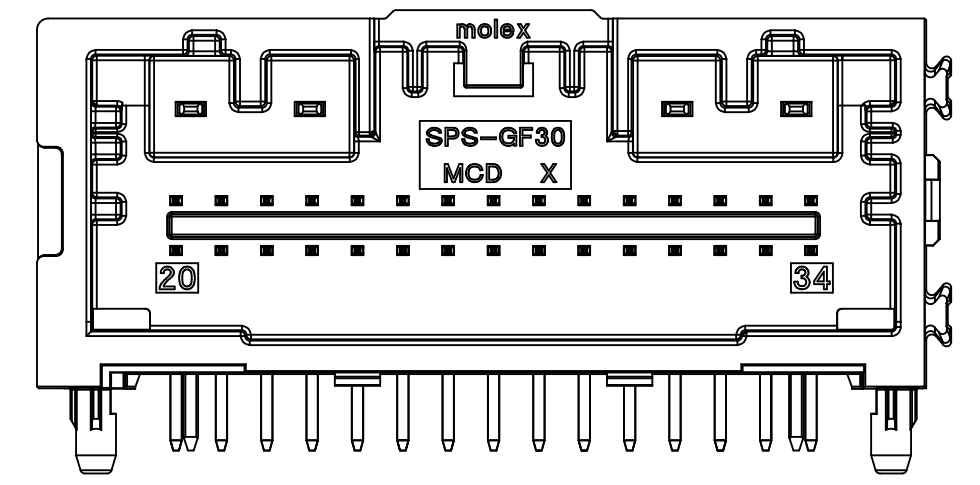
SD-34961-130

PSD 001 B

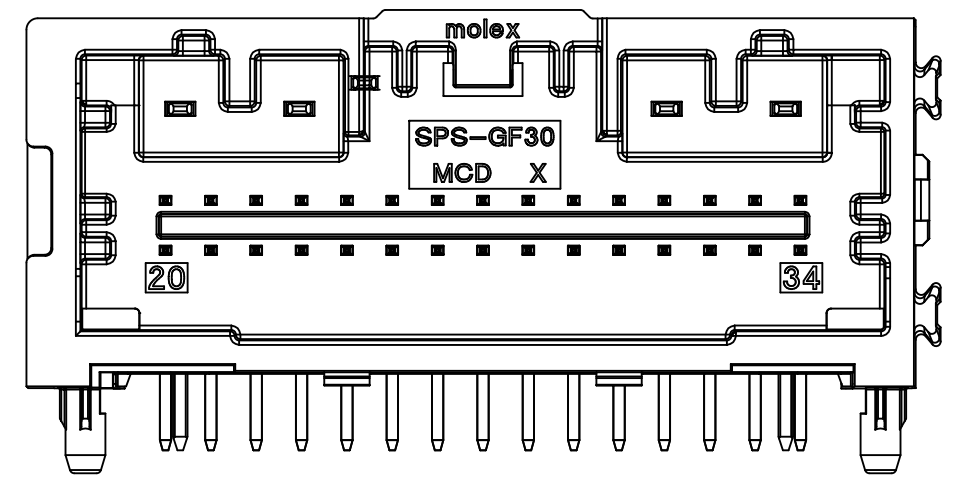
GENERAL MARKET

5 OF 5

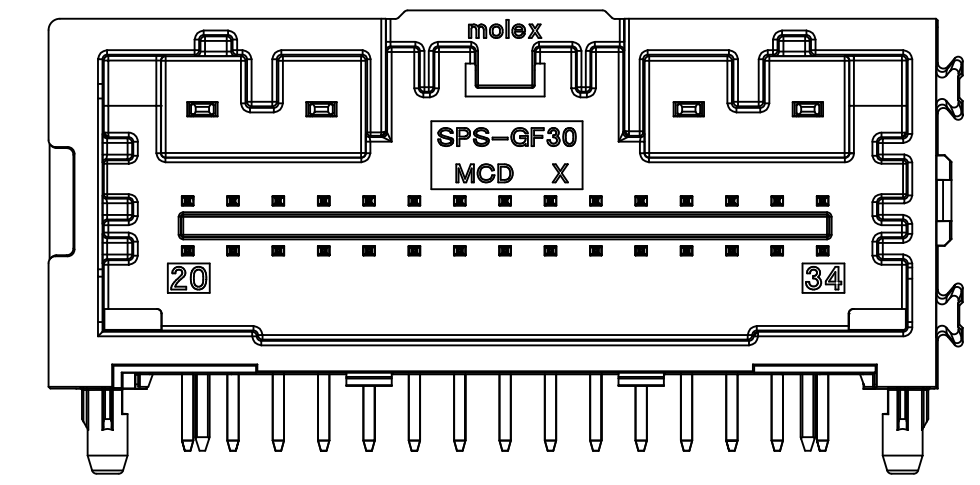
TABLE OF CONTENTS	
SHEET NO.	SHEET DESCRIPTION
3	34&38WAY POLARIZATION OPTION VIEW, HB/V0 VERSION DIFFERENCE



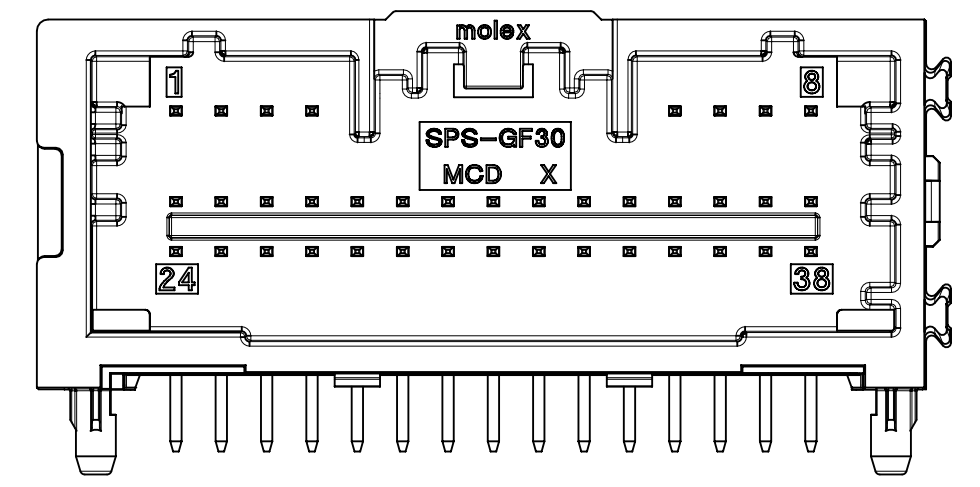
34CTK POLARIZATION OPTION 'A'



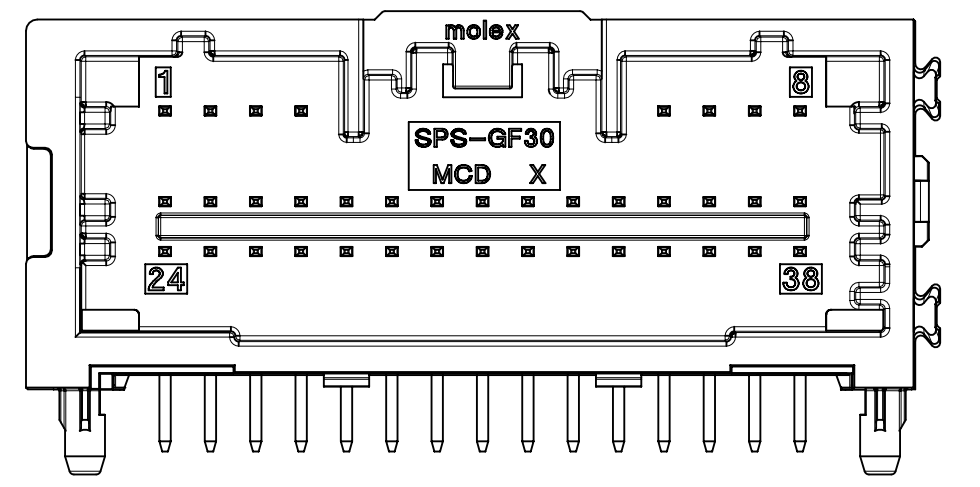
34CTK POLARIZATION OPTION 'B'



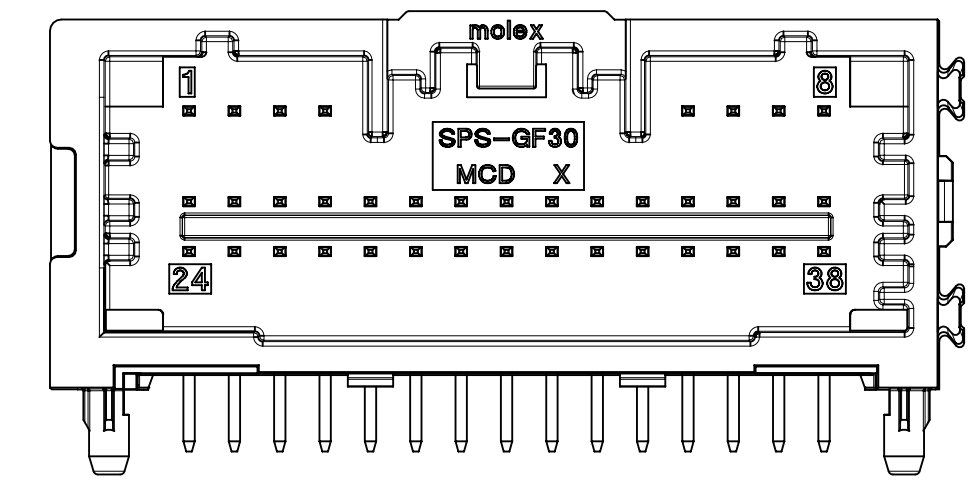
34CTK POLARIZATION OPTION 'C'



38CTK POLARIZATION OPTION UPDATED 'A'

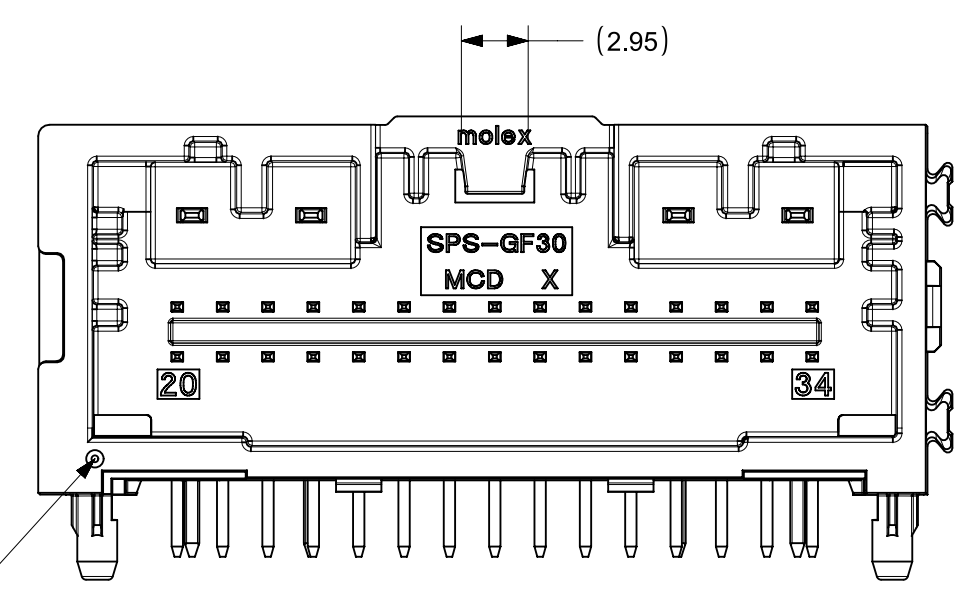


38CTK POLARIZATION OPTION UPDATED 'B'

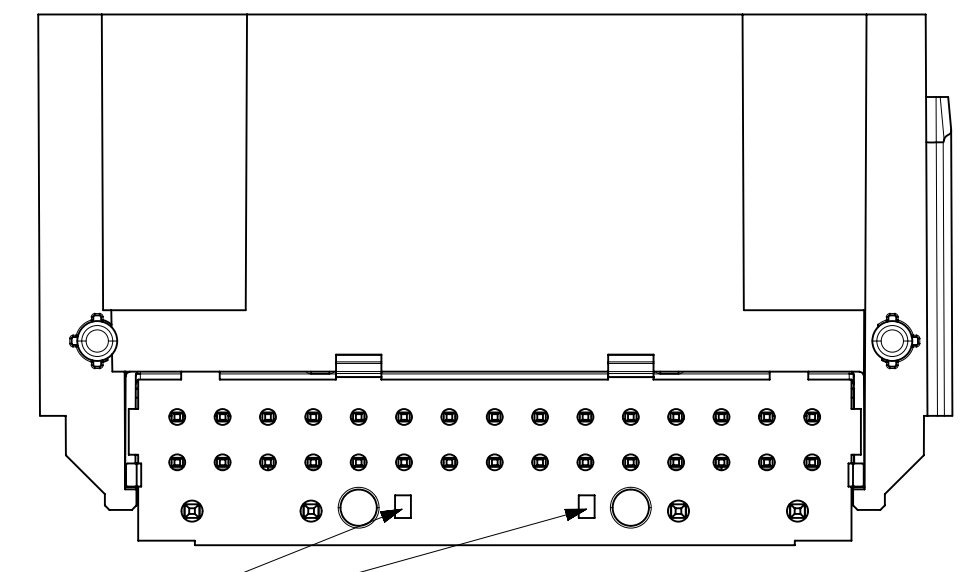
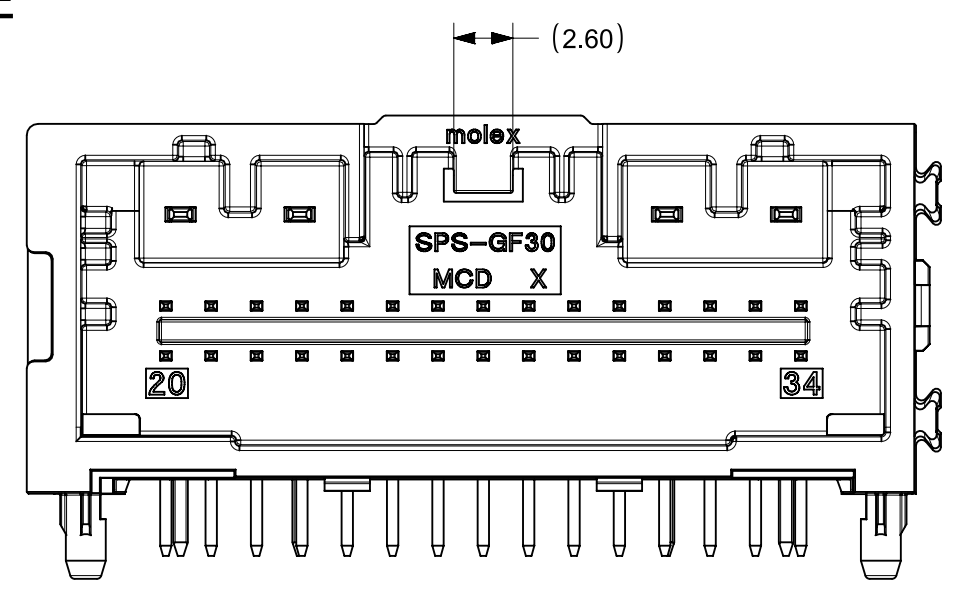


38CTK POLARIZATION OPTION UPDATED 'C'

HB / V0 VERSION DIFFERENCE

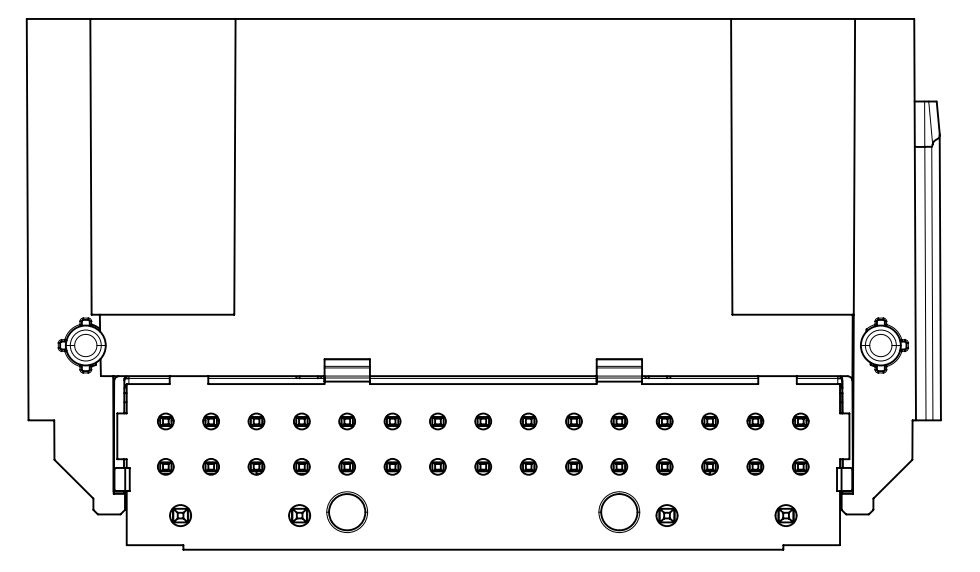


DEPRESSION FEATURE ADDED TO V0 PART TO DISTINGUISH FROM HB PART



HOLE FEATURE ADDED TO V0 PART TO DISTINGUISH FROM HB PART

V0 P/Ns: 213355XXXX
APPLIES TO ALL CKT SIZES, USE 34CTK AS SHOWN

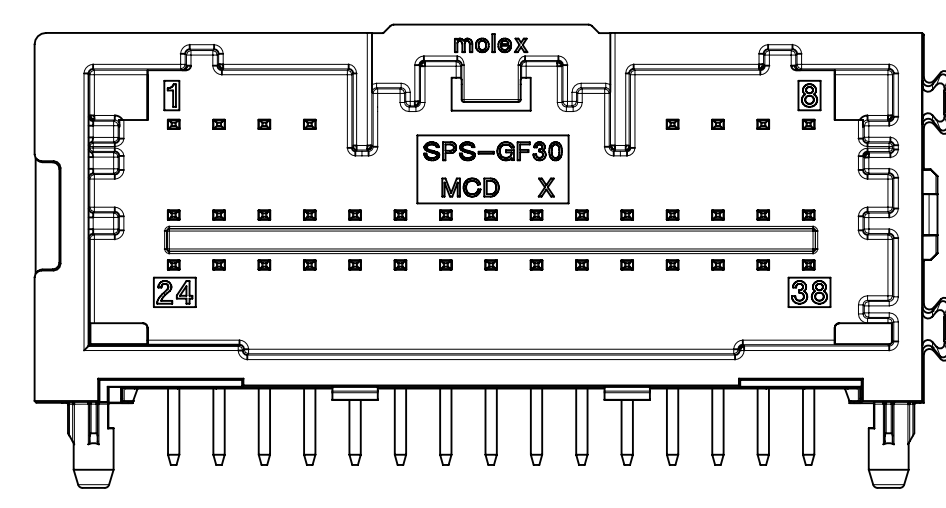


HB P/Ns: 34961XXXX
APPLIES TO ALL CKT SIZES, USE 34CTK AS SHOWN

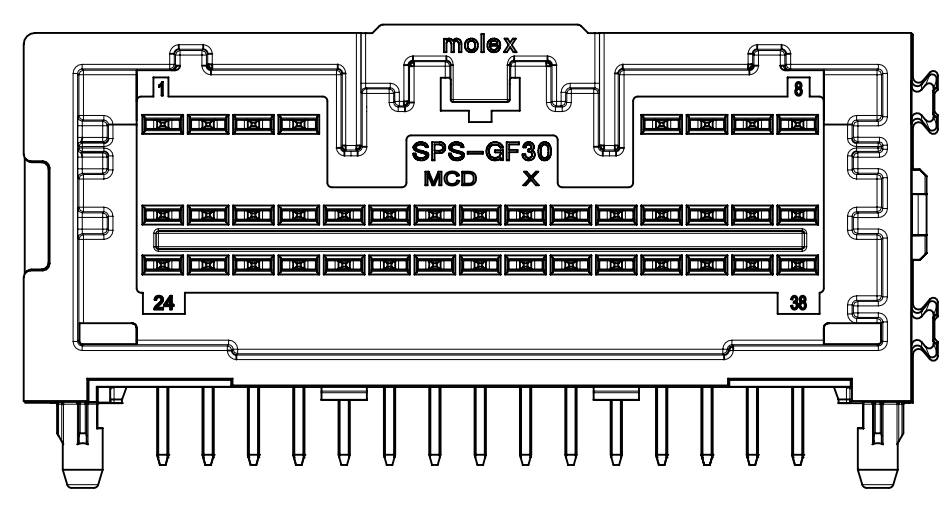
FUNCTIONAL SYMBOLS $F_A = 0$ $F_C = 0$ $F_P = 0$ DIVISIONAL SYMBOLS	THIS DRAWING CONTAINS INFORMATION THAT IS PROPRIETARY TO MOLEX ELECTRONIC TECHNOLOGIES, LLC AND SHOULD NOT BE USED WITHOUT WRITTEN PERMISSION		CURRENT REV DESC: REFER TO REVISION COLUMN	
	DIMENSION UNITS	SCALE		
	mm	3:1		
	GENERAL TOLERANCES (UNLESS SPECIFIED)		PHASE: Design Production	
ANGULAR TOL ± 1.0°		CO NO: CO-000000910		
4 PLACES ±	DRWN: Shanks Wu		2022-04-08	
3 PLACES ±	CHK'D: Ringo Hu		2022-04-29	
2 PLACES ±	APPR: Colin Zhang		2022-05-05	
1 PLACE ±	INITIAL REVISION:			
0 PLACES ±	DRWN: Shanks Wu		2022-04-25	
DRAFT WHERE APPLICABLE MUST REMAIN WITHIN DIMENSIONS		APPR: Colin Zhang		
THIRD ANGLE PROJECTION		DRAWING	SERIES	
		D-SIZE	34961	
		MATERIAL NUMBER	CUSTOMER	
		SD-34961-130	GENERAL MARKET	
		DOCUMENT NUMBER	DOC TYPE DOC PART REVISION	
		PSD	001 B	
		SHEET NUMBER		
		3 OF 5		

TABLE OF CONTENTS	
SHEET NO.	SHEET DESCRIPTION
4	PIN INSERTION DIRECTION VIEW PAP HOLE SHAPE VIEW

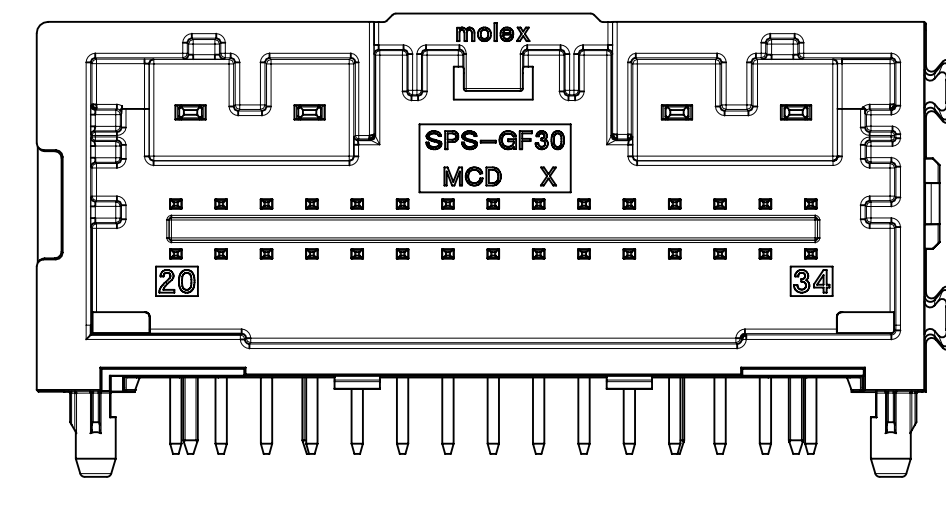
PIN INSERTION DIRECTION VIEW



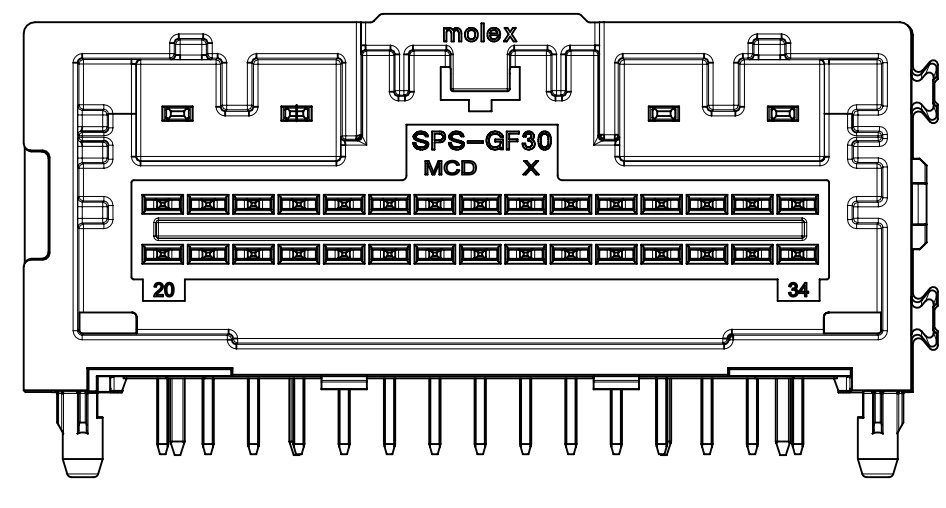
38CKT PIN INSERTION DIRECTION
PCB SIDE TO MATING SIDE



38CKT PIN INSERTION DIRECTION
MATING SIDE TO PCB SIDE

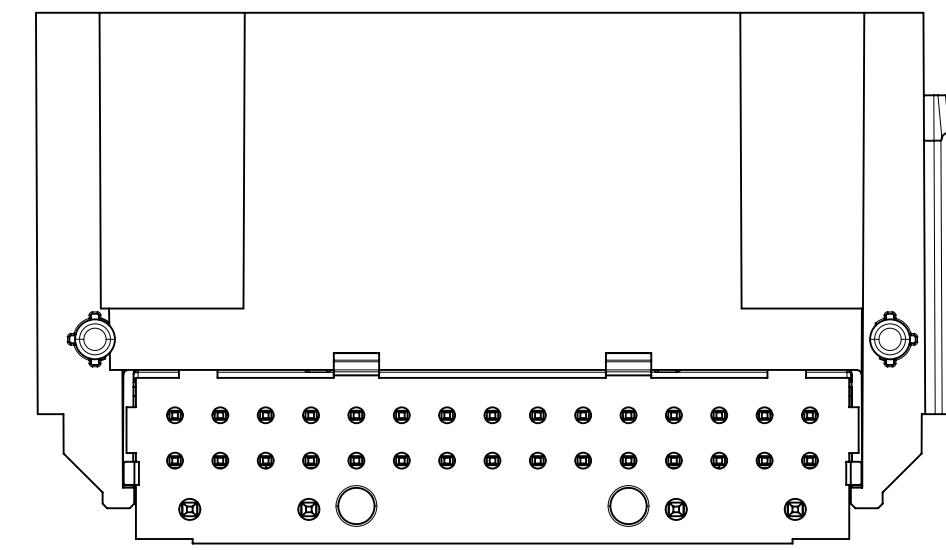


34CKT PIN INSERTION DIRECTION
PCB SIDE TO MATING SIDE

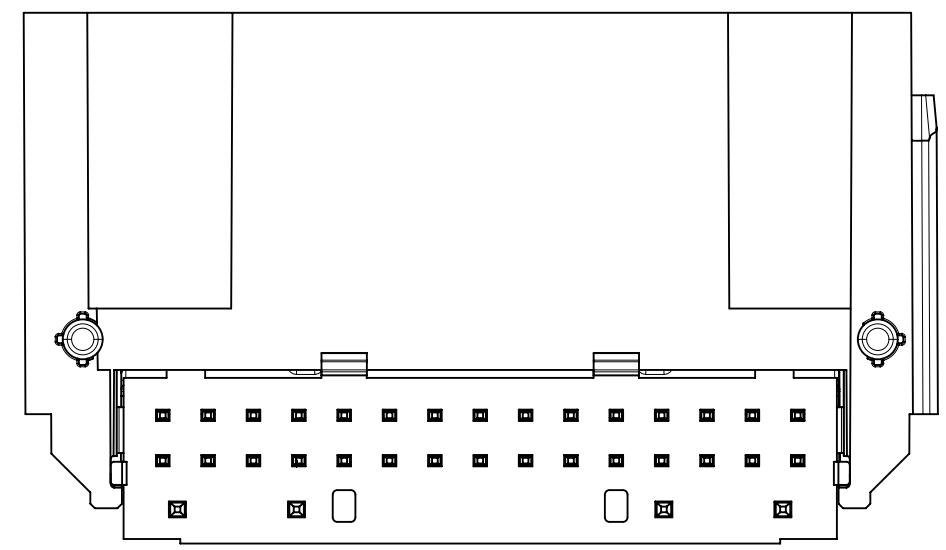


34CKT PIN INSERTION DIRECTION
MATING SIDE TO PCB SIDE

PAP HOLE SHAPE VIEW



PAP HOLE SHAPE
ROUND



PAP HOLE SHAPE
SQUARE

FUNCTIONAL SYMBOLS $\nabla_A = 0$ $\nabla_C = 0$ $\nabla_P = 0$	THIS DRAWING CONTAINS INFORMATION THAT IS PROPRIETARY TO MOLEX ELECTRONIC TECHNOLOGIES, LLC AND SHOULD NOT BE USED WITHOUT WRITTEN PERMISSION DIMENSION UNITS: mm SCALE: 1:1	CURRENT REV DESC: REFER TO REVISION COLUMN PHASE: Design Production CO NO: CO-000000910 DRWN: Shanks Wu 2022-04-08 CHK'D: Ringo Hu 2022-04-29 APPR: Colin Zhang 2022-05-05			
	GENERAL TOLERANCES (UNLESS SPECIFIED) ANGULAR TOL $\pm 1.0^\circ$ 4 PLACES \pm 3 PLACES \pm 2 PLACES \pm 1 PLACE \pm 0 PLACES \pm	INITIAL REVISION: DRWN: Shanks Wu 2022-04-25 APPR: Colin Zhang 2022-05-05	DOCUMENT NUMBER SD-34961-130	DOC TYPE PSD	DOC PART 001
DIVISIONAL SYMBOLS DRAFT WHERE APPLICABLE MUST REMAIN WITHIN DIMENSIONS	THIRD ANGLE PROJECTION 	DRAWING D-SIZE	SERIES 34961	MATERIAL NUMBER GENERAL MARKET	CUSTOMER GENERAL MARKET
		SHEET NUMBER 4 OF 5			