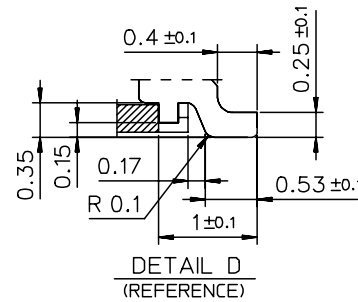
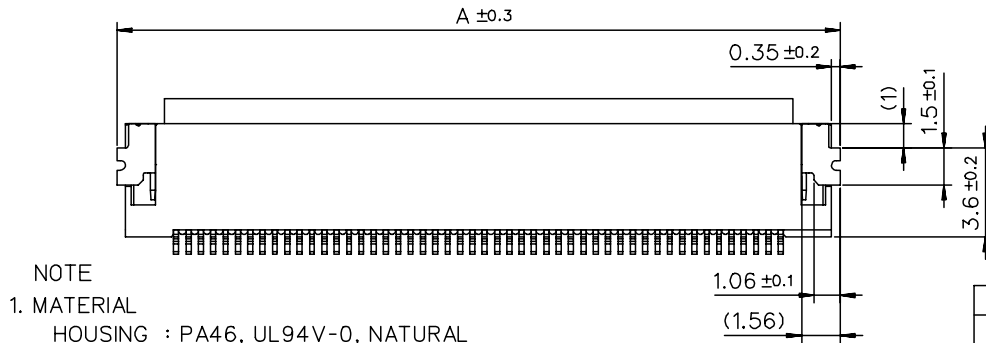
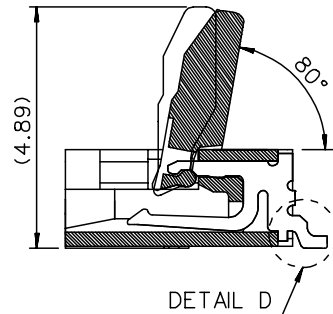
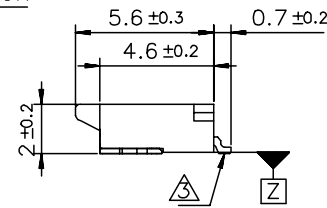
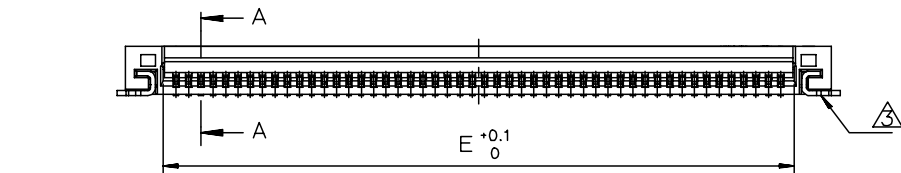
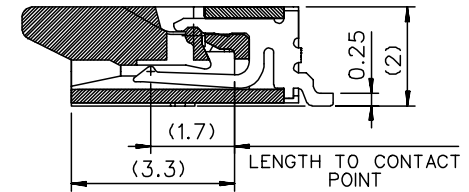
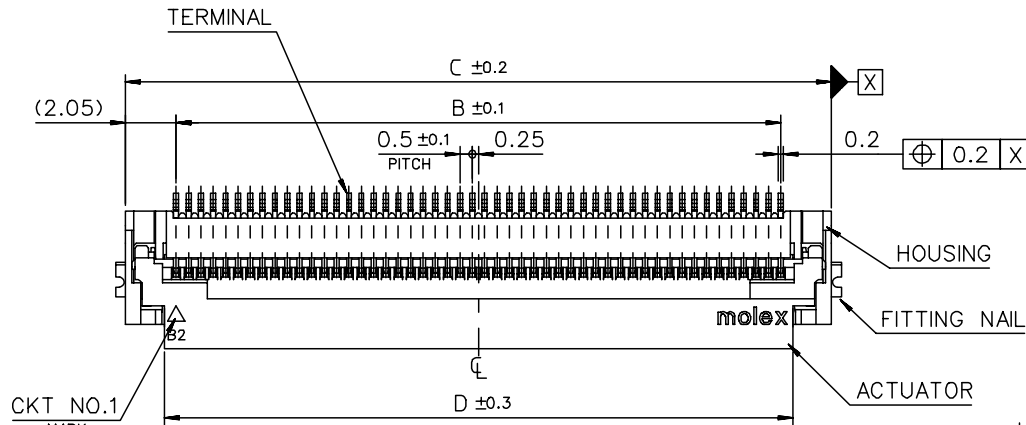


LEAD FREE



NOTE

- MATERIAL
 HOUSING : PA46, UL94V-0, NATURAL
 ACTUATOR : PPS, UL94V-0, BLACK
 TERMINAL : PHOSPHOR BRONZE
 FITTING NAIL : PHOSPHOR BRONZE
- FINISH
 TERMINAL: CONTACT - Au 0.05um MIN. OVER Ni 1um MIN.
 SOLDER TAIL - Au 0.05um MIN. OVER Ni 1um MIN.
 FITTING NAIL - Sn 1~3um OVER Ni 1um MIN.

⚠ MISALIGNMENT OF SOLDER TAIL AND FITTING NAIL FROM [Z]: UPPER DIRECTION 0.05MAX., LOWER DIRECTION 0.1MAX.

30.5	35.3	30.56	30.46	33.6	29.5	34.4	490226060	49022-6060	60
25.5	30.3	25.56	25.46	28.6	24.5	29.4	490225060	49022-5060	50
G	F	E	D	C	B	A	MATERIAL NO.	ENG. NO.	CKT

REVISED EC NO. KOR2007-0064 DRWN: KSKIM 2006/207 CHK: Y.Soo.KIM APPR: Y.Soo.KIM	DESCRIPTION	QUALITY SYMBOLS	GENERAL TOLERANCES: (UNLESS SPECIFIED)	SCALE 5-1	DESIGN UNITS <input checked="" type="checkbox"/> mm <input type="checkbox"/> INCH	THIRD ANGLE PROJECTION	DIMENSIONS: <input type="checkbox"/> mm <input type="checkbox"/> INCH <input type="checkbox"/> mm ONLY		SHT	REV
		MAJOR	mm	INCH	DRAWN BY & DATE HSSHIN 2003/05/12	TITLE: 0.5mm FPC CONN. ZIF, EASY-ON(H=2.0) HOUSING ASS'Y				
		CRITICAL	4 PLACES ±0.	±.	CHECKED BY & DATE Y.Soo.KIM	MATERIAL NO. SEE TABLE				
		C	3 PLACES ±0.	±.	APPROVED BY & DATE Y.Soo.KIM	DRAWING NO. SD-49022-003				
REV	DESCRIPTION	ANGULAR: ± 1 °	1 PLACE ±0. 2	±.	CAD FILENAME	MATERIAL NO. SEE TABLE		SHEET NO. 1 / 2		
DRAFT WHERE APPLICABLE MUST REMAIN WITHIN DIMENSIONS			THIS DRAWING CONTAINS INFORMATION THAT IS PROPRIETARY TO MOLEX INCORPORATED AND SHOULD NOT BE USED WITHOUT WRITTEN PERMISSION.			MATERIAL NO. SEE TABLE		SHEET NO. 1 / 2		

DO NOT SCALE DRAWING
DIMENSION IN METRIC

DWG. NO.

SIMILAR ITEM

PROJECT NO.

C

B

8

7

6

5

4

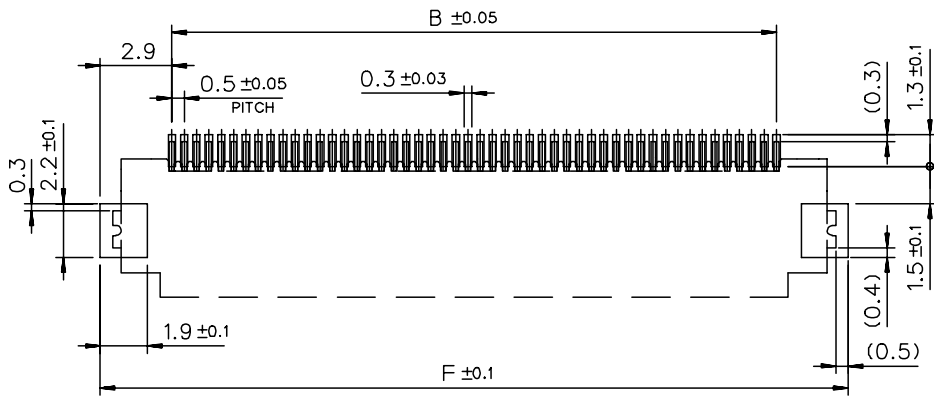
3

2

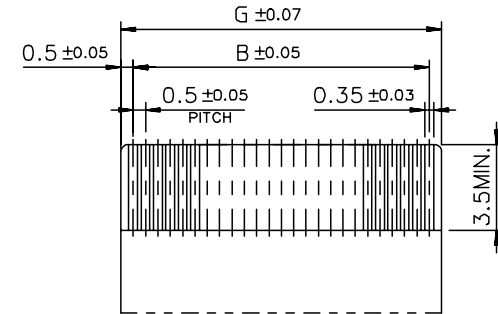
1

MX-A3

LEAD FREE



RECOMMENDED P.C.BOARD
PATTERN DIMENSION(REF.)
COMPONENT SIDE

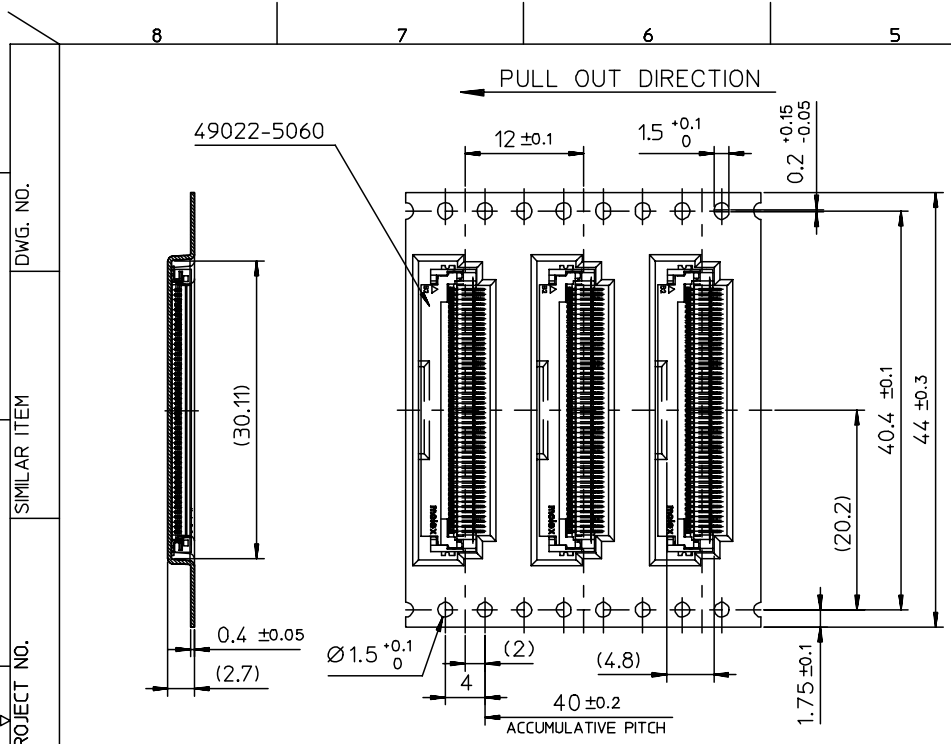


APPLICABLE FPC
RECOMMENDED DIMENSION
(THICKNESS : 0.12 ±0.02)

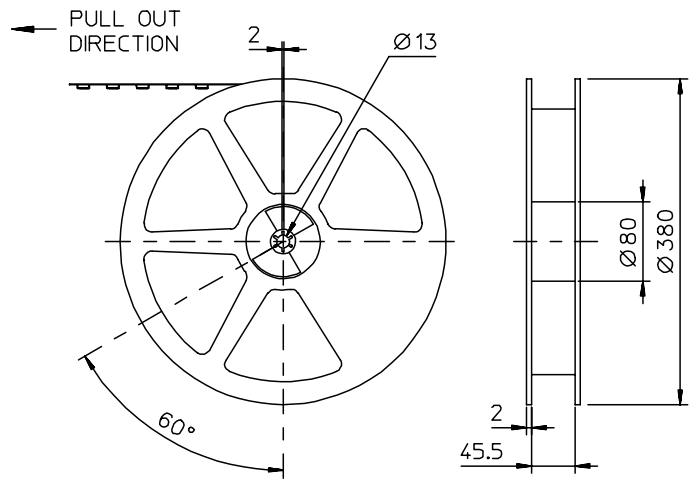
30.5	35.3	30.56	30.46	33.6	29.5	34.4	490226060	49022-6060	60
25.5	30.3	25.56	25.46	28.6	24.5	29.4	490225060	49022-5060	50
G	F	E	D	C	B	A	MATERIAL NO.	ENG. NO.	CKT

DO NOT SCALE DRAWING
DIMENSION IN METRIC

REVISED EC NO. KOR2007-0064 DRWN: KSKIM, 2006/207 CHK: Y.Soo.KIM APPR: Y.Soo.KIM	DESCRIPTION MAJOR CRITICAL	QUALITY SYMBOLS		GENERAL TOLERANCES: (UNLESS SPECIFIED)		SCALE 5-1	DESIGN UNITS <input checked="" type="checkbox"/> mm <input type="checkbox"/> INCH	THIRD ANGLE PROJECTION		DIMENSIONS: <input type="checkbox"/> mm <input type="checkbox"/> INCH <input type="checkbox"/> mm <input checked="" type="checkbox"/> mm ONLY		SHT	REV
		4 PLACES	±0.	±.	DRAWN BY & DATE HSSHIN 2003/05/12	TITLE: 0.5mm FPC CONN. ZIF, EASY-ON(H=2.0) HOUSING ASS'Y		MATERIAL NO.		DRAWING NO.	SHEET NO.		
REV	DESCRIPTION	3 PLACES	±0.	±.	CHECKED BY & DATE Y.Soo.KIM	MOLEX INCORPORATED		SEE TABLE		SD-49022-003	2 / 2	SIZE B	
		2 PLACES	±0.15	±.	APPROVED BY & DATE Y.Soo.KIM	THIS DRAWING CONTAINS INFORMATION THAT IS PROPRIETARY TO MOLEX INCORPORATED AND SHOULD NOT BE USED WITHOUT WRITTEN PERMISSION.							
		1 PLACE	±0.2	±.	CAD FILENAME	DRAFT WHERE APPLICABLE MUST REMAIN WITHIN DIMENSIONS							



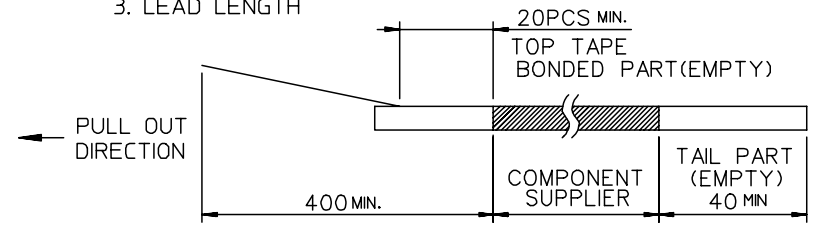
50 CIRCUITS



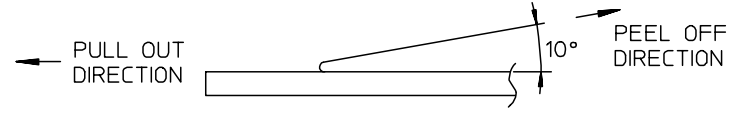
LEAD FREE

NOTE

1. REFER TO THE DRAWING 49022-5060 FOR CONNECTOR DIMENSIONS.
2. QUANTITY OF CONNECTORS : 3,000PCS/REEL
3. LEAD LENGTH



4. PEELING OFF FORCE OF TOP TAPE : 0.1N~0.7N(10.2gf~71.4gf)
(PEELING DIRECTION AS SHOWN IN FOLLOW FIG.)
- THIS REQUIREMENT SHOULD BE APPLIED AT SHIPMENT.
- PEEL OFF SHOULD NOT BE ALLOWED, DURING TRANSPORTATION.

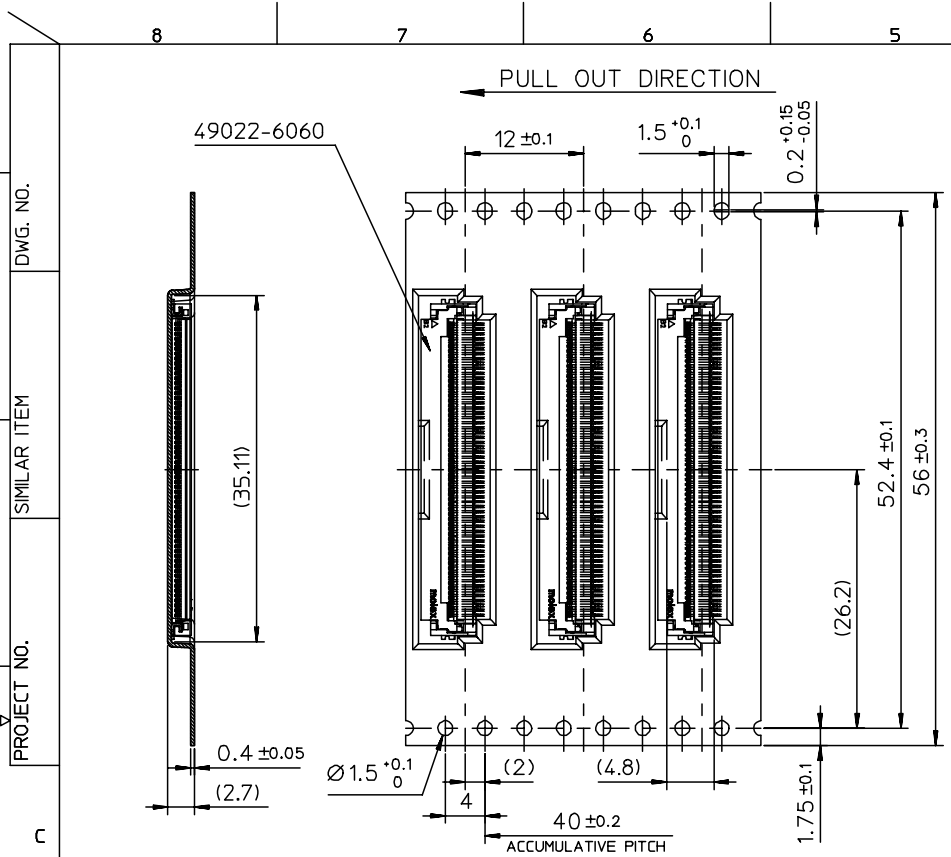


5. MATERIAL
- CARRIER TAPE : POLYETHYLENE TEREPHTHALATE(PET)
(ANTISTATIC TREATMENT)
- TOP TAPE : POLYETHYLENE TEREPHTHALATE(PET)
(ANTISTATIC TREATMENT)
- REEL : POLYSTYRENE

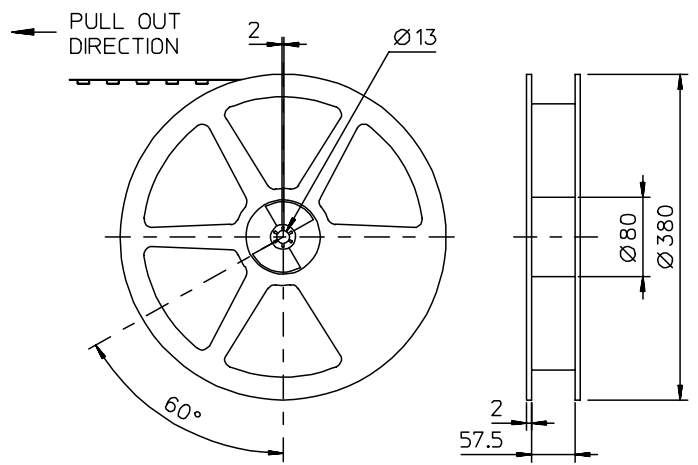
DO NOT SCALE DRAWING DIMENSION IN METRIC

490225067	49022-5067	50
MATERIAL NO.	ENG. NO.	CKT

REVISED EC NO. KOR2007-0064 DRWN: KSKIM 20061207 CHK: Y.Soo.KIM APPR: Y.Soo.KIM	DESCRIPTION MAJOR CRITICAL	GENERAL TOLERANCES: (UNLESS SPECIFIED)		SCALE 2-1	DESIGN UNITS <input checked="" type="checkbox"/> mm <input type="checkbox"/> INCH	THIRD ANGLE PROJECTION	DIMENSIONS: <input type="checkbox"/> mm <input type="checkbox"/> INCH <input type="checkbox"/> mm <input checked="" type="checkbox"/> ONLY	SHT	REV
		4 PLACES ±0.	±.	DRAWN BY & DATE HSSHIN 2003/05/12	TITLE: 0.5mm FPC CONN. ZIF, EASY-ON(H=2.0) EMBOSSED TAPE PACKAGE				
D2	REV	3 PLACES ±0.	±.	CHECKED BY & DATE Y.Soo.KIM	MATERIAL NO. SEE TABLE		DRAWING NO. SD-49022-004	SHEET NO. 1 / 2	
		2 PLACES ±0. 2	±.	APPROVED BY & DATE Y.Soo.KIM	MATERIAL NO. SEE TABLE		DRAWING NO. SD-49022-004	SHEET NO. 1 / 2	
		1 PLACE ±0. 2	±.	CAD FILENAME	MATERIAL NO. SEE TABLE		DRAWING NO. SD-49022-004	SHEET NO. 1 / 2	
ANGULAR: ± 1 °				DRAFT WHERE APPLICABLE MUST REMAIN WITHIN DIMENSIONS		THIS DRAWING CONTAINS INFORMATION THAT IS PROPRIETARY TO MOLEX INCORPORATED AND SHOULD NOT BE USED WITHOUT WRITTEN PERMISSION.			
								SIZE B	



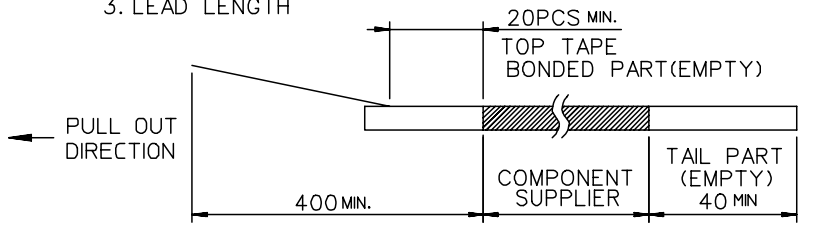
60 CIRCUITS



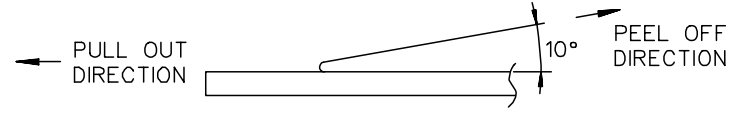
LEAD FREE

NOTE

1. REFER TO THE DRAWING 49022-6060 FOR CONNECTOR DIMENSIONS.
2. QUANTITY OF CONNECTORS : 3,000PCS/REEL
3. LEAD LENGTH



4. PEELING OFF FORCE OF TOP TAPE : 0.1N~0.7N(10.2gf~71.4gf)
(PEELING DIRECTION AS SHOWN IN FOLLOW FIG.)
- THIS REQUIREMENT SHOULD BE APPLIED AT SHIPMENT.
- PEEL OFF SHOULD NOT BE ALLOWED, DURING TRANSPORTATION.



5. MATERIAL
- CARRIER TAPE : POLYETHYLENE TEREPHTHALATE(PET)
(ANTISTATIC TREATMENT)
- TOP TAPE : POLYETHYLENE TEREPHTHALATE(PET)
(ANTISTATIC TREATMENT)
- REEL : POLYSTYRENE

DO NOT SCALE DRAWING DIMENSION IN METRIC

490226067	49022-6067	60
MATERIAL NO.	ENG. NO.	CKT

REVISED EC NO. KOR2007-0064 DRWN: KSKIM 2006/2007 CHK: Y.Soo.KIM APPR: Y.Soo.KIM	QUALITY SYMBOLS MAJOR CRITICAL C	GENERAL TOLERANCES: (UNLESS SPECIFIED)		SCALE 2-1	DESIGN UNITS <input checked="" type="checkbox"/> mm <input type="checkbox"/> INCH	<input checked="" type="checkbox"/> THIRD ANGLE PROJECTION	SHT REV
		4 PLACES ±0. ±.	DRAWN BY & DATE KSKIM 2006/08/07	TITLE: 0.5mm FPC CONN. ZIF, EASY-ON(H=2.0) EMBOSSED TAPE PACKAGE		DIMENSIONS: <input type="checkbox"/> mm <input type="checkbox"/> INCH <input type="checkbox"/> mm <input checked="" type="checkbox"/> ONLY	REVISE ON CAD ONLY
		3 PLACES ±0. ±.	CHECKED BY & DATE Y.Soo.KIM	MOLEX INCORPORATED		SHEET NO. 2 / 2	
		2 PLACES ±0. 2 ±.	APPROVED BY & DATE Y.Soo.KIM	MATERIAL NO. SEE TABLE	DRAWING NO. SD-49022-004	SIZE B	
1 PLACE ±0. 2 ±.	ANGULAR: ± 1 °	CAD FILENAME	THIS DRAWING CONTAINS INFORMATION THAT IS PROPRIETARY TO MOLEX INCORPORATED AND SHOULD NOT BE USED WITHOUT WRITTEN PERMISSION.		MX-A3		
D2	DESCRIPTION REV	DRAFT WHERE APPLICABLE MUST REMAIN WITHIN DIMENSIONS		THIS DRAWING CONTAINS INFORMATION THAT IS PROPRIETARY TO MOLEX INCORPORATED AND SHOULD NOT BE USED WITHOUT WRITTEN PERMISSION.		SHEET NO. 2 / 2	