

MATERIALS AND FINISHES:

SMA JACK RP BULKHEAD IP68 CONNECTOR:

BODY, CRIMP TUBE, JAM NUT: BRASS
PLATED GOLD

CENTER CONTACT: BERYLLIUM COPPER
PLATED GOLD

INSULATOR: PTFE

LOCK WASHER: PHOSPHOR BRONZE
PLATED GOLD

GASKET: SILICONE RUBBER

MHF® I LK CONNECTOR:

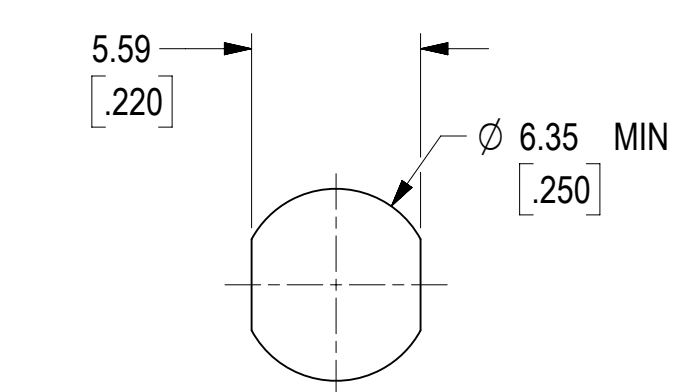
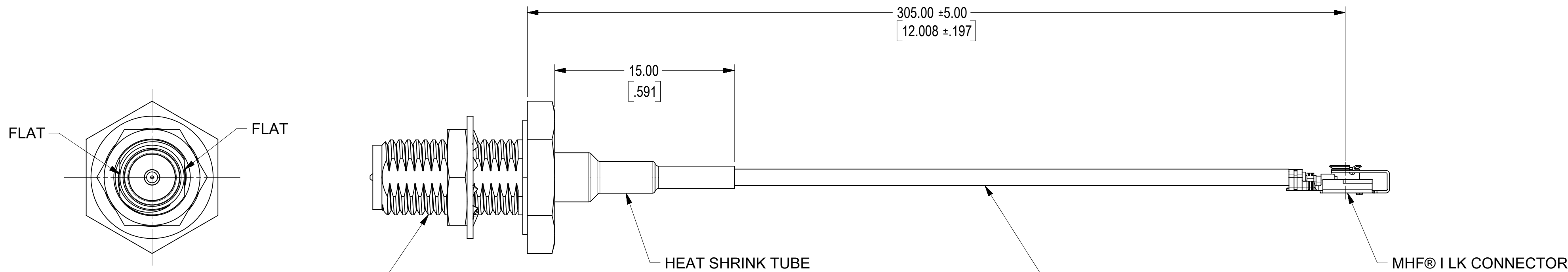
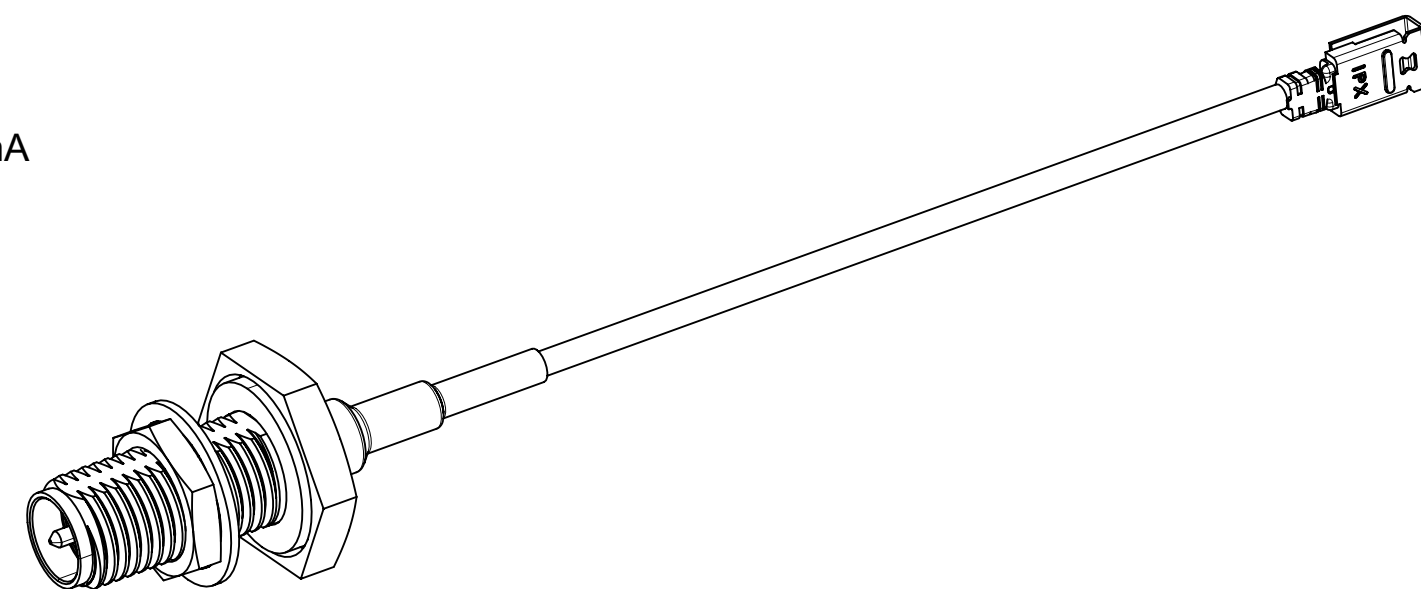
CABLE: 1.37MM CABLE

HEAT SHRINK TUBE: PE

PERFORMANCE REQUIREMENTS

FREQUENCY RANGE: 0~6GHz
IMPEDANCE: 50 Ω
WITHSTAND VOLTAGE(AC): 350V @0.5mA
CONTINUITY: 100% TEST
PANEL LEAKAGE: IP68

PACKAGING BY PLASTIC BAG



PART # 73230-6140

FUNCTIONAL SYMBOLS	THIS DRAWING CONTAINS INFORMATION THAT IS PROPRIETARY TO MOLEX ELECTRONIC TECHNOLOGIES, LLC AND SHOULD NOT BE USED WITHOUT WRITTEN PERMISSION		CURRENT REV DESC:		molex
	DIMENSION UNITS	SCALE			
$\nabla_A = 0$	MM/INCH	4:1			CA, SMA JACK RP BULKHEAD IP68 TO MHF® I LK WITH DIA 1.37MM CABLE, 50 OHMS, EWR#: 15301-A
$\nabla_C = 0$	GENERAL TOLERANCES (UNLESS SPECIFIED)				
$\nabla_P = 0$	ANGULAR TOL ± °				PRODUCT CUSTOMER DRAWING
DIVISIONAL SYMBOLS	4 PLACES ±		EC NO: 727067		
	3 PLACES ±		DRWN: YHUANG11	2022/07/19	
	2 PLACES ±		CHK'D: JCHEN108	2022/11/04	
	1 PLACE ±		APPR: LCHEN03	2022/11/04	
	0 PLACES ±		INITIAL REVISION:		
	DRAFT WHERE APPLICABLE MUST REMAIN WITHIN DIMENSIONS		DRWN: YHUANG11	2022/07/19	
	THIRD ANGLE PROJECTION		APPR: LCHEN03	2022/11/04	
	DRAWING	SERIES	MATERIAL NUMBER	CUSTOMER	DOCUMENT NUMBER
	C-SIZE	73230	73230-6140	GENERAL MARKET	732306140
					DOC TYPE
					PSD
					DOC PART
					000
					REVISION
					A
					SHEET NUMBER
					1 OF 1