

NOTES

- ① 材料及び仕上げ(めっき仕様) : TABLE 1 参照
MATERIAL AND FINISHES : SEE TABLE 1
- 2. 梱包形態 : SHEET 3 参照
PACKAGING INFORMATION : SEE SHEET 3
- ③ 嵌合相手 : 78172 シリーズ
MATES WITH:78172 SERIES
- 4. 製品仕様書 : 781720000-PS PS 000
PRODUCT SPECIFICATION:781720000-PS PS 000
- 5. アプリケーション仕様書(コネクタ取扱い説明書) : AS-78172-001
APPLICATION SPECIFICATION(CONNECTOR MANUAL): AS-78172-001
- 6. 端子テール部及びネイルの平坦度:0.1 MAX.
TAIL AND NAIL COPLANARITY TO BE 0.1 MAX.
- ⑦ 極数 = 偶数に適応
APPLY FOR CIRCUIT SIZE = EVEN
- 8. ELV及びRoHS適合品。
ELV & RoHS COMPLIANT.
- 9. オーダー番号は以下の内容を示す
ORDER No INDICATES AS BELOW:
78171500*

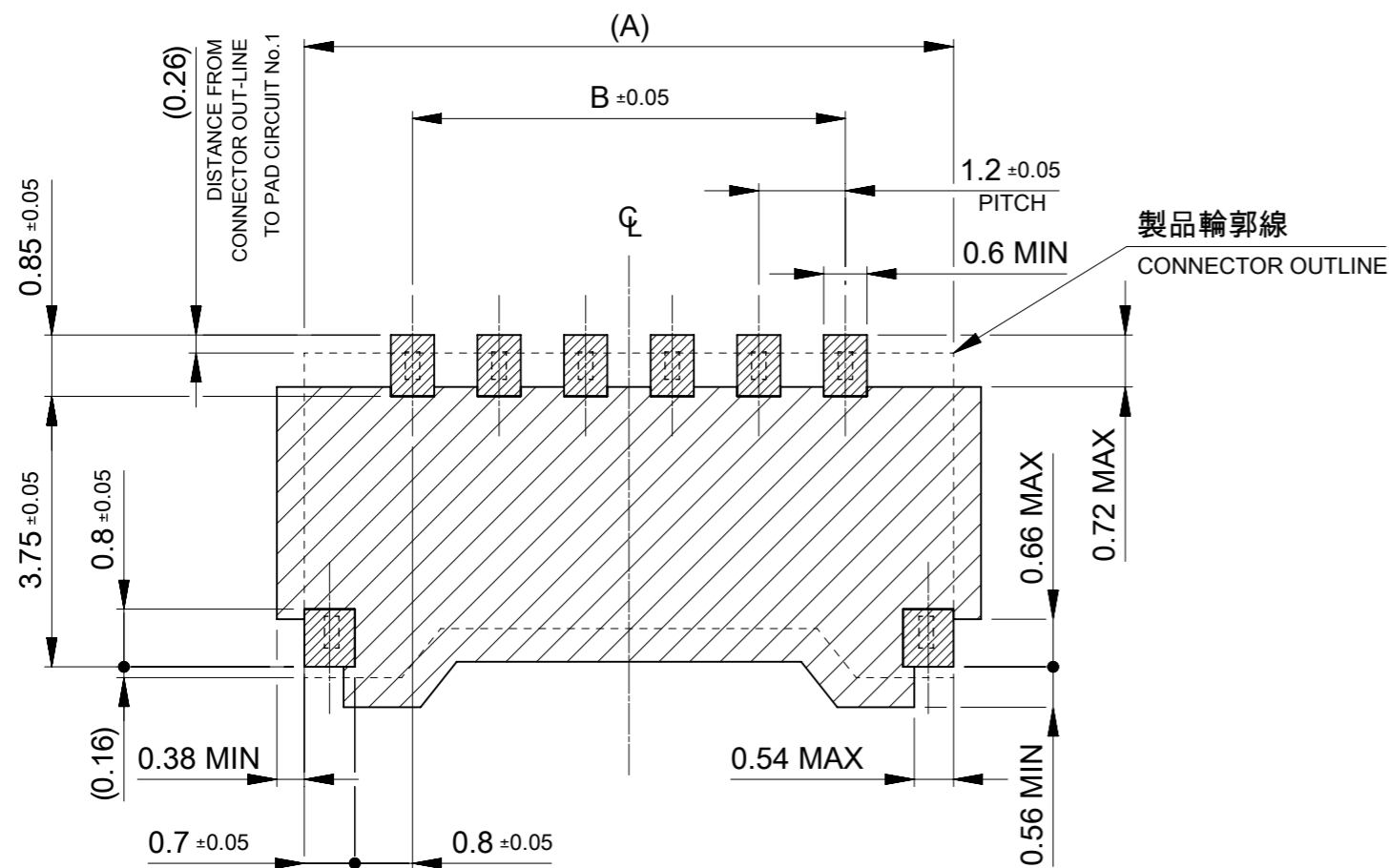
① **TABLE 1**

番号 No.	部品 PART	仕様 SPECIFICATION
①	ハウジング HOUSING	ポリアミド(PA), ガラス充填, UL94 V-0, 色 : 黒 POLYAMIDE(PA), GLASS FILLED, UL94 V-0, COLOR: BLACK
②	ターミナル TERMINAL	材料 MATERIAL
		下地めっき UNDER PLATING
		接点部めっき CONTACT PLATING
③	ネイル NAIL	材料 MATERIAL
		下地めっき UNDER PLATING
		表面めっき SURFACE PLATING
		表面めっき SURFACE PLATING

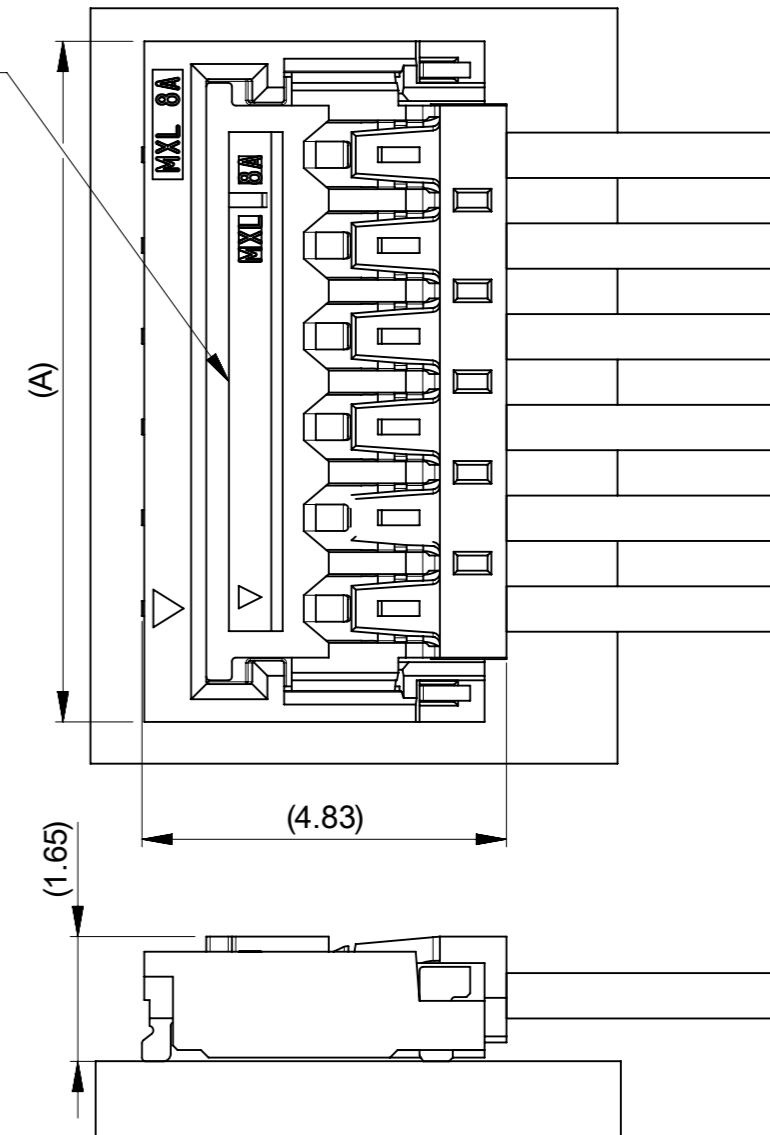
7.8	8.62	7.2	10.2	781715007	7
6.6	7.42	6.0	9	781715006	6
D	C	B	A	オーダー番号 ORDER No	極数 CIRCUIT SIZE

THIS DRAWING CONTAINS INFORMATION THAT IS PROPRIETARY TO MOLEX ELECTRONIC TECHNOLOGIES, LLC AND SHOULD NOT BE USED WITHOUT WRITTEN PERMISSION


DIMENSION UNITS mm	SCALE NTS	CURRENT REV DESC: REDRAWN	molex		
GENERAL TOLERANCES (UNLESS SPECIFIED)					
ANGULAR TOL	± 3.0 °		PICO-EZMATE 1.2 WIRE TO BOARD CONNECTOR 6-7 CKT PLUG ASSEMBLY		
4 PLACES	± 0.2	EC NO: 677110	PRODUCT CUSTOMER DRAWING		
3 PLACES	± 0.2	DRWN: HHUSSIN 2020/09/30	DOCUMENT NUMBER		
2 PLACES	± 0.2	CHK'D: SAKIYAMA 2022/06/06	DOC TYPE DOC PART REVISION		
1 PLACE	± 0.2	APPR: AIDA 2022/06/07	781710001-SD PSD 000 A		
0 PLACES	± 0.2	INITIAL REVISION: DRWN: HHUSSIN 2020/09/30 APPR: AIDA 2022/06/07	SHEET NUMBER		
DRAFT WHERE APPLICABLE MUST REMAIN WITHIN DIMENSIONS	THIRD ANGLE PROJECTION	DRAWING A3-SIZE	SERIES 78171	MATERIAL NUMBER SEE CHART	CUSTOMER GENERAL




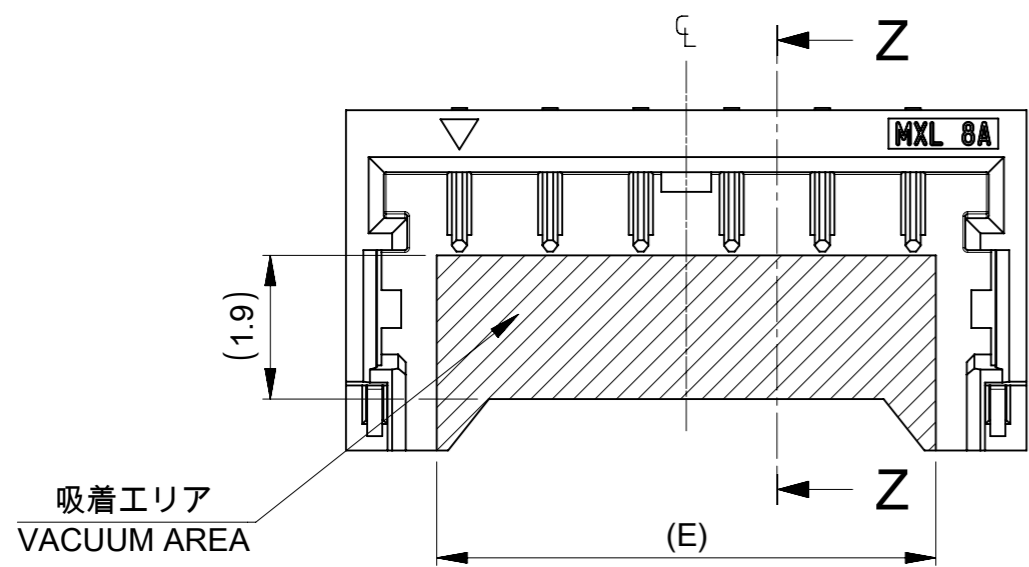
△3 嵌合相手 : 78172シリーズ
MATE WITH : 78172 SERIES



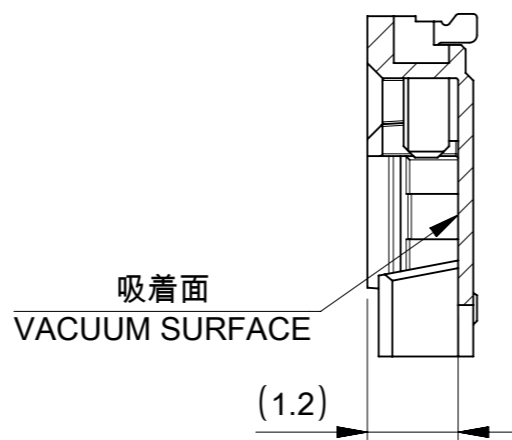
嵌合図
MATED CONNECTORS

 推奨基板レイアウト : 実装面側
(参考 : 基板厚1.0mm、メタルマスク厚さ 0.1mm、マスク開口100%)
RECOMMENDED PCB LAYOUT : COMPONENT SIDE
(REFERENCE:PCB THICKNESS 1.0mm,STENCIL THICKNESS 0.1mm APERTURE RATIO 100%)

 パターン非推奨エリア
パターンを引き回す際は、製品機能に影響がないことをご確認ください。
PATTERN IS NOT RECOMMENDED ON THE HATCHED AREA.
PLEASE CHECK NOT TO HAVE PROBLEM FOR PRODUCT FUNCTION
WHEN SETTING PATTERN ON THE HATCHED AREA.

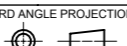


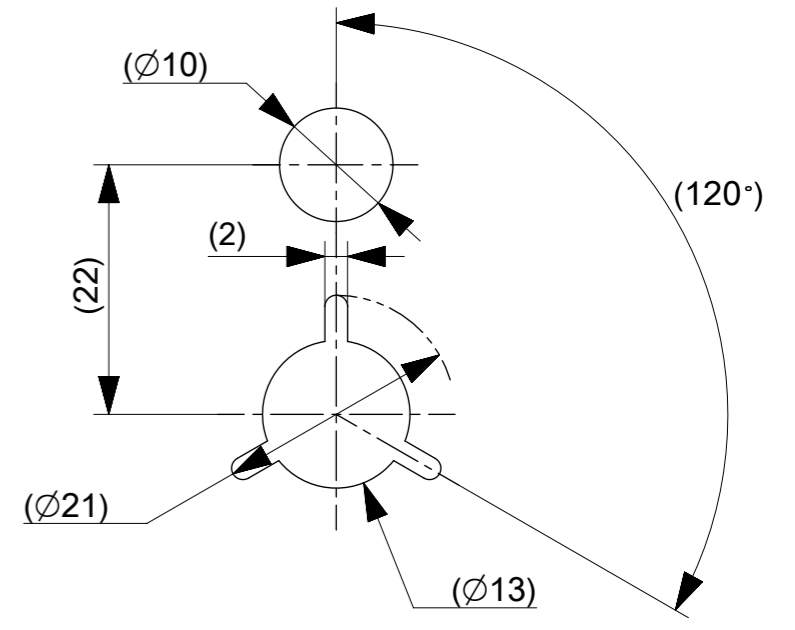
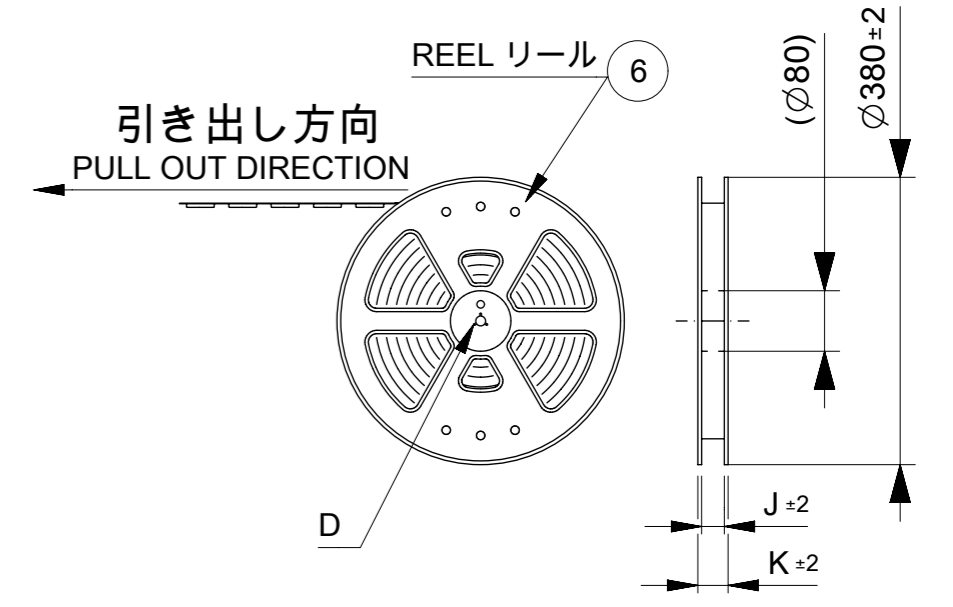
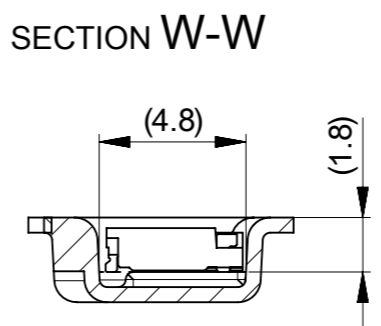
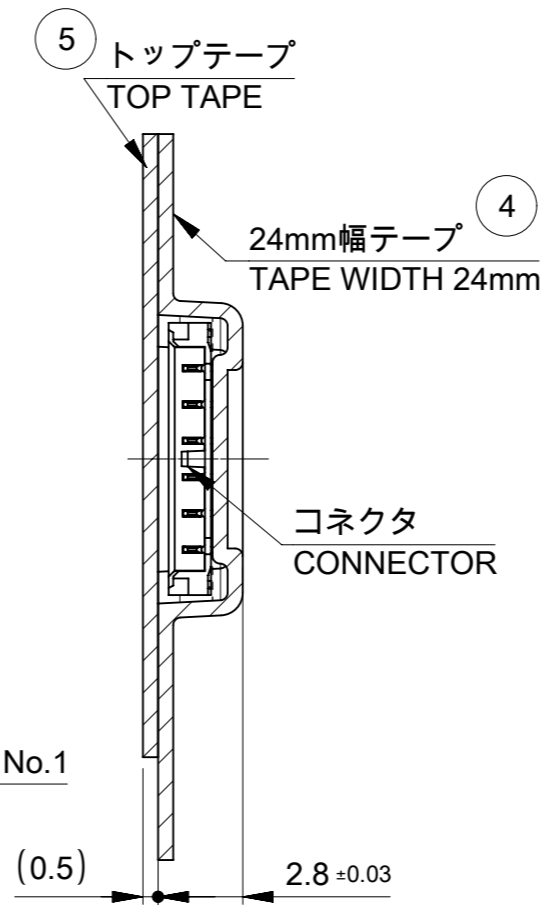
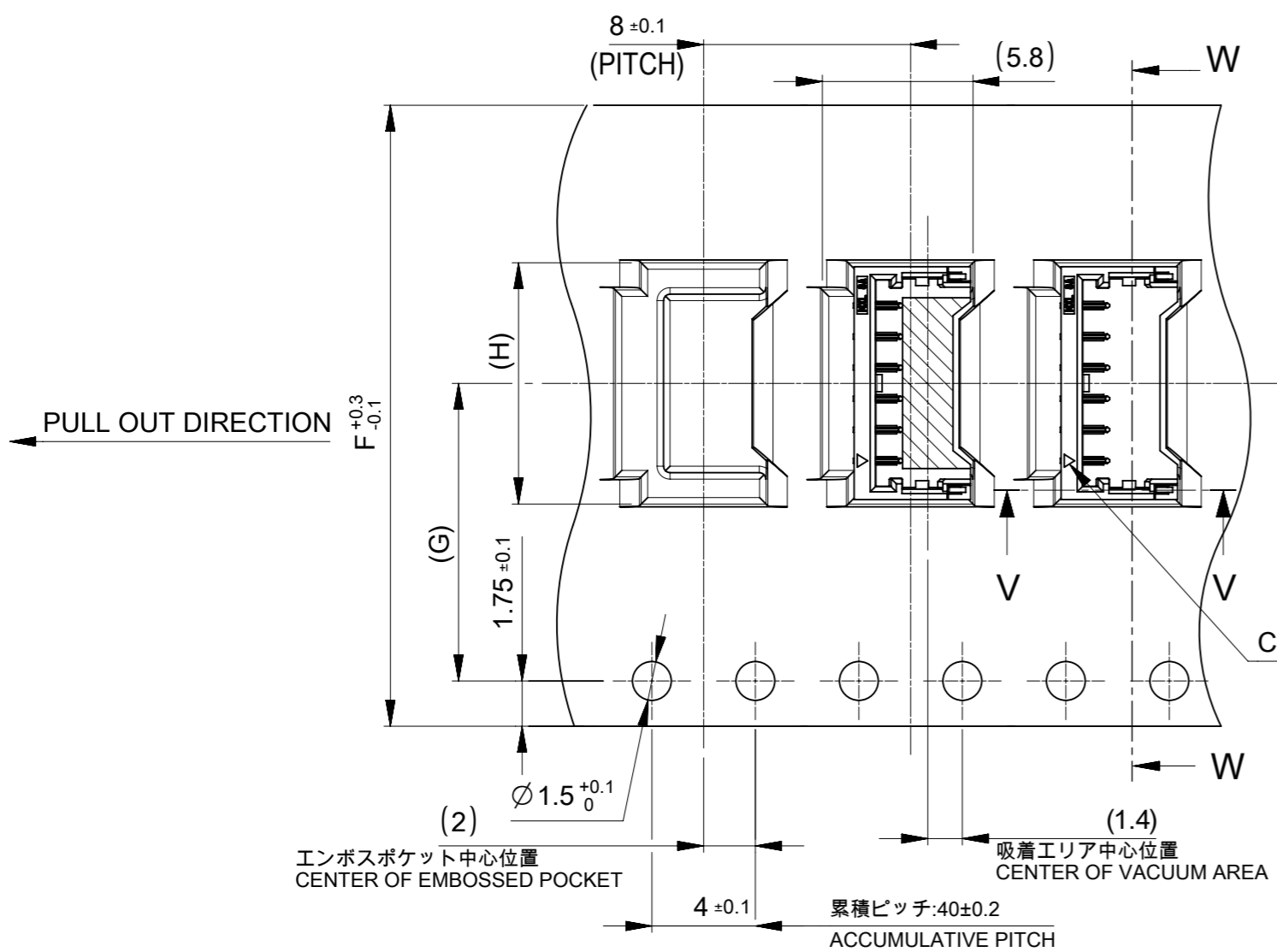
推奨吸着エリア
(RECOMMENDED VACUUM AREA)



SECTION Z-Z

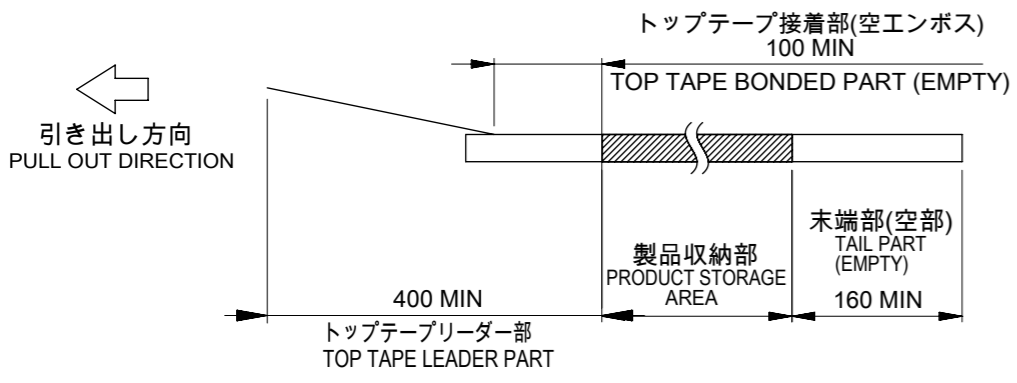
7.8	7
6.6	6
E	極数 CIRCUIT SIZE

THIS DRAWING CONTAINS INFORMATION THAT IS PROPRIETARY TO MOLEX ELECTRONIC TECHNOLOGIES, LLC AND SHOULD NOT BE USED WITHOUT WRITTEN PERMISSION		CURRENT REV DESC: REDRAWN		molex		
DIMENSION UNITS	SCALE					PICO-EZMATE 1.2 WIRE TO BOARD CONNECTOR 6-7 CKT PLUG ASSEMBLY
mm	NTS					
GENERAL TOLERANCES (UNLESS SPECIFIED)						
ANGULAR TOL	± 3.0 °					
4 PLACES	± 0.2	EC NO: 677110				
3 PLACES	± 0.2	DRWN: HHUSSIN	2020/09/30			
2 PLACES	± 0.2	CHK'D: SAKIYAMA	2022/06/06			
1 PLACE	± 0.2	APPR: AIDA	2022/06/07			
0 PLACES	± 0.2	INITIAL REVISION:		DOCUMENT NUMBER		
DRAFT WHERE APPLICABLE MUST REMAIN WITHIN DIMENSIONS		THIRD ANGLE PROJECTION	DRAWING	SERIES	MATERIAL NUMBER	CUSTOMER
			A3-SIZE	78171	781710001-SD	GENERAL
					PSD	000
						A
						2 OF 3



NOTES

- 10. 梱包数量 : 4500個/リール
NUMBER OF CONNECTORS : 4500 PIECES/REEL
- 11. リードテープ長さ
LEAD TAPE LENGTH



- 12. エンボステープおよびリールはEIA-481に準拠。
TAPE AND REEL IS DEFINED BY EIA-481.
- 13. トップテープの剥離強度 : IEC60286-3に準拠。
TOP TAPE PEELING FORCE: DEFINED BY IEC60286-3.
- 14. 梱包仕様書 : SPK-78171-002
PACKAGING SPECIFICATION: SPK-78171-002
- 15. 本製品は乾燥材入り、ハイバリア梱包による納品となります。
THIS IS EMBOSSED PACKAGE FOR HIGH BARRIER PACKAGE WITH DESICCANT.

29.4	25.4	10.5	11.5	24	7
		9.3			6
K	J	H	コネクタ中心位置G CENTER OF CONNECTOR	エンボステープ幅F WIDTH OF TAPE	極数 CIRCUIT SIZE

番号 NO.	部品 PART	材質 MATERIAL
4	エンボステープ EMBOSSED TAPE	ポリプロピレン(PP)、その他 POLYPROPYLENE(PP), etc
5	トップテープ TOP TAPE	ポリエチレン(PE)、その他 POLYETHYLENE(PE), etc
6	リール REEL	ポリスチレン(PS) <リサイクル材を含む> POLYSTYRENE(PS) <RECYCLE MATERIAL CONTAINED>

THIS DRAWING CONTAINS INFORMATION THAT IS PROPRIETARY TO MOLEX ELECTRONIC TECHNOLOGIES, LLC AND SHOULD NOT BE USED WITHOUT WRITTEN PERMISSION		CURRENT REV DESC: REDRAWN		molex	
DIMENSION UNITS mm	SCALE NTS	GENERAL TOLERANCES (UNLESS SPECIFIED)			
ANGULAR TOL ± 3.0°		EC NO: 677110		PRODUCT CUSTOMER DRAWING	
4 PLACES ± 0.2		DRWN: HHUSSIN 2020/09/30		DOCUMENT NUMBER	
3 PLACES ± 0.2		CHK'D: SAKIYAMA 2022/06/06		DOC TYPE DOC PART REVISION	
2 PLACES ± 0.2		APPR: AIDA 2022/06/07		781710001-SD	
1 PLACE ± 0.2		INITIAL REVISION:		PSD 000 A	
0 PLACES ± 0.2		DRWN: HHUSSIN 2020/09/30		MATERIAL NUMBER	
DRAFT WHERE APPLICABLE MUST REMAIN WITHIN DIMENSIONS		APPR: AIDA 2022/06/07		CUSTOMER	
THIRD ANGLE PROJECTION		DRAWING		SHEET NUMBER	
A3-SIZE		SERIES		3 OF 3	
		78171		SEE CHART	
				GENERAL	