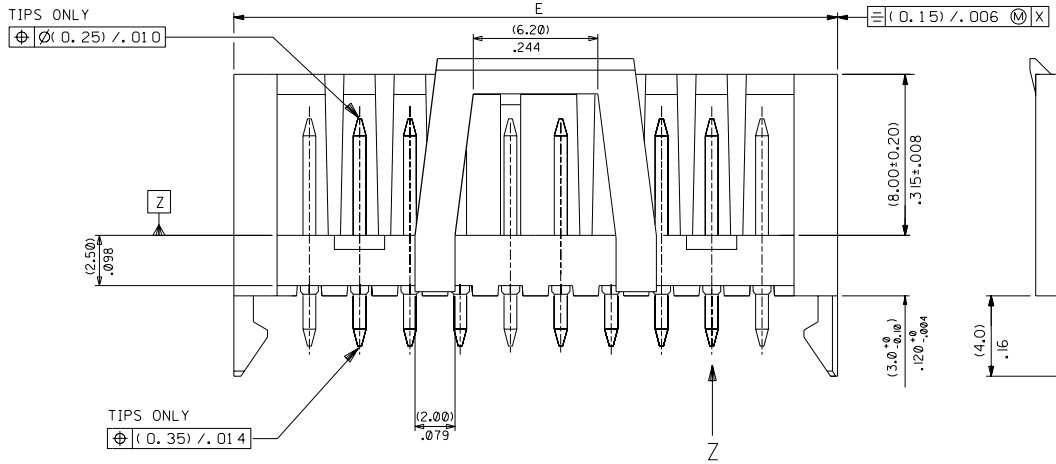
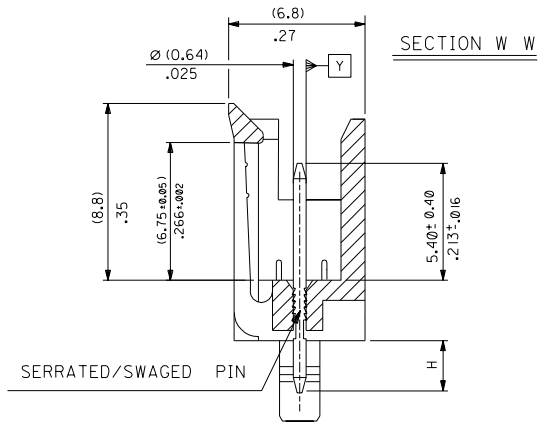
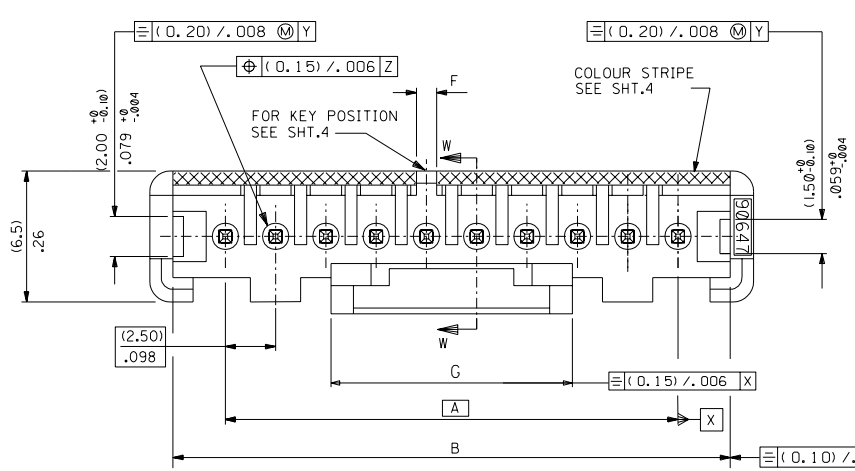


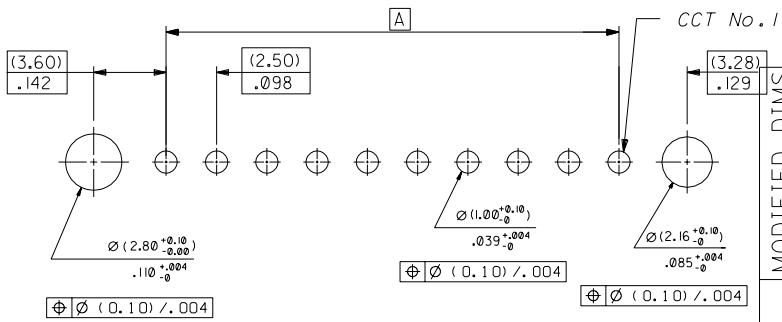
PART NO. SEE CHART
 DWG. NO. SDA-90647E



RECOMMENDED P.C.B. HOLE LAYOUT
 SEEN FROM SOLDER SIDE OF P.C.B.
 PCB THICKNESS 1.50 TO 1.60.

NOTES :

1. MATERIALS;
 HOUSING: 15% GF NATURAL (WHITE) POLYESTER, RATED UL 94V-0
 PINS: BRASS.
 PLATING: (3um) / .118uin MIN. TIN
 TO 95/5 OVER (2um) / .078uin MIN. COPPER OR NICKEL.
2. FOR ALL UNSTATED DIMENSIONS, COLOUR I.D AND
 KEYING POSITIONS SEE SHEET 4.



MODIFIED DIMS
 EC NO. E2004-1124
 DRWN: DBYRNES 18/05/04
 CHK: BMAGUIRE 28/05/04
 APPR: BMAGUIRE 28/05/04

QUALITY SYMBOLS
 MAJOR =
 CRITICAL =

GENERAL TOLERANCES: (UNLESS SPECIFIED)	DIMENSIONS:	
	mm	INCH
4 PLACES ±0.	±.	
3 PLACES ±0.	±.006	
2 PLACES ±0.15	±.008	
1 PLACE ±0.25	±.	
ANGULAR: ±1/2 °		

SCALE 4:1	DESIGN UNITS <input type="checkbox"/> mm <input type="checkbox"/> INCH
DRAWN BY & DATE DOS 94/05/18	
CHECKED BY & DATE BM 94/05/18	
APPROVED BY & DATE MW 94/05/18	
CAD FILENAME S90647X3.DGN	MATERIAL NO. SEE CHART

THIRD ANGLE PROJECTION		SHT	REV
TITLE: 2.5mm UF Hdr W+B V+ Ltc (6-20ck+ only)		REVISE ON CAD ONLY	
MOLEX INCORPORATED			
DRAWING NO. SDA-90647		SHEET NO. 30F4	

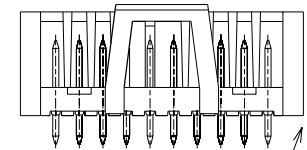
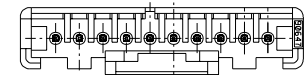
DRAFT WHERE APPLICABLE MUST REMAIN WITHIN DIMENSIONS
 THIS DRAWING CONTAINS INFORMATION THAT IS PROPRIETARY TO MOLEX INCORPORATED AND SHOULD NOT BE USED WITHOUT WRITTEN PERMISSION.

PART NO. SEE CHART
DWG. NO. SDA-90647

CCT SIZE	ENG. NUMBER	A	B ±(0.25) ±0.10	E ±(0.25) ±0.10	KEY		COLOUR I.D	G ±(0.20) ±.008	VOID POS: N CCT NO.	
					POSN. CCT. No.	F ±(0.10) ±.004				
6	90647-006	(12.5)	(17.7)	(20.0)	2	(1.00) .059	NATURAL	(12.0) .472	4	
	▲ --106				3					RED
	--206				4					GREEN
	--306				5					BLUE
	--406				NONE					PURPLE
7	--007	(15.0)	(20.2)	(22.5)	2	(1.00) .059	NATURAL	(14.5) .571		
	--107				3				RED	
	--207				4				GREEN	
	--307				5				BLUE	
	--407				NONE				PURPLE	
8	--008	(17.5)	(22.7)	(25.0)	3	(1.00) .040	NATURAL	(12.0) .472		
	--108				4				RED	
	--208				5				GREEN	
	--308				6				BLUE	
	--408				NONE				PURPLE	
9	--009	(20.0)	(25.2)	(27.5)	3	(1.00) .040	NATURAL	(14.5) .571		
	--109				4				RED	
	--209				5				GREEN	
	--309				6				BLUE	
	--409				NONE				PURPLE	
10	-8010	(22.5)	(27.7)	(30.0)	4	(1.00) .040	NATURAL	(12.0) .472		
	-8110				4				NATURAL	
	--010				4				NATURAL	
	--110				5				RED	
	--210				6				GREEN	
11	--011	(25.0)	(30.2)	(32.5)	4	(1.00) .040	NATURAL	(14.5) .571		
	--111				5				RED	
	--211				6				GREEN	
	--411				NONE				PURPLE	
	12				--012				(27.5)	(32.7)
--112		6	RED							
--212		7	GREEN							
▼ 90647-412		NONE	PURPLE							

CCT SIZE	ENG. NUMBER	A	B ±(0.25) ±0.10	E ±(0.25) ±0.10	KEY		COLOUR I.D	G ±(0.20) ±.008	
					POSN. CCT.	F ±(0.10) ±.004			
13	90647-013	(30.0)	(35.2)	(37.5)	5	(1.00) .040	NATURAL	(14.5) .571	
	▲ --113				6				RED
	--213				7				GREEN
	--413				NONE				PURPLE
14	--014	(32.5)	(37.7)	(40.0)	6	(1.00) .040	NATURAL	(12.0) .472	
	--114				7				RED
	--414				NONE				PURPLE
15	--015	(35.00)	(40.2)	(42.5)	6	(1.00) .040	NATURAL	(14.5) .571	
	--415				NONE				PURPLE
	16				--016				(37.5)
--416		NONE	PURPLE						
17		--017	(40.0)	(45.2)	(47.5)	7	(1.00) .040	NATURAL	
	--417	NONE				PURPLE			
	18	--018				(42.5)			(47.7)
--418		NONE	PURPLE						
19		--019	(45.0)	(50.2)	(52.5)		8	(1.00) .040	
	--419	NONE				PURPLE			
	20	--020				(47.5)	(52.7)		(55.0)
▼ 90647-420		NONE	PURPLE						

ENG. NUMBER	H ±(0.1) ±.006
90647-1***	(2.50) .099
90647-3***	(2.50) .099
90647-8***	(2.50) .099



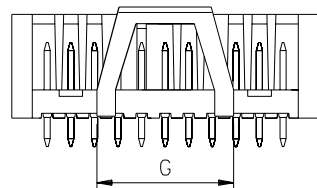
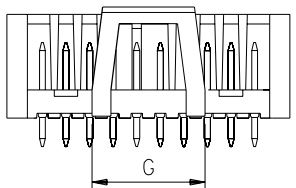
ASSEMBLY WITHOUT SNAP-IN PEGS

90647 - ****

ASSEMBLY WITH SNAP-IN = 1

ASSEMBLY WITHOUT SNAP-IN = 3

ASSEMBLY WITH SNAP-IN AND VOID OPTIONS = 8



CIRCUITS SIZES 6,8,10,12,14,16,18,20 CIRCUITS SIZES 7,9,11,13,15,17,19

MODIFIED DIMS
EC NO.E2004-1124
DRAWN:BYRNES 18/05/04
CHK: BMAGUIRE 30/05/04
APPRO: BMAGUIRE 30/05/04

QUALITY SYMBOLS
MAJOR =
CRITICAL =

GENERAL TOLERANCES: (UNLESS SPECIFIED)

	mm	INCH
4 PLACES	±0.15	±.006
3 PLACES	±0.25	±.010
2 PLACES	±0.38	±.015
1 PLACE	±0.51	±.020

ANGULAR: ±1/2°

DRAFT WHERE APPLICABLE MUST REMAIN WITHIN DIMENSIONS

SCALE: 1:1

DESIGN UNITS: mm INCH

THIRD ANGLE PROJECTION

DRAWN BY & DATE: DOS 94/05/18

CHECKED BY & DATE: BMAGUIRE 94/05/18

APPROVED BY & DATE: MWILHITE 94/05/18

CAD FILENAME: S90647X4.DGN

DIMENSIONS: mm INCH mm ONLY INCH ONLY

SHT: 40F4 REV: 0

TITLE: 2.5mm UF Hdr Wtb vt Ltc (6-20Ckt only)

MOLEX INCORPORATED

MATERIAL NO. SEE CHART DRAWING NO. SDA-90647 SHEET NO. 40F4

THIS DRAWING CONTAINS INFORMATION THAT IS PROPRIETARY TO MOLEX INCORPORATED AND SHOULD NOT BE USED WITHOUT WRITTEN PERMISSION.