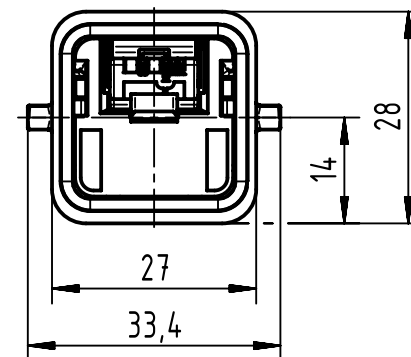
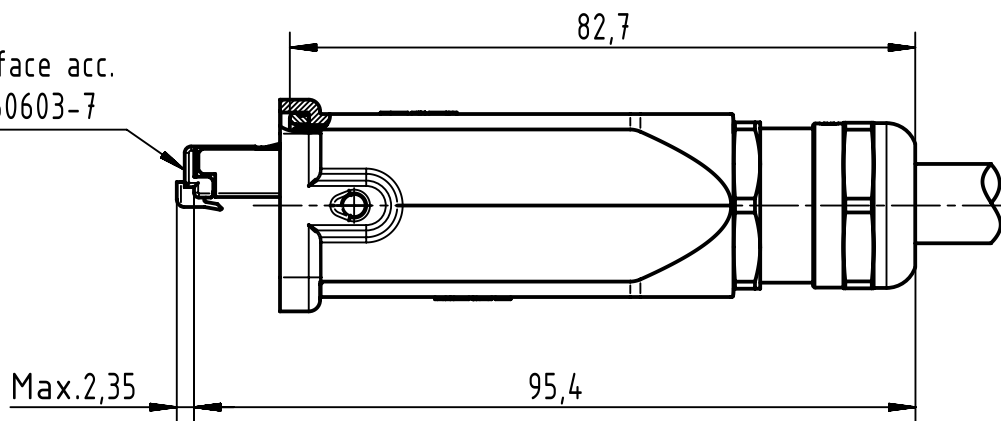


1 2 3 4 5 6

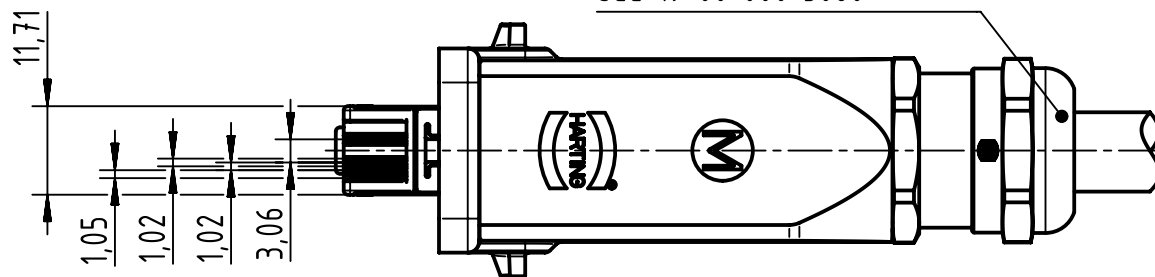
A

Mating face acc. to IEC 60603-7

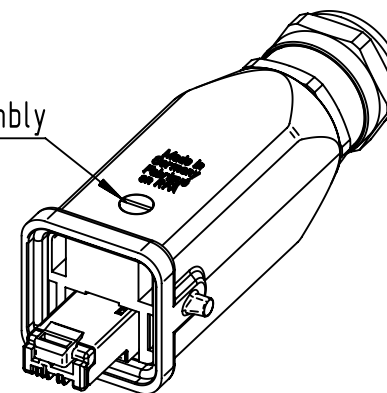


B

M20x1,5 metal sealing gland see 19 00 000 5080



M3 screw for assembly




C

Data contacts plating: 1,27 microns Au over Ni

Cable outer diameter  $\varnothing 6,5 - \varnothing 9,5$  mm  
 AWG 22-23 solid  
 AWG 22-24 stranded  
 with wires O.D. max. 1,6 mm

D

	All rights reserved Department EL PD	All Dimensions in mm Original Size DIN A4	Scale 1:1	Free size tol.	Ref. Sub.
	HARTING Electronics GmbH D-32339 Espelkamp	Created by PREOTU Inspected by PRIESTER Standardisation HOFFMANN	Date 2020-03-30 State Final Release	Title Han3A RJ45 Cat5 plug 4p IDC, AWG 26 Type TB Number 09451151110	Doc-Key / ECM-Nr. 100778719/UGD/000/A 500000169943 Rev. A Page 1/1